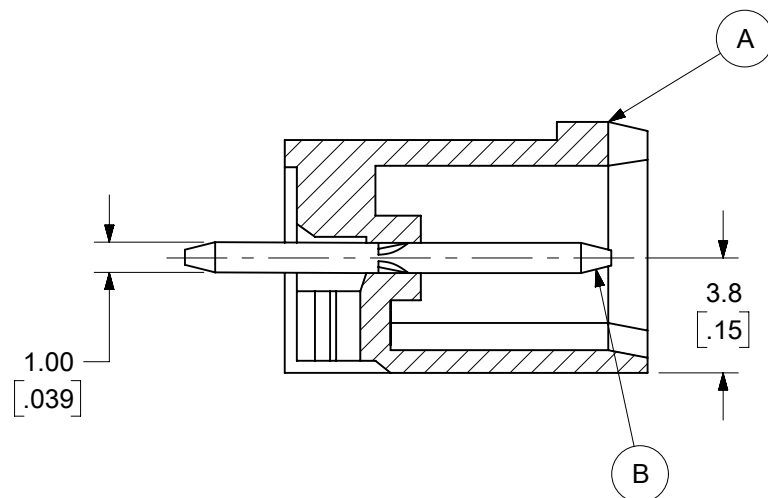
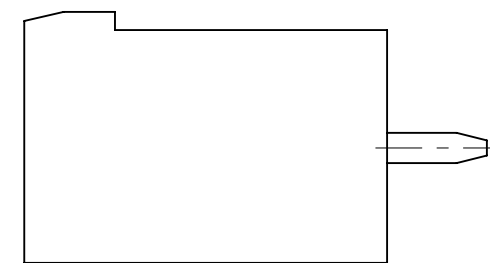
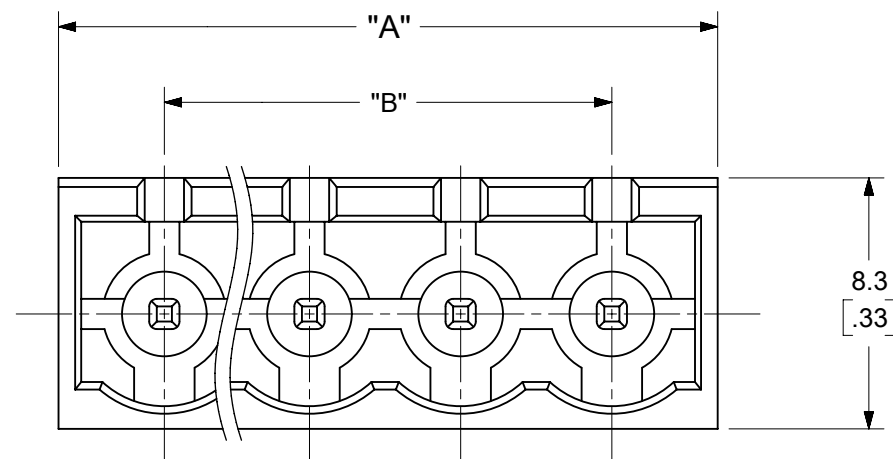
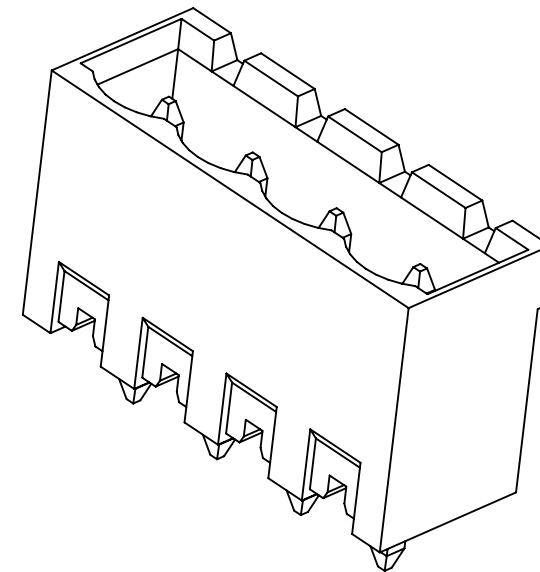
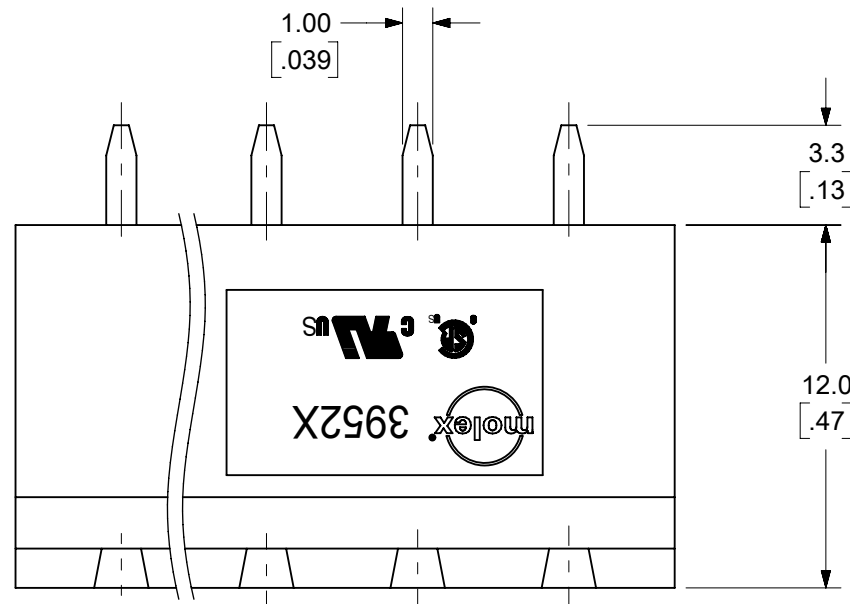


PCB LAYOUT



SPECIFICATIONS:

1. MATERIAL:

(A). BODY: PA66 (UL94-V0)

(B). PIN MATERIAL: BRASS

PIN FINISH:

TIN - 3 µm (118 µin) MIN MATTE TIN

OVER 2 µm (79 µin) MIN NICKEL

GOLD - 0.76 µm (30 µin) MIN GOLD IN

CONTACT AREA, 3 µm (118 µin) MIN

MATTE TIN IN SOLDER AREA.

2 µm (79 µin) MIN NICKEL UNDERPLATE

2. ELECTRICAL RATING: 300V, 18A (PER UL)

3. OPERATING TEMPERATURE: -40°C to +115°C.

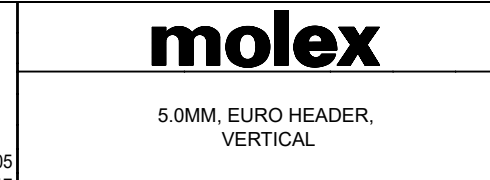
4. INSULATION RESISTANCE: DC 500V, 500MΩ.

5. DIELECTRIC WITHSTAND: AC 2500V FOR 1 MINUTE.

6. BREAKDOWN VOLTAGE : 4000V.

TOLERANCES			
MM	TOL	INCH	TOL
0-6	±0.25	0-.24	±.010
>6-30	±0.40	.24-1.18	±.016
>30-120	±0.50	1.18-4.76	±.020
>120	±0.80	>4.76	±.031

THIS DRAWING CONTAINS INFORMATION THAT IS PROPRIETARY TO MOLEX ELECTRONIC TECHNOLOGIES, LLC AND SHOULD NOT BE USED WITHOUT WRITTEN PERMISSION											
FUNCTIONAL SYMBOLS		DIMENSION UNITS		SCALE		CURRENT REV DESC: MODIFIED SPECIFICATIONS					
FA = 0		MM/INCH		4:1		<p>EC NO: 735568</p> <p>DRWN: ABENJAMINLW 2023/01/05</p> <p>CHKD: DACHAMMER 2023/01/17</p> <p>APPR: JFMURPHY 2023/01/27</p> <p>INITIAL REVISION:</p> <p>DRWN: LROTHAUS 2006/01/09</p> <p>APPR: JPAWLICK 2006/01/10</p>					
FE = 0		GENERAL TOLERANCES (UNLESS SPECIFIED)									
FD = 0		MM		INCH							
DIVISIONAL SYMBOLS		4 PLACES ± --- ± ---		3 PLACES ± --- ± SEE CHART							
		2 PLACES ± SEE CHART ± SEE CHART		1 PLACE ± SEE CHART ± ---		DOCUMENT NUMBER		DOC TYPE		DOC PART	
		0 PLACES ± --- ± ---		ANGULAR TOL ± ---		SD-39521-002		PSD		001	
		DRAFT WHERE APPLICABLE MUST REMAIN WITHIN DIMENSIONS		THIRD ANGLE PROJECTION		SERIES		CUSTOMER		SHEET NUMBER	
				B-SIZE		39521		GENERAL MARKET		1 OF 2	



DESCRIPTION	CIRCUIT SIZE	MATERIAL NUMBERS												DIMENSIONAL INFORMATION			
		BLACK						GREEN									
		100% TIN			30 u" GOLD			100% TIN			30 u" GOLD			DIM. "A"		DIM. "B"	
		PRINTING OPTIONS			PRINTING OPTIONS			PRINTING OPTIONS			PRINTING OPTIONS			mm	inch	mm	inch
		None	10AV	11AV	None	10AV	11AV	None	10AV	11AV	None	10AV	11AV				
5.0 MM, EURO HEADER, VERTICAL	2	395211002	395211302	395211402	395211502	395211802	395211902	395216002	395216302	395216402	395216502	395216802	395216902	12.00	.472	5.00	.197
5.0 MM, EURO HEADER, VERTICAL	3	395211003	395211303	395211403	395211503	395211803	395211903	395216003	395216303	395216403	395216503	395216803	395216903	17.00	.669	10.00	.394
5.0 MM, EURO HEADER, VERTICAL	4	395211004	395211304	395211404	395211504	395211804	395211904	395216004	395216304	395216404	395216504	395216804	395216904	22.00	.866	15.00	.591
5.0 MM, EURO HEADER, VERTICAL	5	395211005	395211305	395211405	395211505	395211805	395211905	395216005	395216305	395216405	395216505	395216805	395216905	27.00	1.063	20.00	.787
5.0 MM, EURO HEADER, VERTICAL	6	395211006	395211306	395211406	395211506	395211806	395211906	395216006	395216306	395216406	395216506	395216806	395216906	32.00	1.26	25.00	.984
5.0 MM, EURO HEADER, VERTICAL	7	395211007	395211307	395211407	395211507	395211807	395211907	395216007	395216307	395216407	395216507	395216807	395216907	37.00	1.457	30.00	1.181
5.0 MM, EURO HEADER, VERTICAL	8	395211008	395211308	395211408	395211508	395211808	395211908	395216008	395216308	395216408	395216508	395216808	395216908	42.00	1.654	35.00	1.378
5.0 MM, EURO HEADER, VERTICAL	9	395211009	395211309	395211409	395211509	395211809	395211909	395216009	395216309	395216409	395216509	395216809	395216909	47.00	1.850	40.00	1.575
5.0 MM, EURO HEADER, VERTICAL	10	395211010	395211310	395211410	395211510	395211810	395211910	395216010	395216310	395216410	395216510	395216810	395216910	52.00	2.047	45.00	1.772
5.0 MM, EURO HEADER, VERTICAL	11	395211011	395211311	395211411	395211511	395211811	395211911	395216011	395216311	395216411	395216511	395216811	395216911	57.00	2.244	50.00	1.969
5.0 MM, EURO HEADER, VERTICAL	12	395211012	395211312	395211412	395211512	395211812	395211912	395216012	395216312	395216412	395216512	395216812	395216912	62.00	2.441	55.00	2.165
5.0 MM, EURO HEADER, VERTICAL	13	395211013	395211313	395211413	395211513	395211813	395211913	395216013	395216313	395216413	395216513	395216813	395216913	67.00	2.638	60.00	2.362
5.0 MM, EURO HEADER, VERTICAL	14	395211014	395211314	395211414	395211514	395211814	395211914	395216014	395216314	395216414	395216514	395216814	395216914	72.00	2.835	65.00	2.559
5.0 MM, EURO HEADER, VERTICAL	15	395211015	395211315	395211415	395211515	395211815	395211915	395216015	395216315	395216415	395216515	395216815	395216915	77.00	3.031	70.00	2.756
5.0 MM, EURO HEADER, VERTICAL	16	395211016	395211316	395211416	395211516	395211816	395211916	395216016	395216316	395216416	395216516	395216816	395216916	82.00	3.228	75.00	2.953
5.0 MM, EURO HEADER, VERTICAL	17	395211017	395211317	395211417	395211517	395211817	395211917	395216017	395216317	395216417	395216517	395216817	395216917	87.00	3.425	80.00	3.150
5.0 MM, EURO HEADER, VERTICAL	18	395211018	395211318	395211418	395211518	395211818	395211918	395216018	395216318	395216418	395216518	395216818	395216918	92.00	3.622	85.00	3.346
5.0 MM, EURO HEADER, VERTICAL	19	395211019	395211319	395211419	395211519	395211819	395211919	395216019	395216319	395216419	395216519	395216819	395216919	97.00	3.819	90.00	3.543
5.0 MM, EURO HEADER, VERTICAL	20	395211020	395211320	395211420	395211520	395211820	395211920	395216020	395216320	395216420	395216520	395216820	395216920	102.00	4.016	95.00	3.740
5.0 MM, EURO HEADER, VERTICAL	21	395211021	395211321	395211421	395211521	395211821	395211921	395216021	395216321	395216421	395216521	395216821	395216921	107.00	4.213	100.00	3.937
5.0 MM, EURO HEADER, VERTICAL	22	395211022	395211322	395211422	395211522	395211822	395211922	395216022	395216322	395216422	395216522	395216822	395216922	112.00	4.409	105.00	4.134
5.0 MM, EURO HEADER, VERTICAL	23	395211023	395211323	395211423	395211523	395211823	395211923	395216023	395216323	395216423	395216523	395216823	395216923	117.00	4.606	110.00	4.331
5.0 MM, EURO HEADER, VERTICAL	24	395211024	395211324	395211424	395211524	395211824	395211924	395216024	395216324	395216424	395216524	395216824	395216924	122.00	4.803	115.00	4.528

DOCUMENT STATUS		P1	RELEASE DATE	2023/01/27	16:26:20
-----------------	--	----	--------------	------------	----------

TOLERANCES			
MM	TOL	INCH	TOL
0-6	±0.25	0-.24	±.010
>6-30	±0.40	.24-1.18	±.016
>30-120	±0.50	1.18-4.76	±.020
>120	±0.80	>4.76	±.031

FUNCTIONAL SYMBOLS	THIS DRAWING CONTAINS INFORMATION THAT IS PROPRIETARY TO MOLEX ELECTRONIC TECHNOLOGIES, LLC AND SHOULD NOT BE USED WITHOUT WRITTEN PERMISSION		
$\nabla_A = 0$ $\nabla_B = 0$ $\nabla_C = 0$	DIMENSION UNITS	SCALE	CURRENT REV DESC: MODIFIED SPECIFICATIONS
	MM/INCH	2:1	
	GENERAL TOLERANCES (UNLESS SPECIFIED)		
DIVISIONAL SYMBOLS	4 PLACES	± --- ± ---	EC NO: 735568 DRWN: ABENJAMINLW 2023/01/05 CHKD: DACHAMMER 2023/01/17 APPR: JFMURPHY 2023/01/27 INITIAL REVISION: DRWN: LROTHAUS 2006/01/09 APPR: JPAWLICK 2006/01/10
	3 PLACES	± --- ± ---	
	2 PLACES	± --- ± ---	
	1 PLACE	± --- ± ---	
	0 PLACES	± --- ± ---	
	ANGULAR TOL	± ---	
DRAFT WHERE APPLICABLE MUST REMAIN WITHIN DIMENSIONS		THIRD ANGLE PROJECTION	DRAWING SERIES MATERIAL NUMBER CUSTOMER SHEET NUMBER
			B-SIZE 39521 SEE CHART GENERAL MARKET 2 OF 2

		5.0MM, EURO HEADER, VERTICAL	
		PRODUCT CUSTOMER DRAWING	
DOCUMENT NUMBER		DOC TYPE	DOC PART
SD-39521-002		PSD	001
REVISION		A3	