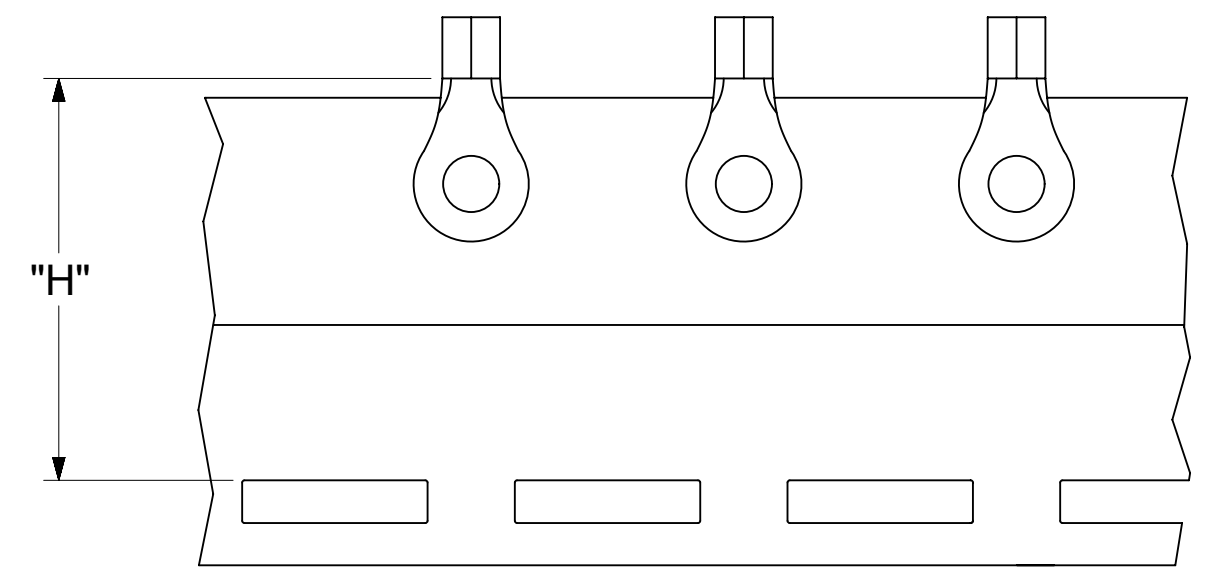
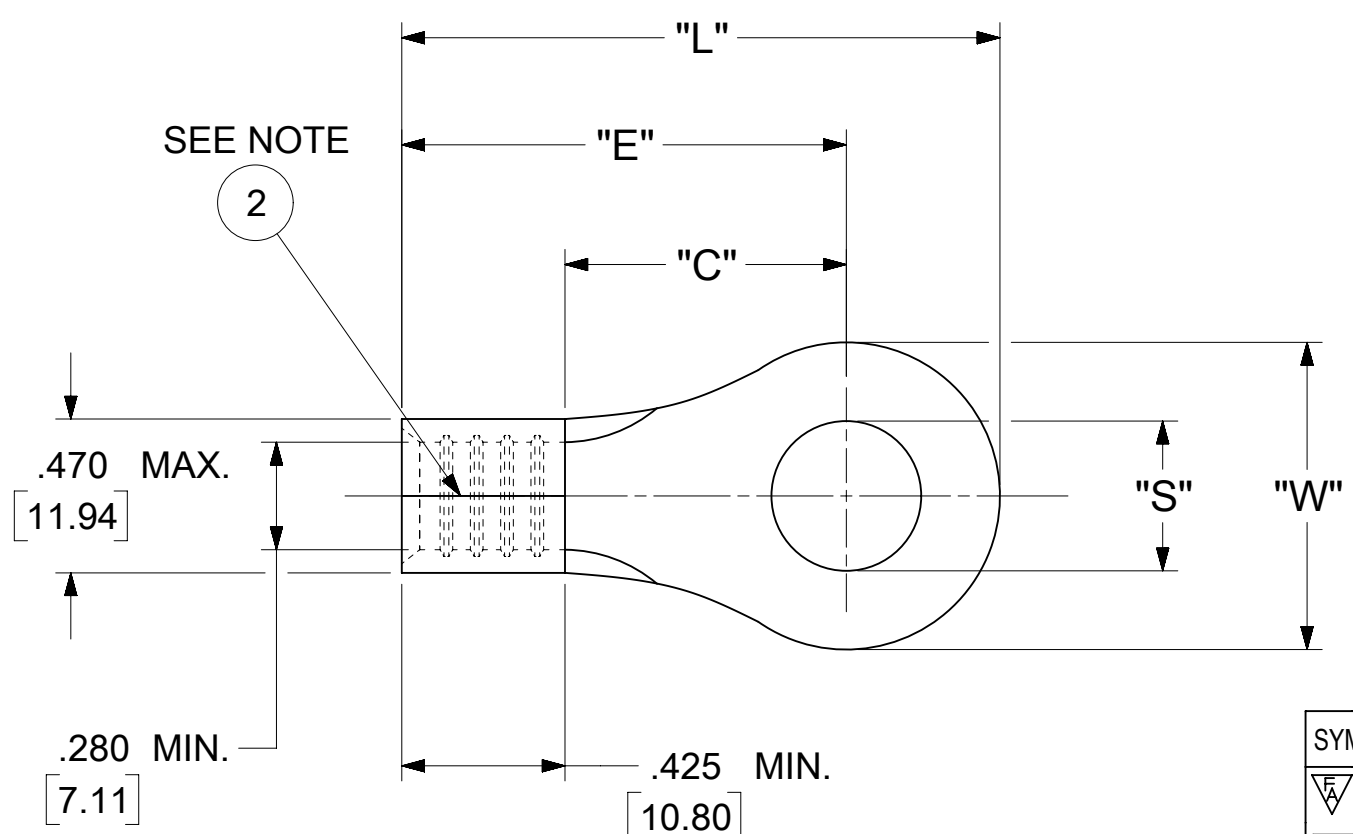


LOOSE PIECE		TAPE MOUNTED		SPECIFICATIONS						
MATERIAL NUMBER	ENGINEERING NUMBER	MATERIAL NUMBER	ENGINEERING NUMBER	STUD SIZE	"S" ±.005 [0.13]	"W"	"C" MIN.	"E" MAX.	"L" MAX.	"H"
191930254	F-366-10	---	---	10	.198 [5.03]	.665±.013 [16.89±0.33]	.520 [13.21]	1.028 [26.11]	1.385 [35.18]	1.172 [29.77]
191930258	F-366-12	---	---	12	.515 [13.08]					
191930261	F-366-14	191930263	F-366-14T	14	.265 [6.73]					
191930264	F-366-38	191930266	F-366-38T	38	.390 [9.91]					
191930267	F-366-56	191930269	F-366-56T	56	.328 [8.33]					
191930270	F-366-76	---	---	76	.453 [11.51]					
191930273	F-367-10	191930274	F-367-10T	10	.198 [5.03]	.475±.010 [12.06±0.25]	.520 [13.21]	1.028 [26.11]	1.288 [32.72]	1.172 [29.77]
191930275	F-367-14	191930277	F-367-14T	14	.265 [6.73]					
191930278	F-367-56	---	---	56	.328 [8.33]					
191930281	F-369-12	---	---	12	.515 [13.08]	.885±.010 [22.48±0.25]	.989 [25.12]	1.497 [38.02]	1.970 [50.04]	---
191930282	F-369-14	---	---	14	.265 [6.73]					
191930283	F-369-38	---	---	38	.390 [9.91]					
191930284	F-369-56	---	---	56	.328 [8.33]					
191930285	F-369-58	---	---	58	.656 [16.66]					
191930286	F-369-76	---	---	76	.453 [11.51]					
191930287	F-370-12	---	---	12	.515 [13.08]	1.260±.010 [32.00±0.25]	.989 [25.12]	1.497 [38.02]	2.158 [54.81]	---
191930288	F-370-14	---	---	14	.265 [6.73]					
191930289	F-370-34	---	---	34	.781 [19.84]					
191930291	F-370-38	---	---	38	.390 [9.91]					
191930292	F-370-56	---	---	56	.328 [8.33]					
191930293	F-370-58	---	---	58	.656 [16.66]					
191930294	F-370-76	---	---	76	.453 [11.51]					

- NOTES:
- MATERIAL: COPPER  
PLATING: ELECTRO-TIN (.0003 MIN).
  - BRAZED SEAM
  - WIRE SIZE: 4 AWG  
25 MM<sup>2</sup>
  - "UL" LISTING #E32244  
"CSA" LISTING #18689
  - ALL DIMENSIONS IN INCHES/[MM].
  - PARTS ARE ROHS COMPLIANT.
  - DIMS. SHOWN ARE FOR REFERENCE ONLY.



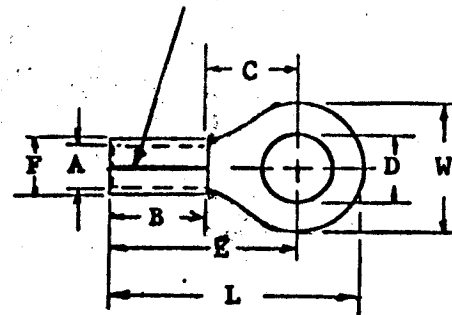
SYMBOLS	THIS DRAWING CONTAINS INFORMATION THAT IS PROPRIETARY TO MOLEX ELECTRONIC TECHNOLOGIES, LLC AND SHOULD NOT BE USED WITHOUT WRITTEN PERMISSION			
	DIMENSION UNITS	SCALE	CURRENT REV DESC: MIGRATION TO ECTR/NX	
▽ = 0	INCH/MM	NTS		
▽ = 0	GENERAL TOLERANCES (UNLESS SPECIFIED)			
▽ = 0		MM	INCH	
▽ = 0	4 PLACES	± ---	± ---	EC NO: 620820
▽ = 0	3 PLACES	± ---	± .005	DRWN: ABENJAMINLW 2019/07/09
▽ = 0	2 PLACES	± 0.13	± .01	CHK'D: GROJAS01 2019/07/17
▽ = 0	1 PLACE	± 0.25	± ---	APPR: JMACNEIL 2019/08/06
▽ = 0	0 PLACES	± ---	± ---	INITIAL REVISION:
▽ = 0	ANGULAR TOL	± 0.5 °		DRWN: LEM 1970/03/02
▽ = 0	DRAFT WHERE APPLICABLE MUST REMAIN WITHIN DIMENSIONS			APPR: JMACNEIL 2019/08/06
▽ = 0	THIRD ANGLE PROJECTION	DRAWING	SERIES	DOCUMENT NUMBER
		C-SIZE	19193	191930254
				DOC TYPE
				PSD
				DOC PART
				000
				REVISION
				A
				MATERIAL NUMBER
				SEE TABLE
				CUSTOMER
				GENERAL MARKET
				SHEET NUMBER
				1 OF 1

MATERIAL: Copper  
 PLATING: Electro-Tin  
 STUD SIZE: "D" ±.005

- 10 - .198
- 14 - .265
- 56 - .328
- 38 - .390
- 76 - .453
- 12 - .515
- 58 - .656
- 34 - .781
- 209 = .209
- 413 = .413

VERSAKRIMP

BRAZE SEAM



Customer Dimensions

Part No.	Wire Size	"W"	"C" Min	"E" Max	"B" Min	"L" Max	"A" Min	Stock Thkns (A)	"F" Max	AVAILABLE STUD SIZE
F-366-	#4	.652 .678	.520	1.028	.425	1.385	.280	REF. .075	.470	209, 413 10, 14, 56, 38, 76, 12,
F-367-	#4	.465 .485	.520	1.028	.425	1.288	.280	REF. .075	.470	10, 14, 56
F-369-	#4	.875 .895	.989	1.497	.425	1.970	.280	REF. .075	.470	14, 56, 38, 76, 12, 58
F-370-	#4	1.250 1.270	.989	1.497	.425	2.158	.280	REF. .075	.470	14, 56, 38, 76, 12, 58, 34

For parts to be on tape add "T" at end of part number.

REVISION	SCALE: NONE	DATE
	DRWN. BY: LEM	3/2/70
	CHKD. BY:	
	APPRD. BY:	
A	DRAWING NO.:	



TITLE:  
 "F" RING TONGUE TERMINAL

DIMENSIONAL TOLERANCE UNLESS OTHERWISE SPECIFIED		
FRAC.	DEC.	ANG.
±	±	±