

W48-X-XX-X-X-X-X

SWITCH FUNCTION CODE	SWITCH FUNCTION DESCRIPTION
E	MOMENTARY SOLDER TERMINAL
F	MAINTAIN SOLDER TERMINAL
G	MOMENTARY P.C. TERMINAL
H	MAINTAIN P.C. TERMINAL

BEZEL CODE	BEZEL DESCRIPTION
RB	ROUND, BLACK
SB	SQUARE, BLACK (ONLY FOR BUSHING MOUNTING)

ILLUMINATION CODE	LED COLOR DESCRIPTION
R	RED
A	AMBER
Y	YELLOW
G	GREEN
B	BLUE
W	WHITE
RG	RED/BLUE
RB	RED/GREEN

BUTTON CODE	BUTTON COLOR DESCRIPTION
BK	BLACK
RD	RED
GR	GREEN
BL	BLUE
YL	YELLOW
OR	ORANGE
WH	WHITE
PK	POWER/STANDBY BLACK (ONLY FOR ROUND BEZEL & BUSHING MOUNT)

MOUNTING CODE	MOUNTING STYLE DESCRIPTION
B	BUSHING
F	SNAP FIT (ONLY FOR ROUND BEZEL)

LED VOLTAGE CODE	LED VOLTAGE DESCRIPTION
IF BLANK	SEE LED SPEC.
05	5V (SEE NOTE3)

MECHANICAL CHARACTERISTICS:

SWITCH CIRCUITRY: SPST-NO-DB
 SWITCH ACTION: MOMENTARY AND MAINTAINED (PER CHART)
 BUTTON TRAVEL: 2.3mm NOMINAL
 OPERATING FORCE: 3N [306g] NOMINAL
 PANEL THICKNESS:
 BUSHING MOUNT: 0.5 - 3.0mm
 SNAP MOUNT: 1mm/2mm/3mm ±0.05
 CONTACTS: GOLD PLATED
 NUT TORQUE FORCE: MAX 6 kgf-cm [5.2 LB-in]

ENVIRONMENTAL SPECIFICATIONS:
 ACTUATOR INGRESS PROTECTION: IP67

LIFE (MECHANICAL):
 MOMENTARY: 1,000K CYCLES
 MAINTAINED : 50K CYCLES

OPERATING TEMPERATURE:
 MOMENTARY: -40 °C to +85 °C
 MAINTAINED: -40 °C to +65 °C

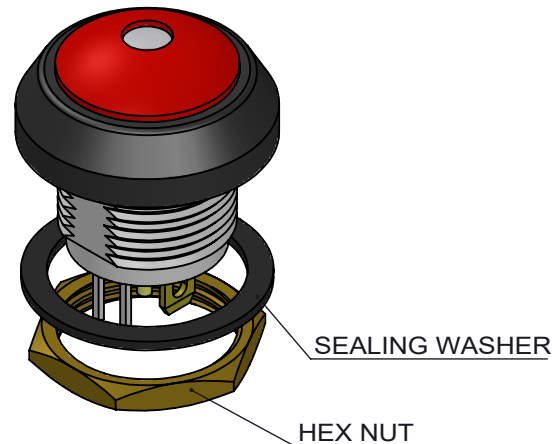
ELECTRICAL SPECIFICATIONS:
 CURRENT RATINGS:
 MOMENTARY: 10mA@12VDC, 1,000K CYCLES NOMINAL
 MAINTAINED : 50K CYCLES NOMINAL

DIELECTRIC STRENGTH: 1,000VAC
 INSULATION RESISTANCE: 1G OHM
 CONTACT RESISTANCE:
 50m OHMS MAX INITIAL

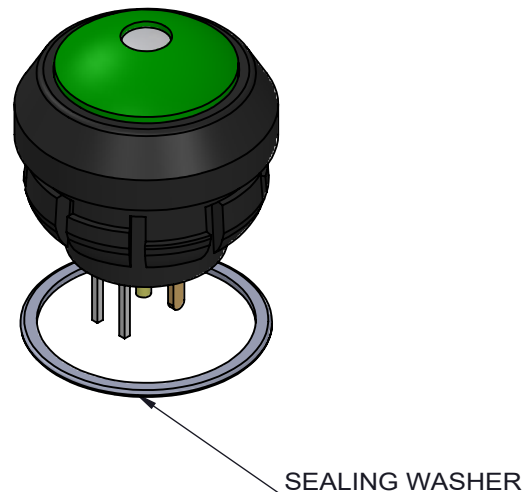
- NOTE**
- CURRENT LIMITING RESISTOR IS REQUIRED TO LIMIT LED FORWARD CURRENT TO 20mA
 - SUPPLY HEX NUT AND SEALING WASHER BULK PACKED.
 - INNER RESISTOR ONLY FOR LED :RED / BLUE / GREEN / WHITE.

LED SPECIFICATION					
LED CODE	LED SINGLE COLOR	Vf(VDC)	If (mA)	CIRCUITRY	
		TYP.			
R	RED	2.0	20		
A	AMBER	2.0	20		
Y	YELLOW	2.0	20		
G	GREEN	3.0	20		
B	BLUE	3.1	20		
W	WHITE	3.3	20		
LED CODE	BICOLOR LED		Vf(VDC)	If (mA)	CIRCUITRY
	COLOR1	COLOR2	TYP.		
RB	RED	BLUE	2.0(RED) 3.3(BLUE)	20	
RG	RED	GREEN	2.0(RED) 3.4(GREEN)	20	

NOTE:
 Hand Soldering Temperature (4mm above from Body) : 320°C for 3 seconds

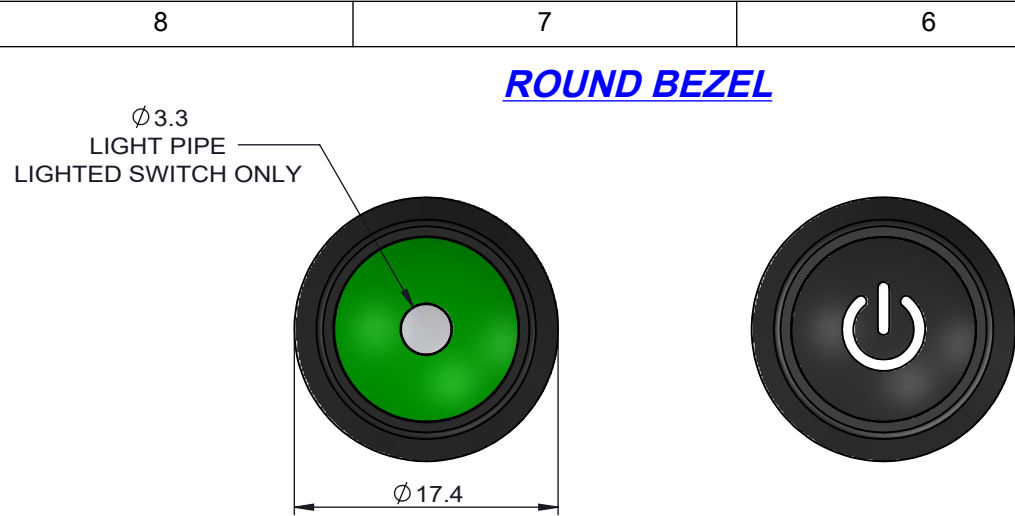


BUSHING TYPE

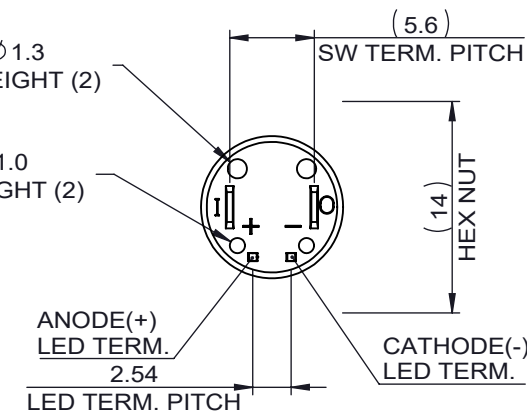
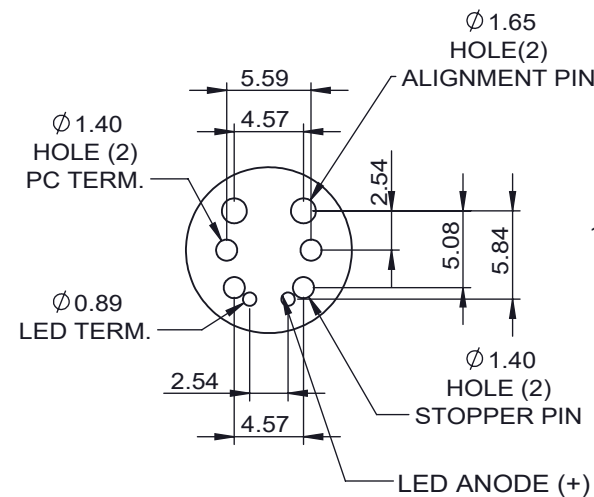
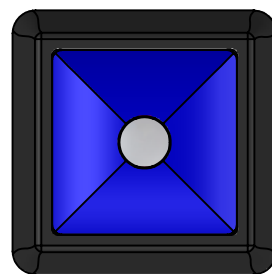


SNAP FIT TYPE

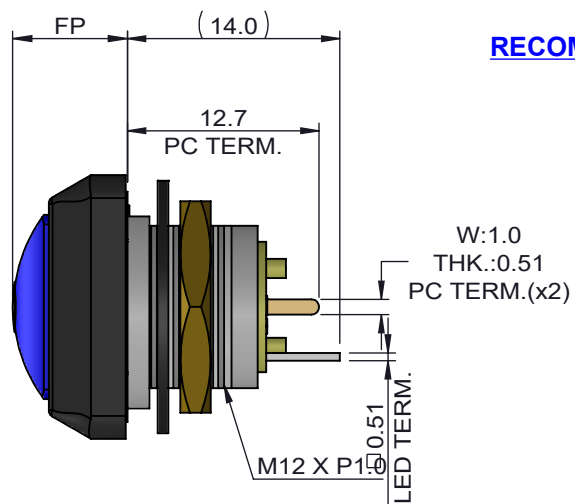
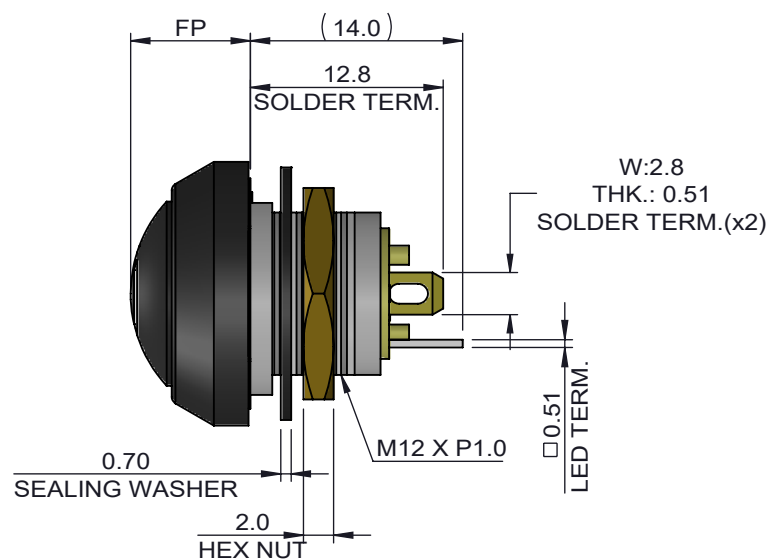
DWG TYPE SALES DRAWING	DRAWN <i>K.Y.</i>	TOLERANCES: UNLESS OTHERWISE NOTED X.X ± 0.5 X.XX ± 0.25 ANGULAR ± 5°	DWG TITLE W48-MECHANICAL MOMENTARY/MAINTAINED, CENTER SPOT/POWER-STANDBY ILLUMINATION								
STATUS RELEASE	REVIEW	APPROVED <i>v.w.</i>	DWG NO. W48-E,F,G,H								
<small>This document is the intellectual property of ITW Electronic Business Asia Co., Limited and may contain confidential, proprietary, privileged information protected by law. Neither this document nor any information it contains can be reproduced, transformed to any other format, or distributed, without written permission by ITW Electronic Business Asia Co., Limited. 本文件為安達維百電股份有限公司之智慧財產，非經許可不得翻取、複製、轉變成其他形式使用或散佈。</small>			DATE 2010/3/11	THIRD ANGLE PROJECTION 	REF: ---	<input checked="" type="checkbox"/> 管制文件 <input type="checkbox"/> 非管制文件	Unit mm	SCALE	REV 1	RoHS Compliant	SHEET 1 OF 3



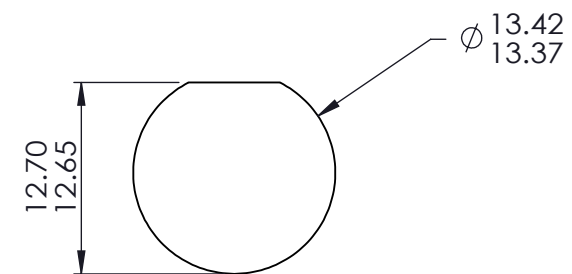
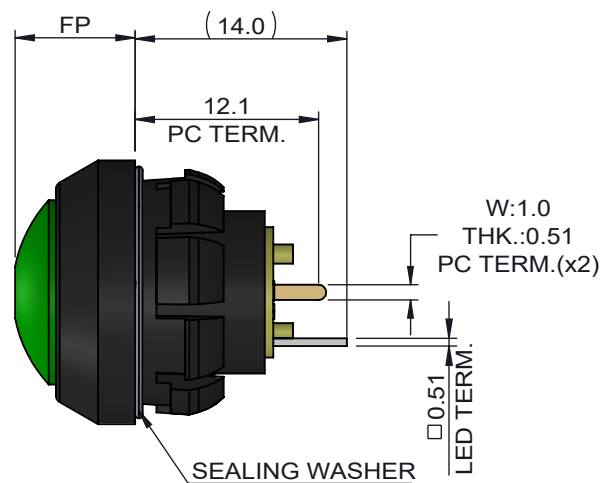
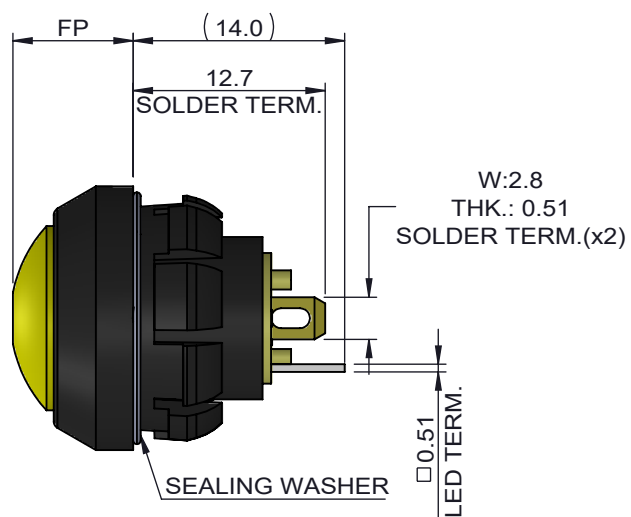
**SQUARE BEZEL
(ONLY FOR BUSHING MONTING)**



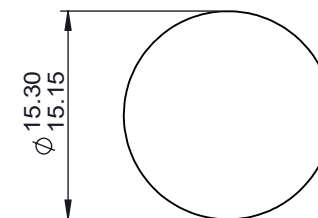
BUSHING MOUNT



SNAP FIT MOUNT



PANEL THICKNESS: 0.5-3mm



PANEL THICKNESS: 1.0mm , 2.0mm , 3.0mm+0.5

SWITCH ACTION	BUTTON TYPE	FP(mm)
MOMENTARY	ILLUMINATION LIGHT PIPE BUTTON	7.6±0.5
MAINTAINED	ILLUMINATION LIGHT PIPE BUTTON	6.0±0.5

DWG TYPE SALES DRAWING	DRAWN <i>K.Y.</i>	TOLERANCES: UNLESS OTHERWISE NOTED X.X ± 0.5 X.XX ± 0.25 ANGULAR ± 5°
STATUS RELEASE	REVIEW	
This document is the intellectual property of ITW Electronic Business Asia Co., Limited and may contain confidential, proprietary, privileged information protected by law. Neither this document nor any information it contains can be reproduced, transformed to any other format, or distributed, without written permission by ITW Electronic Business Asia Co., Limited. 本文件為安夫維百電器股份有限公司之智慧財產，非經許可不得翻取、複製、轉變成其他形式使用或散佈		THIRD ANGLE PROJECTION
DATE 2010/3/11	APPROVED <i>v.w.</i>	REF: ---

DWG TITLE W48-MECHANICAL MOMENTARY/MAINTAINED, CENTER SPOT/POWER-STANDBY ILLUMINATION			
DWG NO. W48-E,F,G,H			
<input checked="" type="checkbox"/> 管制文件	Unit mm	SCALE	REV 1
<input type="checkbox"/> 非管制文件			



RoHS Compliant SHEET 2 OF 3