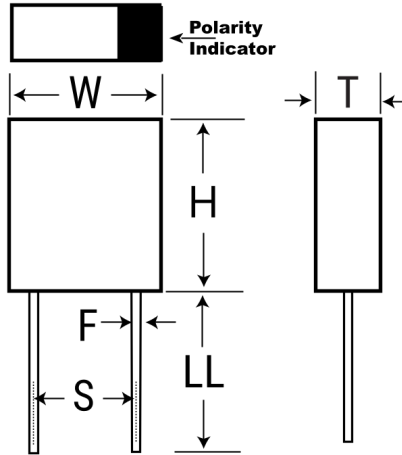


T370F226M035AS7301

Aliases (T370F226M035ASTR)

T370, Tantalum, MnO₂ Tantalum, Commercial Grade, 22 uF, 20%, 35 VDC,
Lead Spacing = 7.62mm



Click [here](#) for the 3D model.

Dimensions

W	9.53mm MAX
H	12.07mm MAX
T	3.81mm MAX
S	7.62mm +/-0.64mm
LL	19.1mm MIN
F	0.41mm MAX

Packaging Specifications

Packaging T&R, 305mm

General Information

Series	T370
Dielectric	MnO ₂ Tantalum
Style	Radial Molded
Description	Radial, Solid Tantalum, Micro Miniature
Features	Micro Miniature
RoHS	No
Prop 65	⚠ WARNING: Cancer and reproductive harm - http://www.p65warnings.ca.gov .
Termination	Lead (SnPb)
AEC-Q200	No
Construction	Molded

Specifications

Capacitance	22 uF
Capacitance Tolerance	20%
Voltage DC	35 VDC (85C), 23 VDC (125C), 0.35 VDC (125C Reverse)
Temperature Range	-55/+125°C
Dissipation Factor	6%
Leakage Current	9 uA