

LTM4705
20V_{IN}, Dual 5A Step-Down DC/DC
µModule Regulator

DESCRIPTION

Demonstration circuit 3051A features the **LTM®4705**, a high efficiency dual 5A or single 10A µModule® DC/DC regulator in a compact and low profile 6.25mm × 7.5mm × 3.22mm BGA package. The LTM4705 can take 3.1V to 20V input and generate 0.6V to 5.5V output (step-down only). The DC3051A demo board is designed to take 6V_{IN} to 20V_{IN} to dual 5A jumper selectable outputs. The board operates by default at a fixed 1MHz and can be synchronized from 1MHz to 3MHz via the MODE/SYNC pin. With its high switching frequency and current

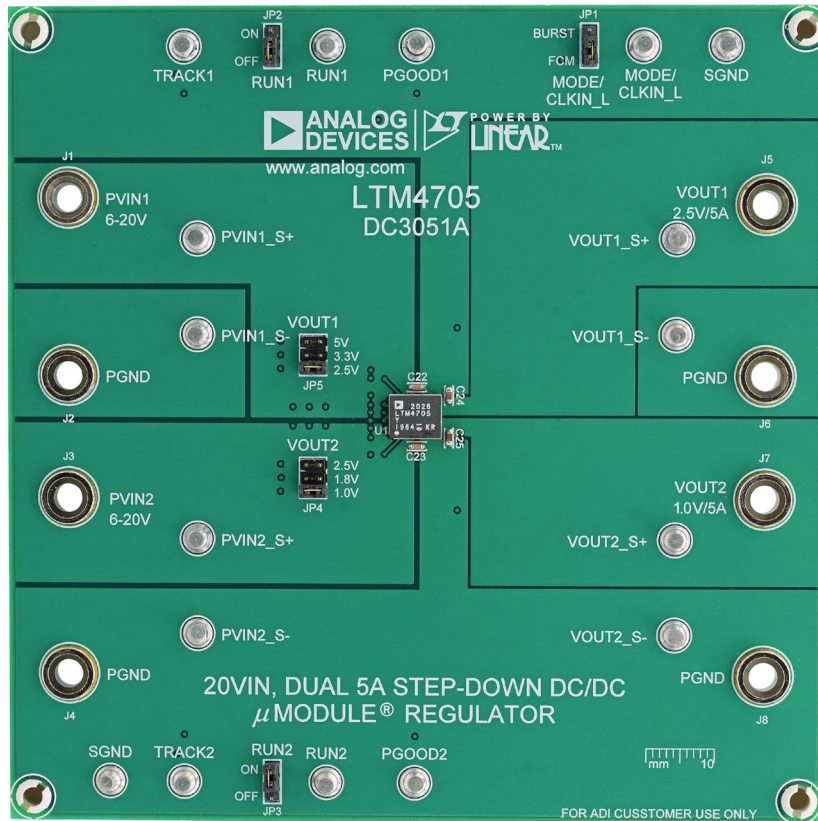
mode architecture, a fast transient response to line and load changes is possible without sacrificing stability. The DC3051A can be used in forced continuous mode or pulse-skipping mode for low noise, or in Burst Mode® operation for high efficiency at light loads. Please see the LTM4705 data sheet for more detailed information.

It is recommended to read the data sheet for the LTM4705 prior to making any changes to the DC3051A.

Design files for this circuit board are available.

All registered trademarks and trademarks are the property of their respective owners.

BOARD PHOTO



PERFORMANCE SUMMARY Specifications are at $T_A = 25^\circ\text{C}$

PARAMETER	CONDITIONS/NOTES	MIN	TYP	MAX	VALUE
Input Voltage Range		6		20	V
Output Voltage, V_{OUT}	$V_{IN} = 6V - 20V$, $I_{OUT} = 0A$ to $5A$		$V_{OUT1} = 2.5$ $V_{OUT2} = 1$		V V
Maximum Output Current, I_{OUT}	$V_{IN} = 6V - 20V$		5		A
Typical Efficiency	$V_{IN} = 12V$, $V_{OUT1} = 2.5V$, $I_{OUT} = 5A$ $V_{IN} = 12V$, $V_{OUT2} = 1.0V$, $I_{OUT} = 5A$		89.5 79		% %
Peak Efficiency	$V_{IN} = 12V$, $V_{OUT1} = 2.5V$ $V_{IN} = 12V$, $V_{OUT2} = 1.0V$		92 84.5		% %
Default Switching Frequency			1		MHz

QUICK START PROCEDURE

Demonstration circuit 3051A provides an easy way to evaluate the performance of the LTM4705. Please refer to Figure 1 for test setup connections and follow the procedure below.

1. With power off, connect the input power supply to V_{IN} (6V to 20V) and GND (input return).
2. Connect the output loads between V_{OUT} and GND (Initial load: no load). Refer to Figure 1.
3. Connect the DVMs to the input and output.
4. Check the default jumper position: JP2 (RUN1): OFF; JP3 (RUN2): OFF.
5. Turn on the input power supply and adjust voltage to 6V to 20V;
NOTE: Make sure that the input voltage does not exceed 22V.
6. Change the following jumpers' position: JP2: ON; JP3: ON.
7. Check for the proper output voltages from V_{OUT_S+} to V_{OUT_S-} turrets.

8. Once the proper output voltage is established, adjust the loads within the operating range and measure the efficiency, output ripple voltage and other parameters.
9. After completing all tests, adjust the load to 0A, power off the input power supply.

NOTES:

1. When measuring the output or input voltage ripple, do not use the long ground lead on the oscilloscope probe. See Figure 2 for the proper scope probe technique. Short, stiff leads need to be soldered to the (+) and (-) terminals of an output capacitor. The probe's ground ring needs to touch the (-) lead and the probe tip needs to touch the (+) lead.
2. If the 5V output option is selected, it is recommended to have a minimum V_{IN} of 6.5V to meet the minimum off-time requirement. Refer to the LTM4705 data sheet for more information.
3. The two V_{OUT} rails can be paralleled through some modification and adding some jumper resistors. See the schematic for details.

QUICK START PROCEDURE

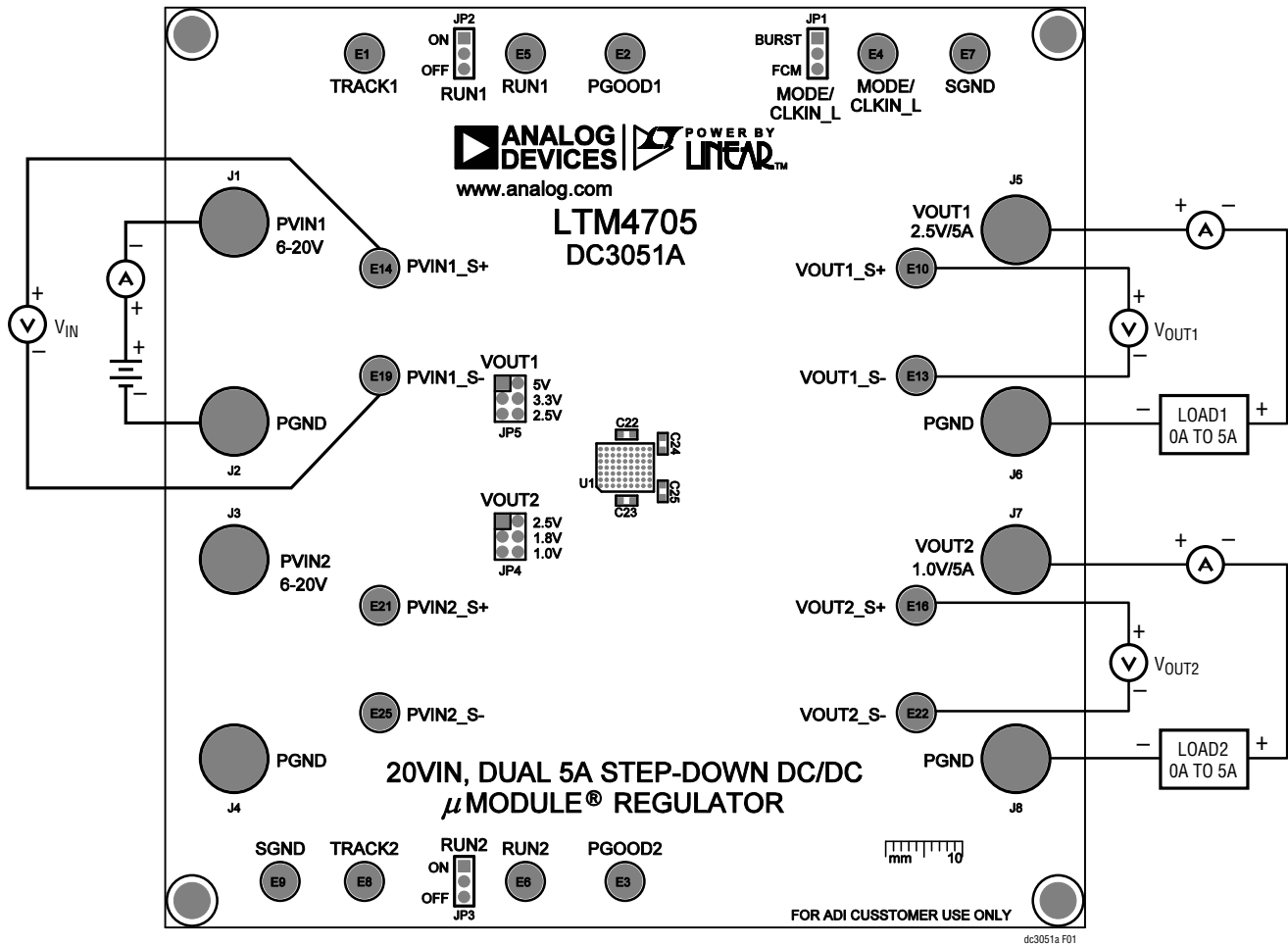


Figure 1. Proper Measurement Equipment Setup

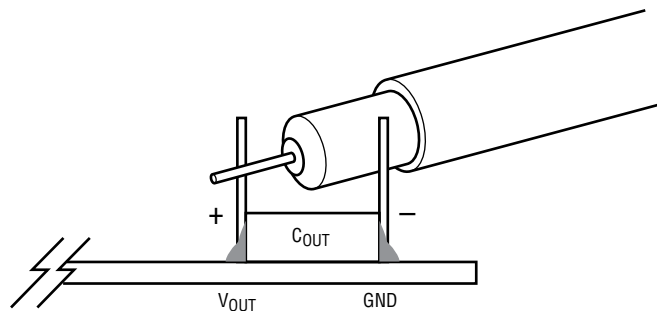


Figure 2. Measuring Output Voltage Ripple

TYPICAL TEST RESULTS

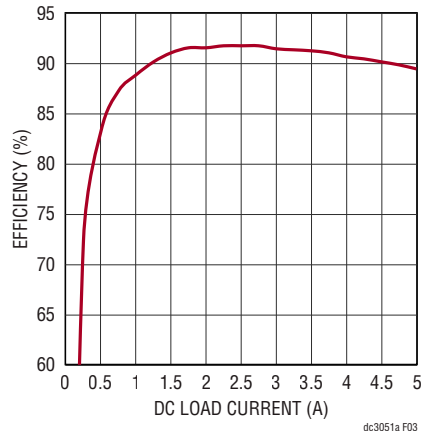


Figure 3. Efficiency vs Load Current at $V_{IN} = 12V$, $V_{OUT1} = 2.5V$, $f_{SW} = 1MHz$, FCM Mode

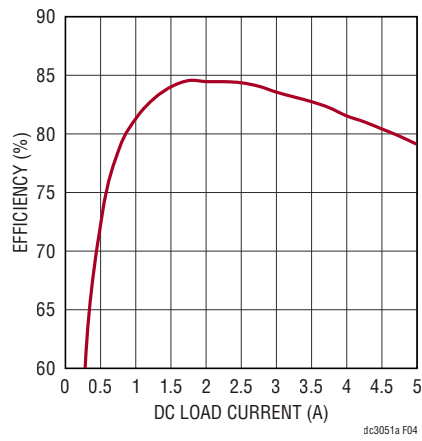


Figure 4. Efficiency vs Load Current at $V_{IN} = 12V$, $V_{OUT2} = 1.0V$, $f_{SW} = 1MHz$, FCM Mode

TYPICAL TEST RESULTS

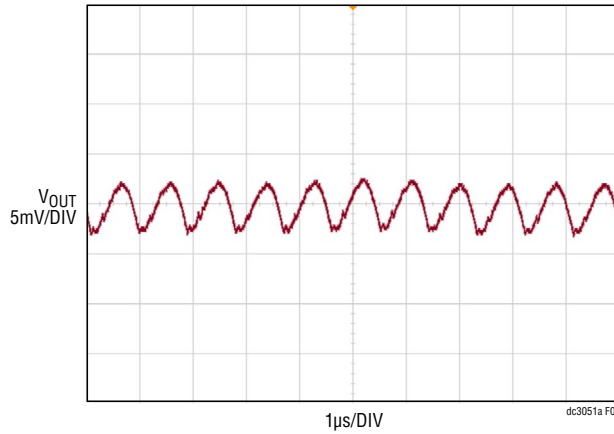


Figure 5. Output Voltage Ripple at $V_{IN} = 12V$, $V_{OUT1} = 2.5V$, $I_{OUT1} = 5A$, $f_{SW} = 1MHz$

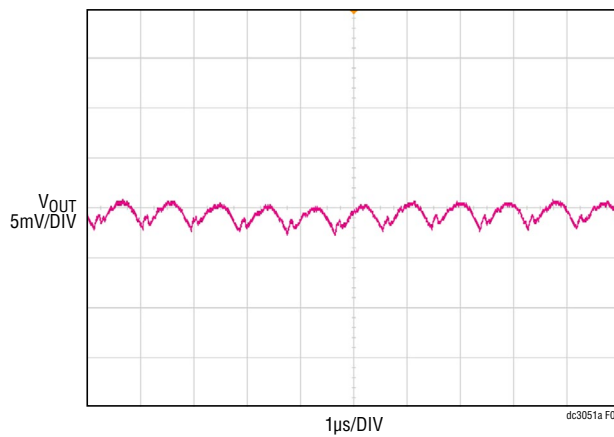


Figure 6. Output Voltage Ripple at $V_{IN} = 12V$, $V_{OUT2} = 1.0V$, $I_{OUT2} = 5A$, $f_{SW} = 1MHz$

TYPICAL TEST RESULTS

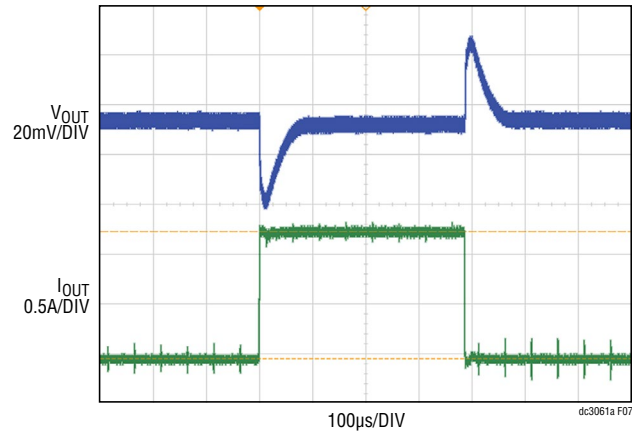


Figure 7. Load Step at $V_{IN} = 12V$, $V_{OUT1} = 2.5V$, $f_{SW} = 1MHz$

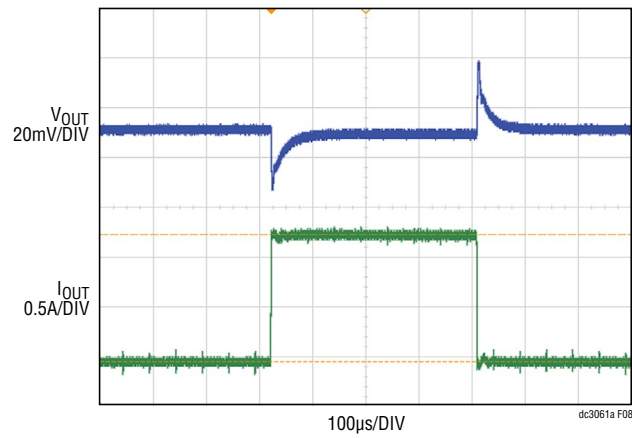


Figure 8. Load Step at $V_{IN} = 12V$, $V_{OUT2} = 1.0V$, $f_{SW} = 1MHz$

TYPICAL TEST RESULTS

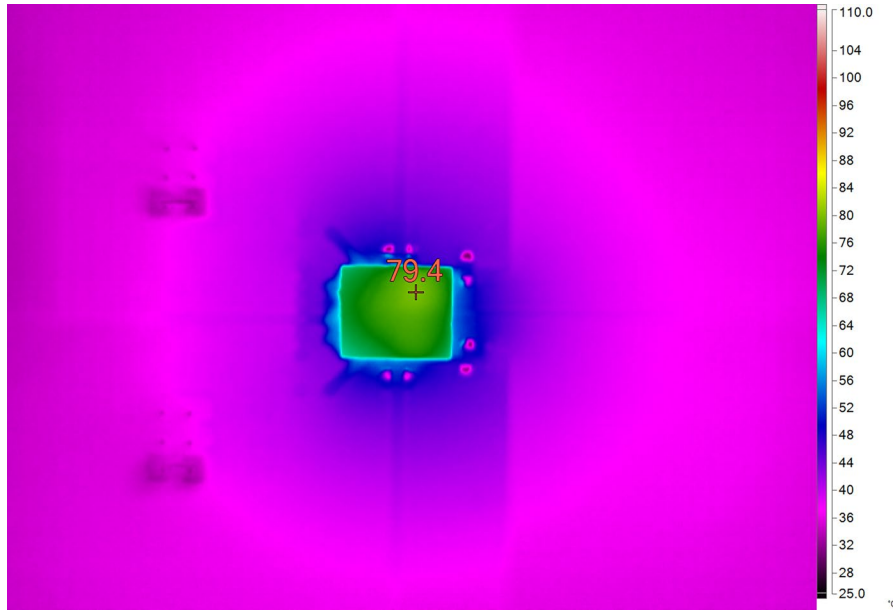


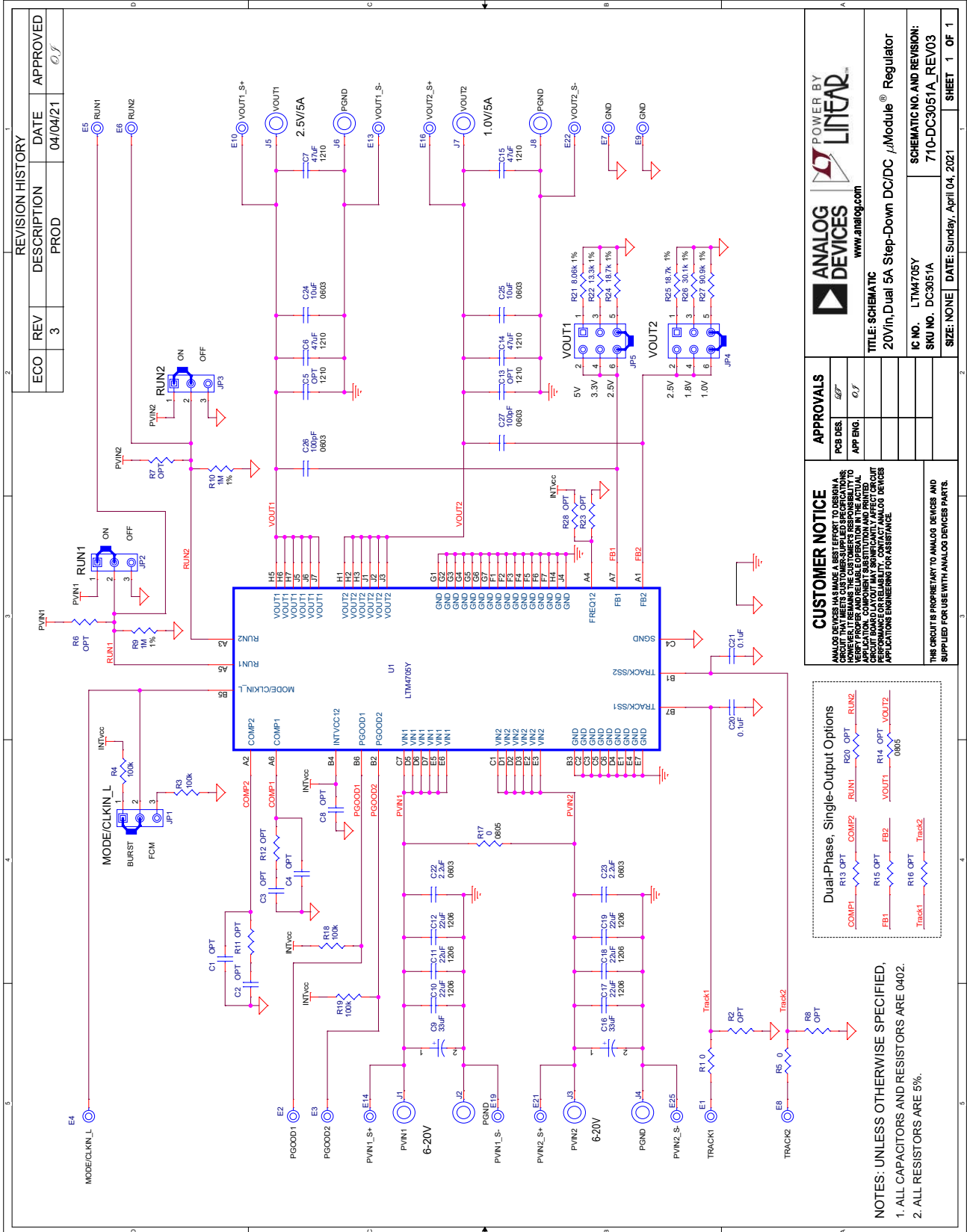
Figure 9. Thermal Performance at $V_{IN} = 12V$, $V_{OUT1} = 2.5V$, $V_{OUT2} = 1.0V$, $I_{OUT1} = 5A$, $I_{OUT2} = 5A$, $T_A = 23^{\circ}C$, No Forced Airflow

DEMO MANUAL DC3051A

PARTS LIST

ITEM	QTY	REFERENCE	PART DESCRIPTION	MANUFACTURER/PART NUMBER
Required Circuit Components				
1	4	C6, C7, C14, C15	CAP, 47 μ F, X7R, 10V, 20%, 1210	MURATA, GRM32ER71A476ME15L
2	2	C9, C16	CAP, 33 μ F, ALUM. ELECT., 50V, 20%, 6.3mm \times 7.7mm	SUN ELECTRONIC INDUSTRIES CORP, 50CE33FS
3	6	C10-C12, C17-C19	CAP, 22 μ F, X5R, 35V, 20%, 1206	TDK, C3216X5R1V226M160AC
4	2	C20, C21	CAP, 0.1 μ F, X7R, 25V, 10%, 0402, AEC-Q200	MURATA, GCM155R71E104KE02D
5	2	C22, C23	CAP, 2.2 μ F, X5R, 35V, 10%, 0603	MURATA, GRM188R6YA225KA12D
6	2	C24, C25	CAP, 10 μ F, X5R, 10V, 10%, 0603	AVX, 0603ZD106KAT2A
7	2	C26, C27	CAP, 100pF, X7R, 50V, 10%, 0603	AVX, 06035C101KAT2A
8	2	R3, R4	RES., 100k, 5%, 1/16W, 0402, AEC-Q200	ROHM, MCR01MZPJ104
9	2	R9, R10	RES., 1M, 1%, 1/16W, 0402, AEC-Q200	STACKPOLE ELECTRONICS, INC., RMCFO402FT1M00
10	2	R18, R19	RES., 100k, 5%, 1/16W, 0402, AEC-Q200	NIC, NRC04J104TRF
11	1	R21	RES., 8.06k, 1%, 1/16W, 0402, AEC-Q200	NIC, NRC04F8061TRF
12	1	R22	RES., 13.3k, 1%, 1/16W, 0402, AEC-Q200	VISHAY, CRCWs040213K3FKED
13	2	R24, R25	RES., 18.7k, 1%, 1/16W, 0402, AEC-Q200	VISHAY, CRCW040218K7FKED
14	1	R26	RES., 30.1k, 1%, 1/16W, 0402, AEC-Q200	NIC, NRC04F3012TRF
15	1	R27	RES., 90.9k, 1%, 1/16W, 0402, AEC-Q200	NIC, NRC04F9092TRF
16	1	U1	IC, 20V _{IN} , DUAL 5A STEP-DOWN, 63-LGA	ANALOG DEVICES, LTM4705Y#PBF
Additional Demo Board Circuit Components				
1	0	C1C4, C8	CAP, OPTION, 0402	
2	0	C5, C13	CAP, OPTION, 1210	
3	2	R1, R5	RES., 0 Ω , 1/10W, 0402, AEC-Q200	PANASONIC, ERJ2GE0R00X
4	0	R2, R6, R8, R11, R13, R15, R16, R20, R23, R28	RES., OPTION, 0402	
5	0	R14	RES., OPTION, 0805	
6	1	R17	RES., 0 Ω , JUMPER, 0805	VISHAY, WSL080500000ZEA9
Hardware: For Demo Board Only				
1	17	E1E10, E13, E14, E16, E19, E21, E22, E25	TEST POINT, TURRET, 0.094" MTG. HOLE, PCB 0.062" THK	MILL-MAX, 2501-2-00-80-00-00-07-0
2	8	J1-J8	CONN., BANANA JACK, FEMALE, THT, NON-INSULATED, SWAGE, 0.218"	KEYSTONE, 575-4
3	3	JP1-JP3	CONN., HDR, MALE, 1 \times 3, 2mm, VERT, ST, THT, NO SUBS. ALLOWED	WURTH ELEKTRONIK, 62000311121
4	2	JP4, JP5	CONN., HDR, MALE, 2 \times 3, 2mm, VERT, ST, THT	SULLINS CONNECTOR SOLUTIONS, NRPNO32PAEN-RC
5	4	MP1-MP4	STANDOFF, NYLON, SNAP-ON, 0.375"	KEYSTONE, 8832
6	3	XJP1-XJP3	CONN., SHUNT, FEMALE, 2-POS, 2mm	WURTH ELEKTRONIK, 60800213421
7	2	XJP4, XJP5	CONN., SHUNT, FEMALE, 2-POS., 2.54mm	WURTH ELEKTRONIK, 60900213421

SCHEMATIC DIAGRAM



REVISION HISTORY				
ECO	REV	DESCRIPTION	DATE	APPROVED
	3	PROD	04/04/21	<i>e.j.f</i>

ANALOG DEVICES **POWER BY LINEAR**
www.analog.com

TITLE: SCHEMATIC
20Vin Dual 5A Step-Down DC/DC μ Module Regulator

IC NO.: LTM4705Y
SKU NO.: DC3051A

SCHEMATIC NO. AND REVISION: 710-DC3051A_REV03

SIZE: NONE
DATE: Sunday, April 04, 2021
SHEET: 1 OF 1

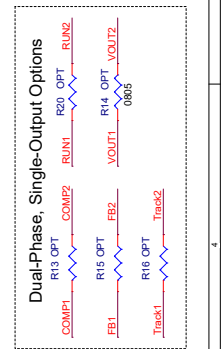
APPROVALS

PCB DES.	<i>e.j.f</i>
APP ENG.	<i>e.j.f</i>

CUSTOMER NOTICE

ANALOG DEVICES HAS MADE A BEST EFFORT TO DESIGN AND TEST THIS SCHEMATIC. HOWEVER, IT REMAINS THE CUSTOMER'S RESPONSIBILITY TO VERIFY THE SCHEMATIC FOR THEIR APPLICATION. CUSTOMER SUBSTITUTION AND REVISIONS TO THIS SCHEMATIC MAY SIGNIFICANTLY AFFECT CIRCUIT PERFORMANCE. ANALOG DEVICES DOES NOT PROVIDE APPLICATION ENGINEERING FOR ASSISTANCE.

THIS CIRCUIT IS PROPRIETARY TO ANALOG DEVICES AND SUPPLIED FOR USE WITH ANALOG DEVICES PARTS.



NOTES: UNLESS OTHERWISE SPECIFIED,
1. ALL CAPACITORS AND RESISTORS ARE 0402.
2. ALL RESISTORS ARE 5%.





ESD Caution

ESD (electrostatic discharge) sensitive device. Charged devices and circuit boards can discharge without detection. Although this product features patented or proprietary protection circuitry, damage may occur on devices subjected to high energy ESD. Therefore, proper ESD precautions should be taken to avoid performance degradation or loss of functionality.

Legal Terms and Conditions

By using the evaluation board discussed herein (together with any tools, components documentation or support materials, the "Evaluation Board"), you are agreeing to be bound by the terms and conditions set forth below ("Agreement") unless you have purchased the Evaluation Board, in which case the Analog Devices Standard Terms and Conditions of Sale shall govern. Do not use the Evaluation Board until you have read and agreed to the Agreement. Your use of the Evaluation Board shall signify your acceptance of the Agreement. This Agreement is made by and between you ("Customer") and Analog Devices, Inc. ("ADI"), with its principal place of business at One Technology Way, Norwood, MA 02062, USA. Subject to the terms and conditions of the Agreement, ADI hereby grants to Customer a free, limited, personal, temporary, non-exclusive, non-sublicensable, non-transferable license to use the Evaluation Board FOR EVALUATION PURPOSES ONLY. Customer understands and agrees that the Evaluation Board is provided for the sole and exclusive purpose referenced above, and agrees not to use the Evaluation Board for any other purpose. Furthermore, the license granted is expressly made subject to the following additional limitations: Customer shall not (i) rent, lease, display, sell, transfer, assign, sublicense, or distribute the Evaluation Board; and (ii) permit any Third Party to access the Evaluation Board. As used herein, the term "Third Party" includes any entity other than ADI, Customer, their employees, affiliates and in-house consultants. The Evaluation Board is NOT sold to Customer; all rights not expressly granted herein, including ownership of the Evaluation Board, are reserved by ADI. CONFIDENTIALITY. This Agreement and the Evaluation Board shall all be considered the confidential and proprietary information of ADI. Customer may not disclose or transfer any portion of the Evaluation Board to any other party for any reason. Upon discontinuation of use of the Evaluation Board or termination of this Agreement, Customer agrees to promptly return the Evaluation Board to ADI. ADDITIONAL RESTRICTIONS. Customer may not disassemble, decompile or reverse engineer chips on the Evaluation Board. Customer shall inform ADI of any occurred damages or any modifications or alterations it makes to the Evaluation Board, including but not limited to soldering or any other activity that affects the material content of the Evaluation Board. Modifications to the Evaluation Board must comply with applicable law, including but not limited to the RoHS Directive. TERMINATION. ADI may terminate this Agreement at any time upon giving written notice to Customer. Customer agrees to return to ADI the Evaluation Board at that time. LIMITATION OF LIABILITY. THE EVALUATION BOARD PROVIDED HEREUNDER IS PROVIDED "AS IS" AND ADI MAKES NO WARRANTIES OR REPRESENTATIONS OF ANY KIND WITH RESPECT TO IT. ADI SPECIFICALLY DISCLAIMS ANY REPRESENTATIONS, ENDORSEMENTS, GUARANTEES, OR WARRANTIES, EXPRESS OR IMPLIED, RELATED TO THE EVALUATION BOARD INCLUDING, BUT NOT LIMITED TO, THE IMPLIED WARRANTY OF MERCHANTABILITY, TITLE, FITNESS FOR A PARTICULAR PURPOSE OR NON-INFRINGEMENT OF INTELLECTUAL PROPERTY RIGHTS. IN NO EVENT WILL ADI AND ITS LICENSORS BE LIABLE FOR ANY INCIDENTAL, SPECIAL, INDIRECT, OR CONSEQUENTIAL DAMAGES RESULTING FROM CUSTOMER'S POSSESSION OR USE OF THE EVALUATION BOARD, INCLUDING BUT NOT LIMITED TO LOST PROFITS, DELAY COSTS, LABOR COSTS OR LOSS OF GOODWILL. ADI'S TOTAL LIABILITY FROM ANY AND ALL CAUSES SHALL BE LIMITED TO THE AMOUNT OF ONE HUNDRED US DOLLARS (\$100.00). EXPORT. Customer agrees that it will not directly or indirectly export the Evaluation Board to another country, and that it will comply with all applicable United States federal laws and regulations relating to exports. GOVERNING LAW. This Agreement shall be governed by and construed in accordance with the substantive laws of the Commonwealth of Massachusetts (excluding conflict of law rules). Any legal action regarding this Agreement will be heard in the state or federal courts having jurisdiction in Suffolk County, Massachusetts, and Customer hereby submits to the personal jurisdiction and venue of such courts. The United Nations Convention on Contracts for the International Sale of Goods shall not apply to this Agreement and is expressly disclaimed.