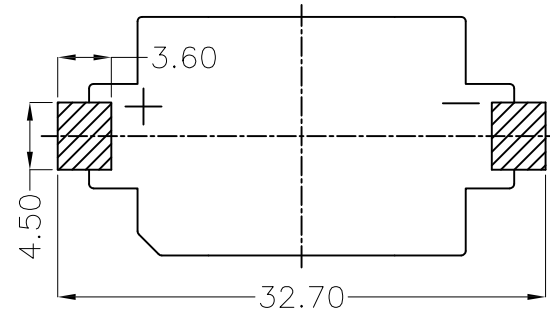
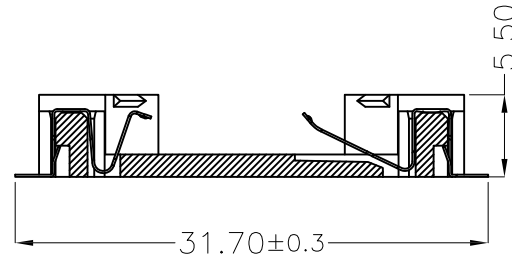
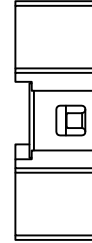
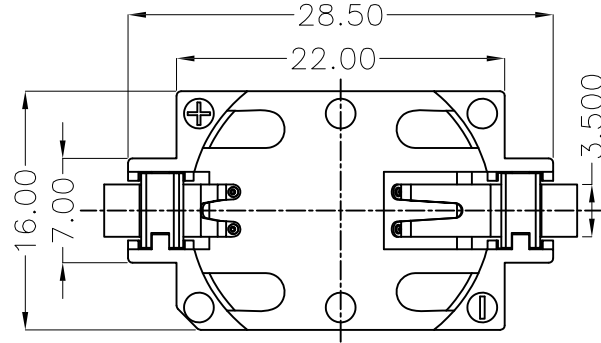
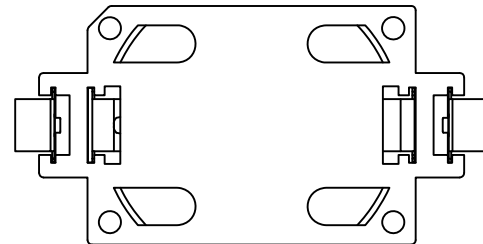


APPROVED: \_\_\_\_\_  
 DATE: \_\_\_\_\_ TITLE: \_\_\_\_\_

Rev	AWO #	Description	Date	Appr
-		RELEASED	8/11/16	
A		UPDATE DRAWING	3/13/20	LH/MY
B		UPDATE PLATED	3/30/21	LH/RC



RECOMMENDED PCB LAYOUT



**SPECIFICATIONS:**

Material:  
 Housing: Hi-Temp Thermoplastic, rated UL94V-0, Color: White  
 Contact: Phosphor Bronze, Tin plated  $\Delta$   
 Electrical:  
 Contact resistance: 30 mohms max  
 Insulation resistance: 1,000 Mohms min  
 Dielectric Voltage: 500 VAC one sec level  
 Temperature Rating:  
 Operating temperature: -25°C to +85°C.  
 Environmental:  
 Lead free, RoHS compliant



UNLESS OTHERWISE SPECIFIED ALL DIMENSIONS ARE MILLIMETERS TOLERANCES: EXCEPT AS NOTED			
MM		ANGLE	
X	± 0.30	X	± 1°
X.X	± 0.25	X.X	± 0.5°
X.XX	± 0.20		
X.XXX	± 0.10		
APPROVALS		DATE	
DRAWN	HR	8/11/16	
CHECKED	LW	8/11/16	
APPROVED			



909 Rahway Avenue,  
 Union, NJ 07083  
 Phone: 908-687-5000  
 Fax: 908-687-5710

TITLE  
**BATTERY HOLDER, SURFACE MOUNT,  
 FOR CR2032, WHITE COLOR**

SIZE <b>X</b>	PART NO. <b>BH-49B-5</b>	REV. <b>B</b>
REF: S00136C	SCALE: NTS	SHEET 1 OF 1