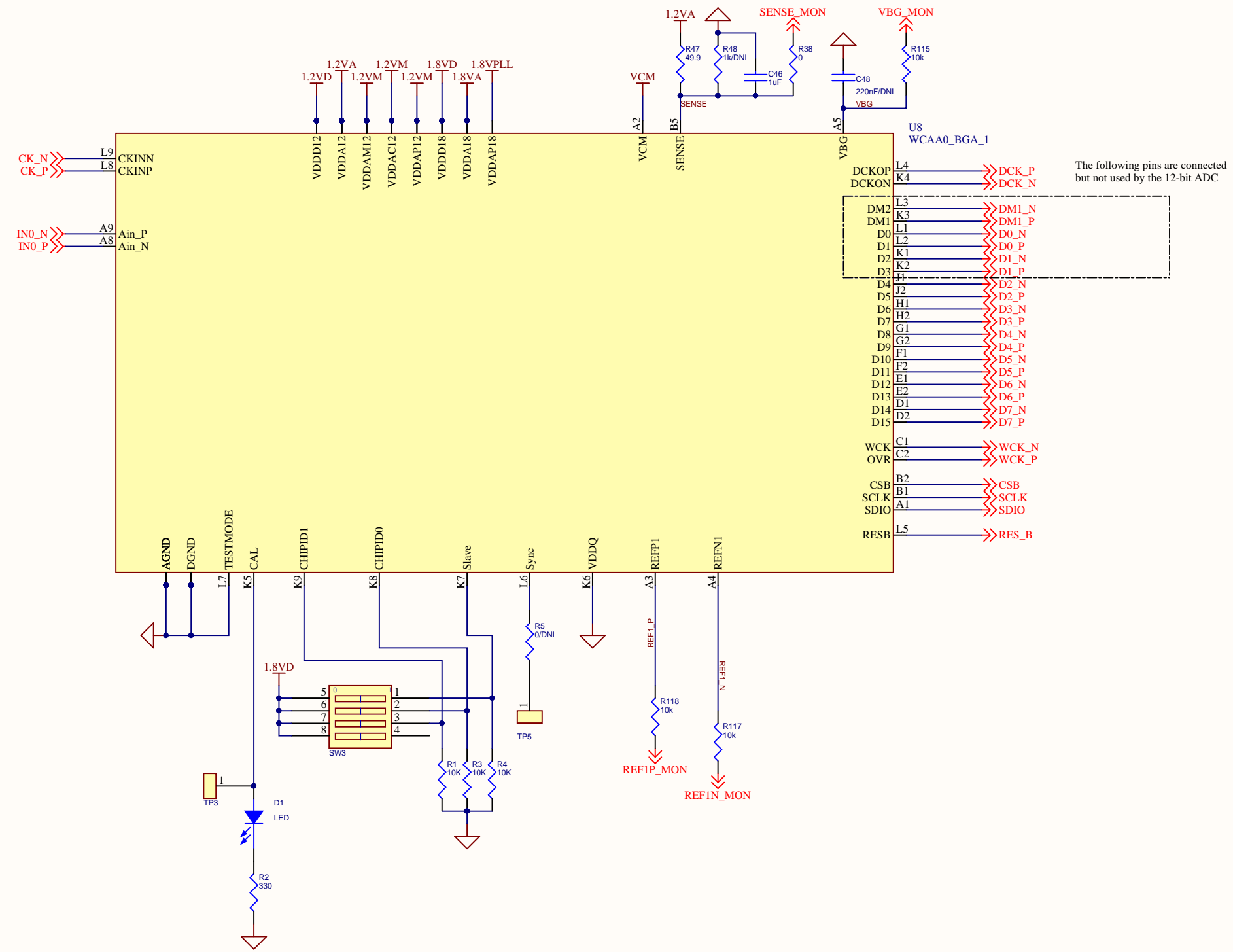
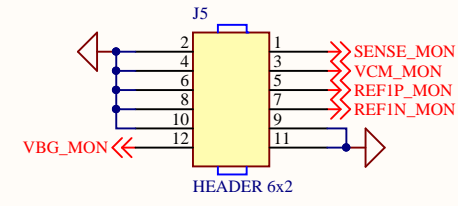
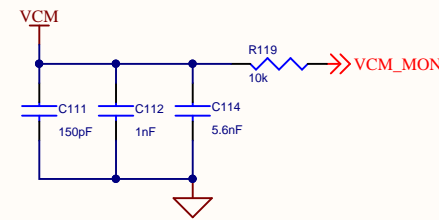
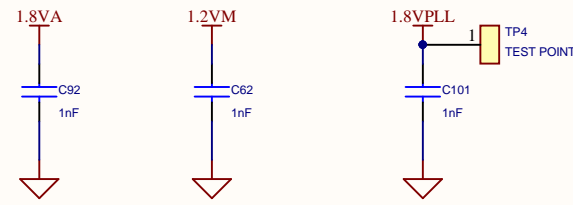
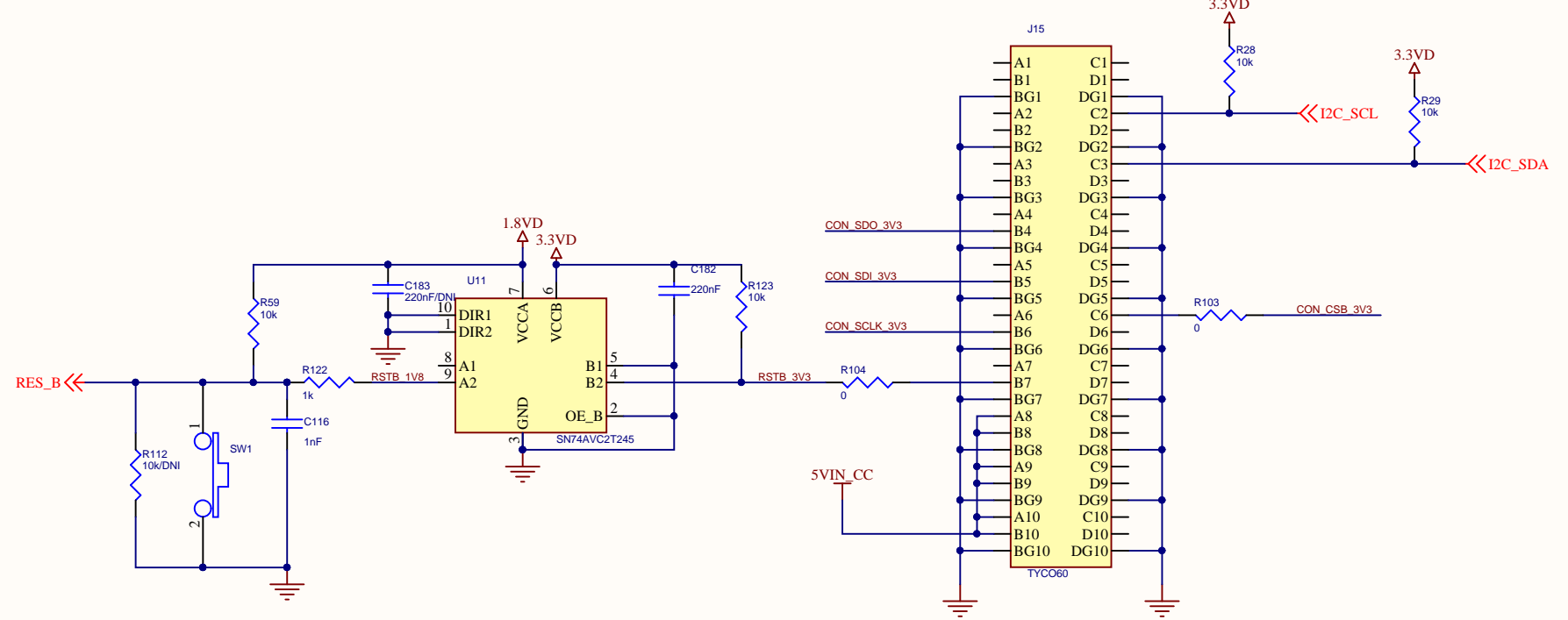
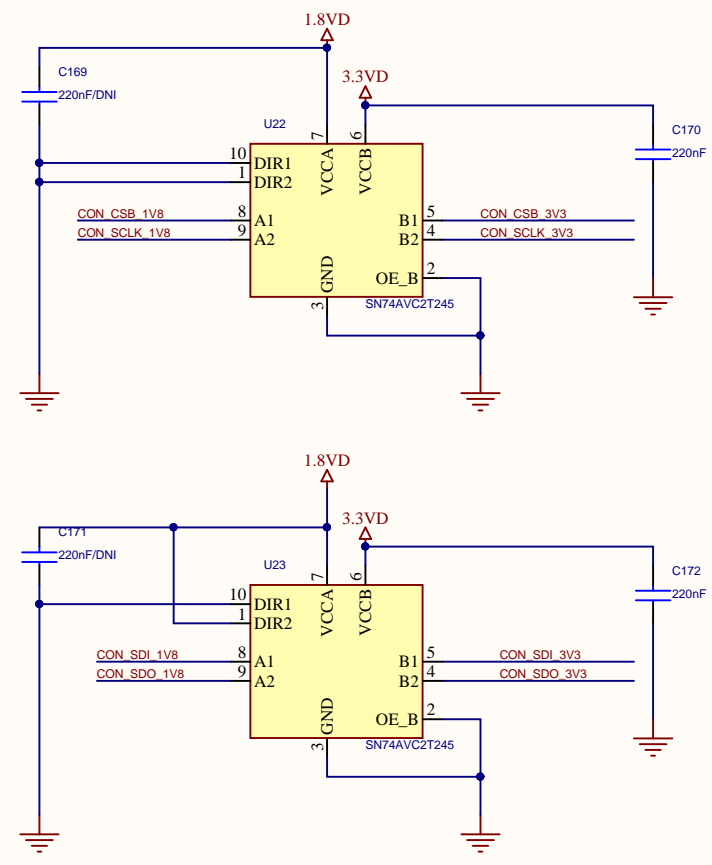
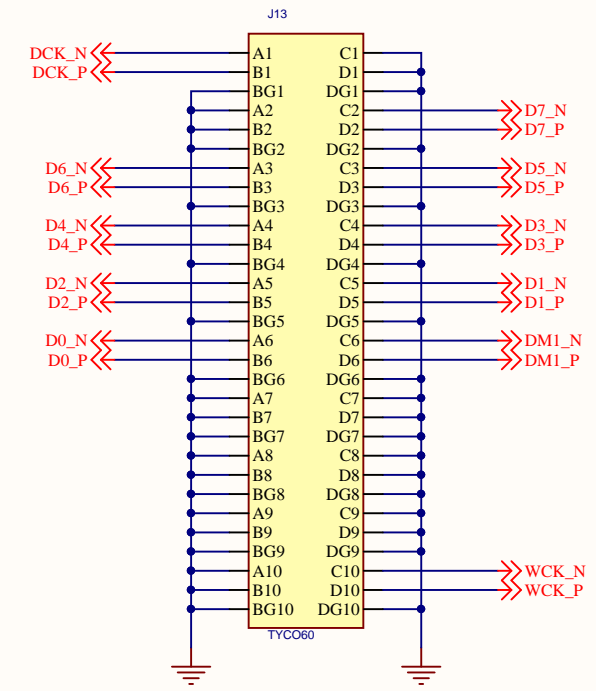
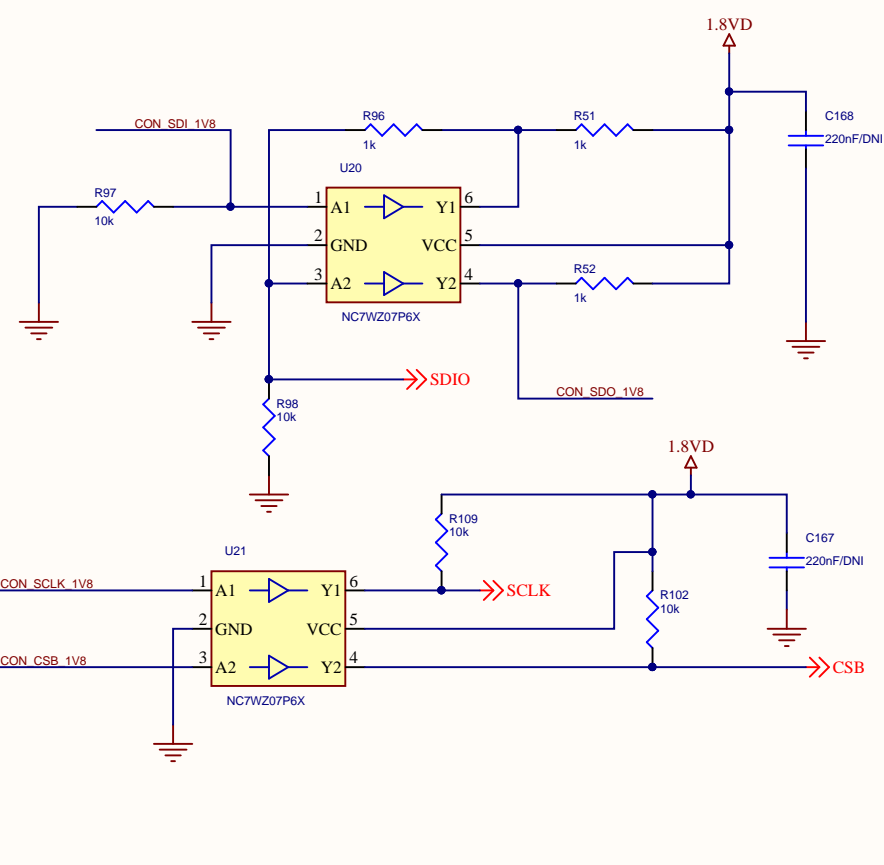
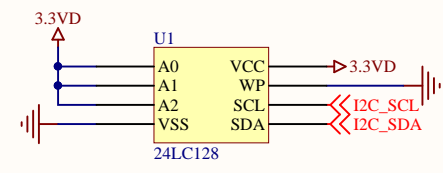
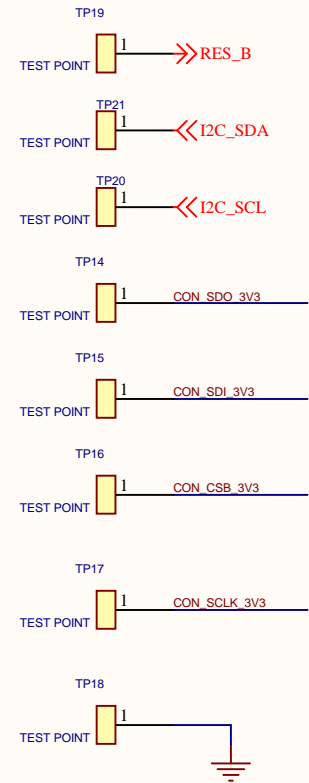


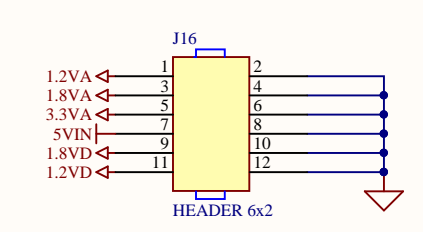
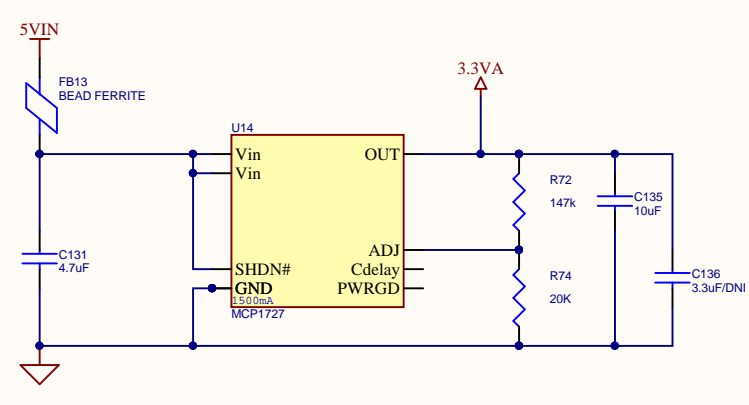
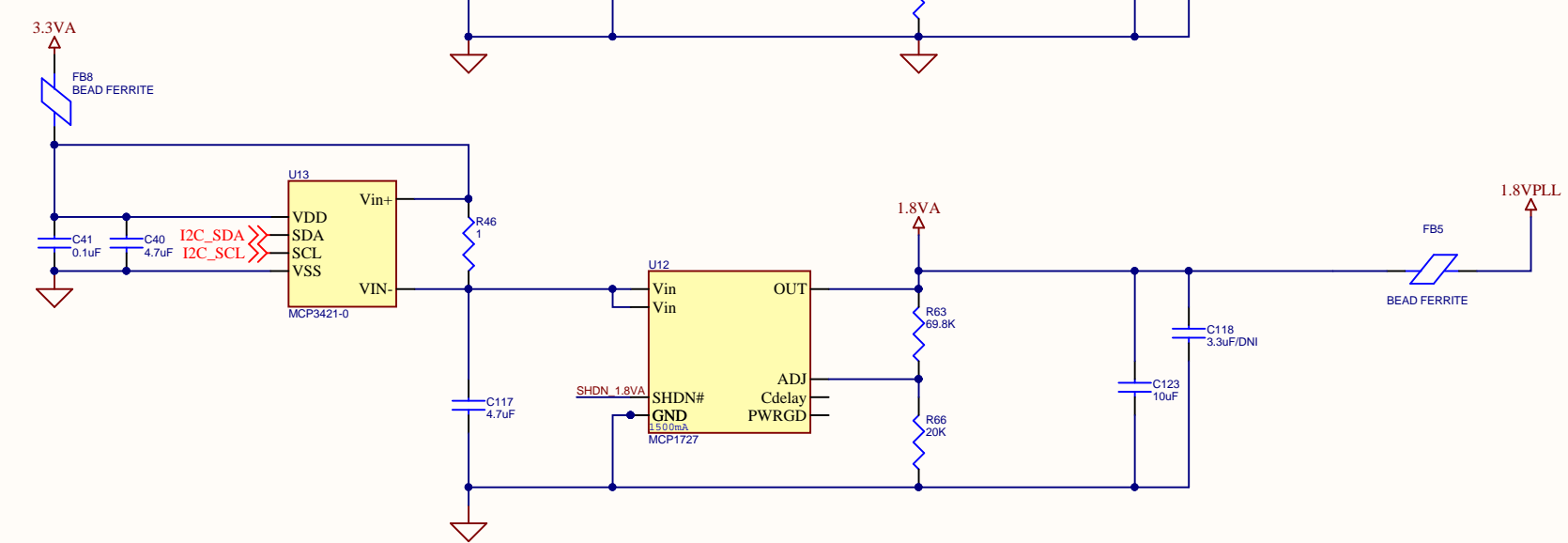
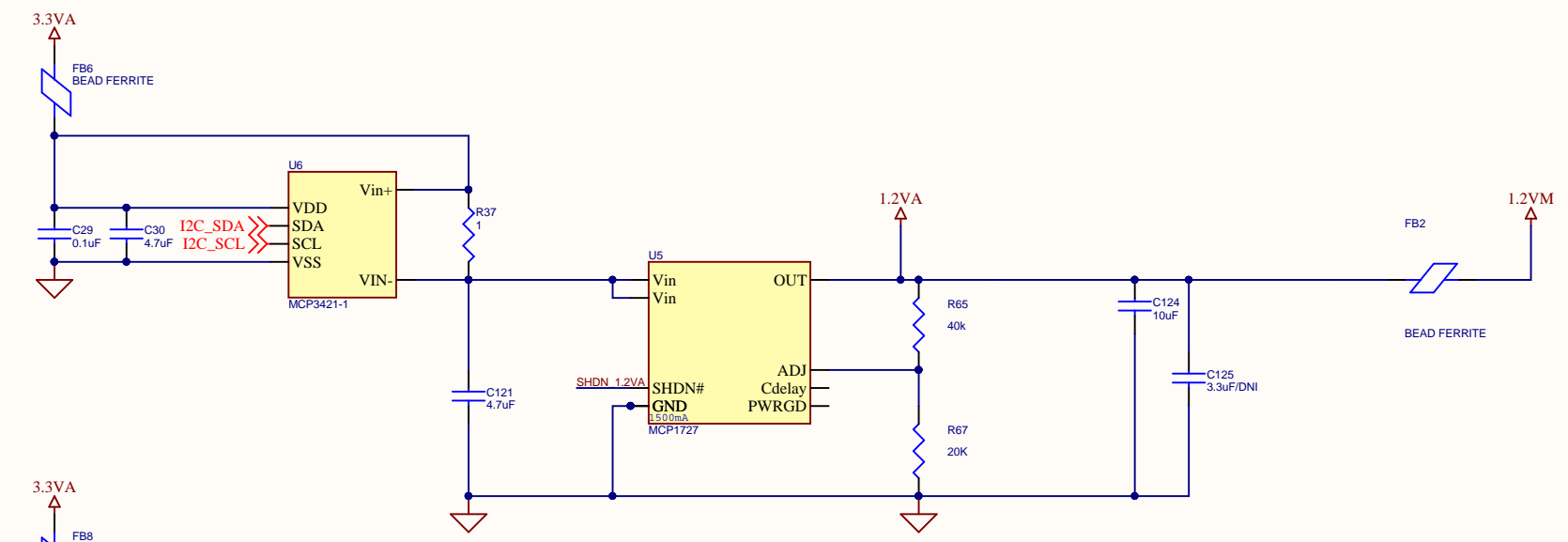
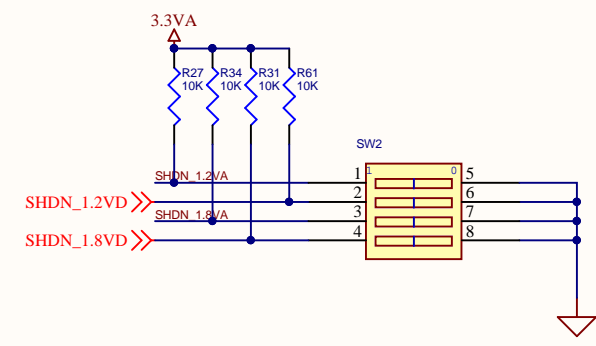
Drawn By: Idan Shtayer	
Engineer: Idan Shtayer	
PartNumber: ADM00735	Project Title MCP37x10-200 12-Bit Single Ch Eval Bd
Sheet Title Input and Clock Networks	Designed with 
Size C	Sch #03-10520 Date: 8/31/2016 3:46:43 PM
	Revision: 1 Sheet 2 of 6
File: 2 - INPUT AND CLOCK NET - Microchip Format.SchDot	

NOTE: PLACE ALL DECOUPLING CAPS CLOSE TO CHIP. PLACE [150pF 10k] PAIRS NEAR EACH PIN. PLACE EACH {5.6nF 10uP 100uP} PAIR NEAR VOLTAGE BANK.

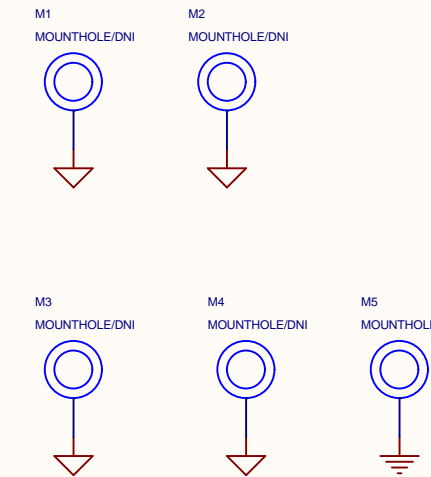
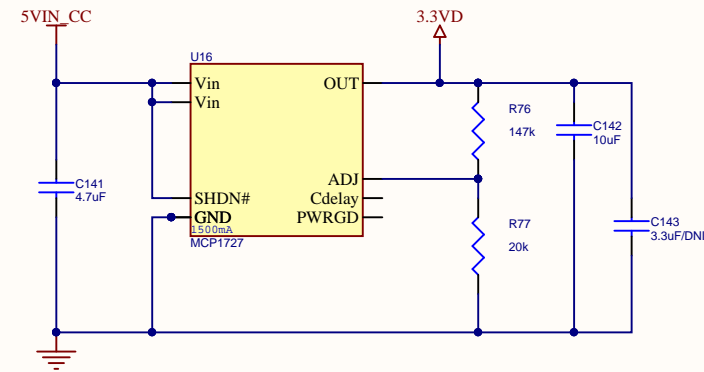
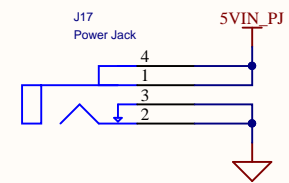


Drawn By: Idan Shtayer	
Engineer: Idan Shtayer	
PartNumber: ADM00735	Project Title MCP37x10-200 12-Bit Single Ch Eval Bd
Sheet Title DUT and References	Designed with 
Size C	Sch #03-10520 Date: 8/31/2016 3:46:43 PM
Revision: 1	Sheet 3 of 6
File: 3 - WCAA0_BGA - Microchip Format.SchDoc	

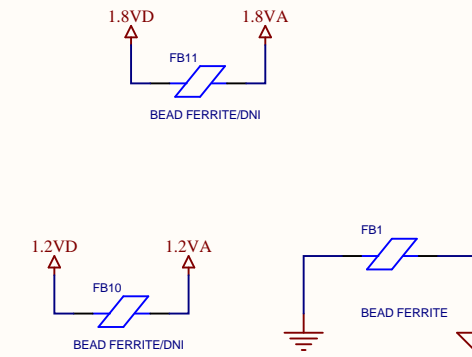
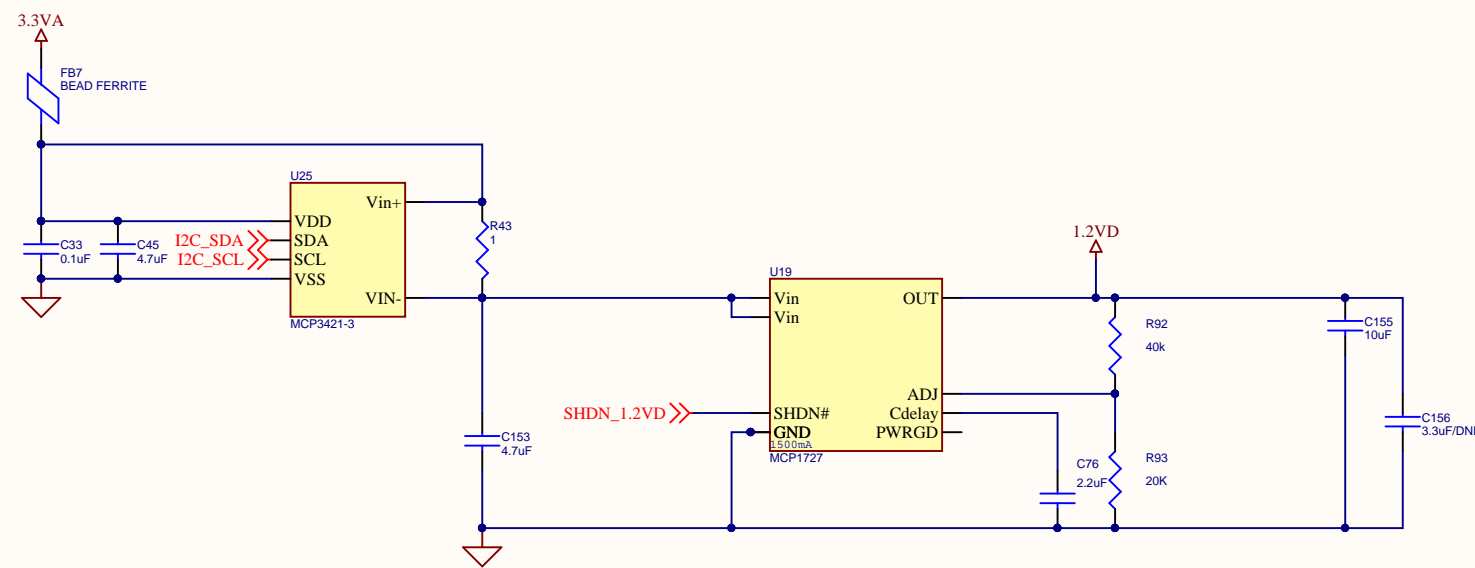
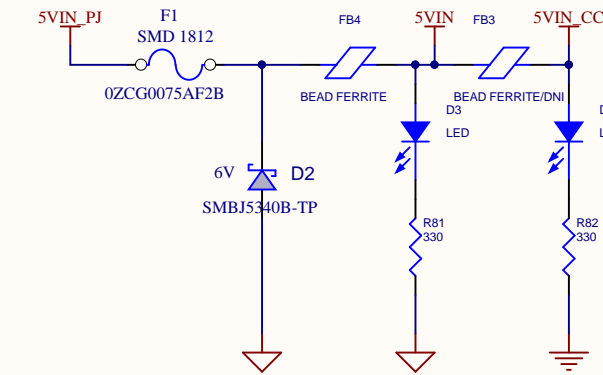
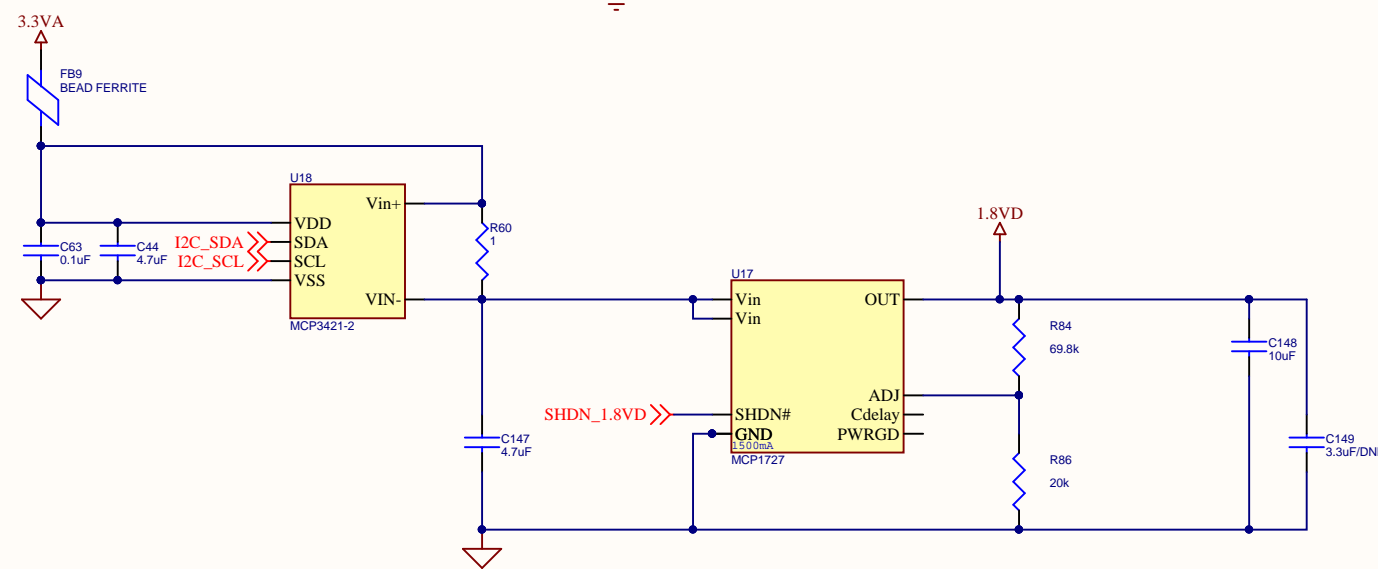




Drawn By: Idan Shtayer	
Engineer: Idan Shtayer	
PartNumber: ADM00735	Project Title MCP37x10-200 12-Bit Single Ch Eval Bd
Sheet Title Analog Regulators	Designed with 
Size C	Sch #03-10520 Date: 8/31/2016 3:46:44 PM
Revision: 1	Sheet 5 of 6
File: 5 - ANALOG REGULATORS - Microchip Format.SchDot	



NOTE: PCB MAY BE POWERED FROM EXTERNAL POWER JACK OR CAPTURE CARD INTERFACE



Drawn By: Idan Shtayer	
Engineer: Idan Shtayer	
PartNumber: ADM00735	Project Title MCP37x10-200 12-Bit Single Ch Eval Bd
Sheet Title Digital Regulators	Designed with 
Size C	Sch #03-10520 Date: 8/31/2016 3:46:44 PM
Revision: 1	Sheet 6 of 6
File: 6 - DIGITAL REGULATORS - Microchip Format.SchDot	