

Würth Elektronik eiSos GmbH &amp; Co. KG

EMC &amp; Inductive Solutions

Max-Eyth-Straße 1 · 74638 Waldenburg · Germany

Tel. +49 (0) 79 42 945-0 · Fax +49 (0) 79 42 945-400

eiSos@we-online.de · www.we-online.de



## Product / Process Change Notification (PCN)

- Major change  
 Minor change

**PCN #:** PCN\_SMSI\_20190926

**Affected Series:** WA-SMSI 9774120360R, 9774120360RR,  
9774120360RX  
WA-SMST 9774120960R, 9774120960RX  
WA-SMSE 9771060360R

**PCN Date:** August 26, 2019

**Effective Date:** September 26, 2019

### Change Category:

- Equipment / Location  
 General Data  
 Material  
 Process  
 Product Design  
 Shipping / Packaging  
 Supplier  
 Software

**Contact:** Product Management

**Phone:** +49 (0) 7942 - 945 5001

**Fax:** +49 (0) 7942 - 945 5179

**E-Mail:** pcn.eican@we-online.com

### Data Sheet Change:

- Yes  No

### Attachment:

- Yes  No

### DESCRIPTION AND PURPOSE OF CHANGE:

For improved transportation safety and packaging optimizations, Würth Elektronik will modify the shape of the cavity of the carrier tape. This will not lead to a change of the packaging unit.

All products with date code 2019-09-26 or later, will be affected by this packaging change.

There will be no change in form, fit, function, quality or reliability of the product.

### DETAIL OF CHANGE:

The shape of the cavity will be changed to improve the stability of the carrier and the position of the part.

There will be no change of packaging unit and dimension.

Würth Elektronik eiSos GmbH & Co. KG

EMC & Inductive Solutions

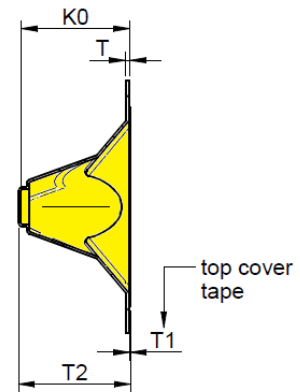
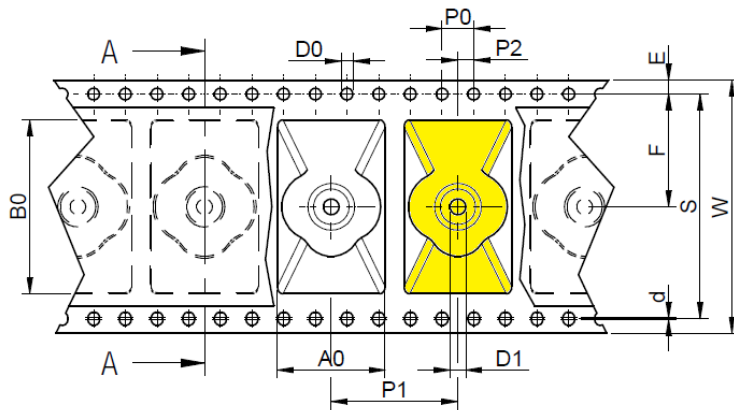
Max-Eyth-Straße 1 · 74638 Waldenburg · Germany

Tel. +49(0)79 42 945-0 · Fax +49(0)79 42 945-400

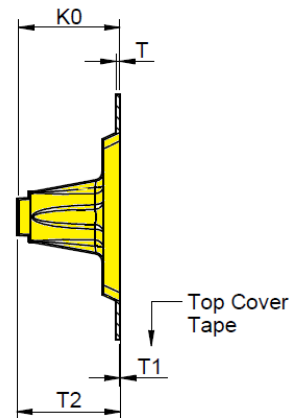
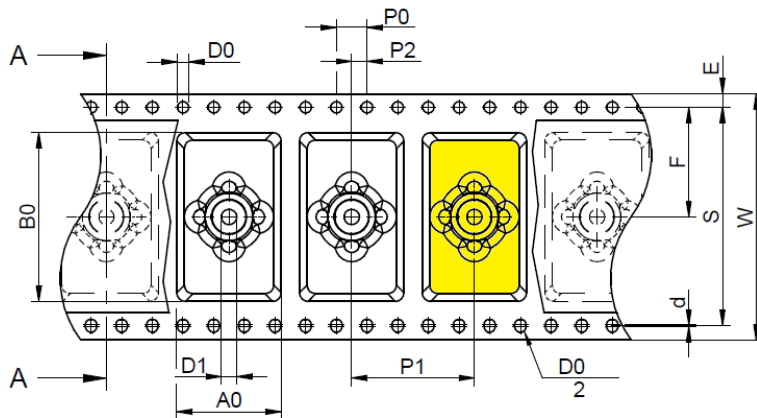
eiSos@we-online.de · www.we-online.de



Before change:



After change:



**RELIABILITY / QUALIFICATION SUMMARY:**

There will be no change of the product, therefore no additional reliability or qualification testing will be performed.