



LAYOUT SHOWN AS EXAMPLE

Keying Shown as example

**CHARACTERISTICS**

- Standard : Based on MIL-DTL-38999 Series III
- Shell Material : Stainless Steel
- Shell Plating : Nickel
- Insulator : Thermoplastic
- Contacts : Copper Alloy
- Seals & Grommet : Silicon Elastomer
- Contact Plating : Gold over copper Alloy 0.8µm minimum
- Durability : 500 Mating cycles
- Delivered without Souriau contacts
- Temperature Range : -65°C to +200°C
- Salt Spray : 500 hours

| Connector dimension |                |
|---------------------|----------------|
| Dim                 | Nominal        |
| A                   | 52.4±0.3       |
| B                   | 36.5+0.1/-0.15 |
| R                   | 32.5Max        |
| S                   | 49.2±0.4       |
| W                   | 3+0.9/-0.1     |
| VV THREAD           | M31x1-6g       |

SOURIAU shall not be liable for any non-conformity or damage due to a use of the Products which does not comply with the Specifications issued by either of the Parties or by a third party (professional recommendation, technical notice.)

| Country | Jurisdiction & Control List |
|---------|-----------------------------|
| FR      | Not Listed                  |

**PN: 8D721S41SBL**

|                |   |                                |   |
|----------------|---|--------------------------------|---|
| A              | 08-11-2016                                  | First Release                  |   |
| ISS            | DATE  | Latest modification - by       | MOD N°  |
| Designed By:   |   | Date:                          | <b>CUSTOMER DRAWING</b>   |
| <b>TITLE</b>   | <b>Stainless Steel Receptacle 8D series</b> |                                |   |
| SCALE          | NA  | General linear Tolerances: ±-- | NPRDS / PROJECT<br><b>859</b>   |
| <b>SOURIAU</b> | <b>WWW.SOURIAU.COM</b>                      |                                | This document is the property of SOURIAU it must not be reproduced or communicated without permission |
| FORMAT         | <b>SOURIAU DRG N° 8D721S41SBL-C</b>         |                                | SHEET<br>1/2  |

|                |                        |   |   |    |   |    |   |   |   |                                    |
|----------------|------------------------|---|---|----|---|----|---|---|---|------------------------------------|
| BASIC SERIES:  | 8D                     | 7 | - | 21 | S | 41 | S | B | L | Delivered W/O Contacts             |
| SHELL TYPE :   | Jam nut Receptacle     |   |   |    |   |    |   |   |   | ORIENTATION : B                    |
| CONTACT TYPE : | Standard Crimp Contact |   |   |    |   |    |   |   |   | CONTACT TYPE : SOCKET(500 Matings) |
| SHELL SIZE :   | 21                     |   |   |    |   |    |   |   |   | CONTACT LAYOUT : 21-41             |
| PLATING :      | S = Nickel             |   |   |    |   |    |   |   |   |                                    |

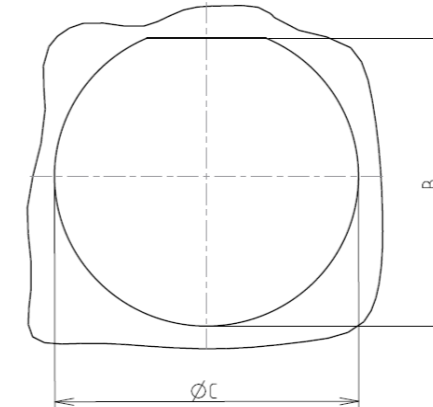
Contact Layout



| Insert arrangement 21-41 |                 |                    |               |                |                  |            |
|--------------------------|-----------------|--------------------|---------------|----------------|------------------|------------|
| Shell size               | Arrangement no. | Number of contacts | Size contacts | Service rating | Contact location | Supersedes |
| 21                       | -41             | 41                 | 20            | I              | All              | MS20055-41 |

Panel cutout

JAM NUT RECEPTACLE (TYPE 7)



Max. thickness panel for receptacle: Type 7: 3.2 mm

| Dim | Nominal       |
|-----|---------------|
| B   | 37.08+0/-0.25 |
| ØC  | 38.35+0.25/-0 |

SOURIAU shall not be liable for any non-conformity or damage due to a use of the Products which does not comply with the Specifications issued by either of the Parties or by a third party (professional recommendation, technical notice.)

| Country | Jurisdiction & Control List |
|---------|-----------------------------|
| FR      | Not Listed                  |

PN: 8D721S41SBL

|                |   |                                |   |
|----------------|---|--------------------------------|---|
| A              | 08-11-2016                                  | First Release                  |   |
| ISS            | DATE  | Latest modification - by       | MOD N°  |
| Designed By:   |   | Date:                          | <b>CUSTOMER DRAWING</b>   |
| <b>TITLE</b>   | <b>Stainless Steel Receptacle 8D series</b> |                                |   |
| SCALE          |   | General linear Tolerances: ±-- | NPRDS / PROJECT<br><b>859</b>   |
| NA             |   |                                |   |
| <b>SOURIAU</b> | <b>WWW.SOURIAU.COM</b>                      |                                | This document is the property of SOURIAU it must not be reproduced or communicated without permission |
| FORMAT         | <b>SOURIAU DRG N° 8D721S41SBL-C</b>         |                                | SHEET<br>2/2  |