

**PLEASE CHECK WWW.MOLEX.COM FOR LATEST PART INFORMATION**

**Part Number:** [0039036032](#)  
**Status:** **Active**  
**Overview:** Standard .093" Pin and Socket Connectors  
**Description:** 2.36mm Diameter Standard .093" Pin and Socket Plug Housing with Positive Latch, UL 94V-2, without Panel Mount, 3 Circuits

**Documents:**

<a href="#">3D Model</a>	<a href="#">Product Specification PS-3191-001-001 (PDF)</a>
<a href="#">Drawing (PDF)</a>	<a href="#">Packaging Specification SPK-3191-001-001 (PDF)</a>
<a href="#">3D Model (PDF)</a>	<a href="#">RoHS Certificate of Compliance (PDF)</a>

**Agency Certification**

CSA	LR19980
UL	E29179

**General**

Product Family	Crimp Housings
Series	<a href="#">3191</a>
Application	Power, Wire-to-Board, Wire-to-Wire
Comments	Polarized to Mating Part
Overview	<a href="#">Standard .093" Pin and Socket Connectors</a>
Product Name	Standard .093"
UPC	800753756595

**Physical**

Breakaway	No
Circuits (maximum)	3
Circuits Detail	1x3
Color - Resin	Natural
Flammability	94V-2
Gender	Plug
Glow-Wire Capable	No
Keying to Mating Part	None
Lock to Mating Part	Yes
Material - Resin	Nylon
Net Weight	3350.100/mg
Number of Rows	1
Packaging Type	Bag
Panel Mount	No
Pitch - Mating Interface	6.70mm
Polarized to Mating Part	Yes
Stackable	No
Temperature Range - Operating	-40° to +105°C

**Electrical**

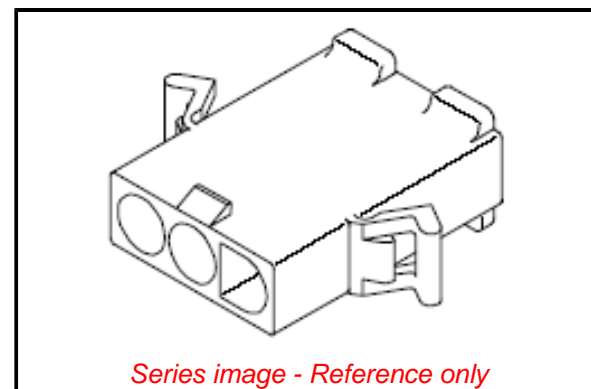
Current - Maximum per Contact	11.0A
-------------------------------	-------

**Material Info**

Engineering Number	3191-03P1
--------------------	-----------

**Reference - Drawing Numbers**

Packaging Specification	SPK-3191-001-001
Product Specification	PS-3191-001-001
Sales Drawing	SD-3191-011-001



**EU ELV**

**Not Relevant**

**EU RoHS**

**Compliant**

**REACH SVHC**

Not Contained Per -  
D(2021)4569-DC (8  
July 2021)

**Halogen-Free**

**Status**

**Low-Halogen**

For more information, please visit [Contact US](#)

China ROHS

ELV

RoHS Phthalates

**China RoHS**

Green Image

Not Relevant

Not Contained

**Search Parts in this Series**

[3191](#) Series

**Mates With**

[39036034](#) , [5219](#)

**Use With**

Standard .093" Female Crimp Terminals  
[1189](#) , [1381](#) , [1433](#) , [4550](#) . Standard .093"  
Male Crimp Terminals [1190](#) , [1380](#) , [1434](#) ,  
[1973](#) , [42138](#)

**PLEASE CHECK [WWW.MOLEX.COM](http://WWW.MOLEX.COM) FOR LATEST PART INFORMATION**