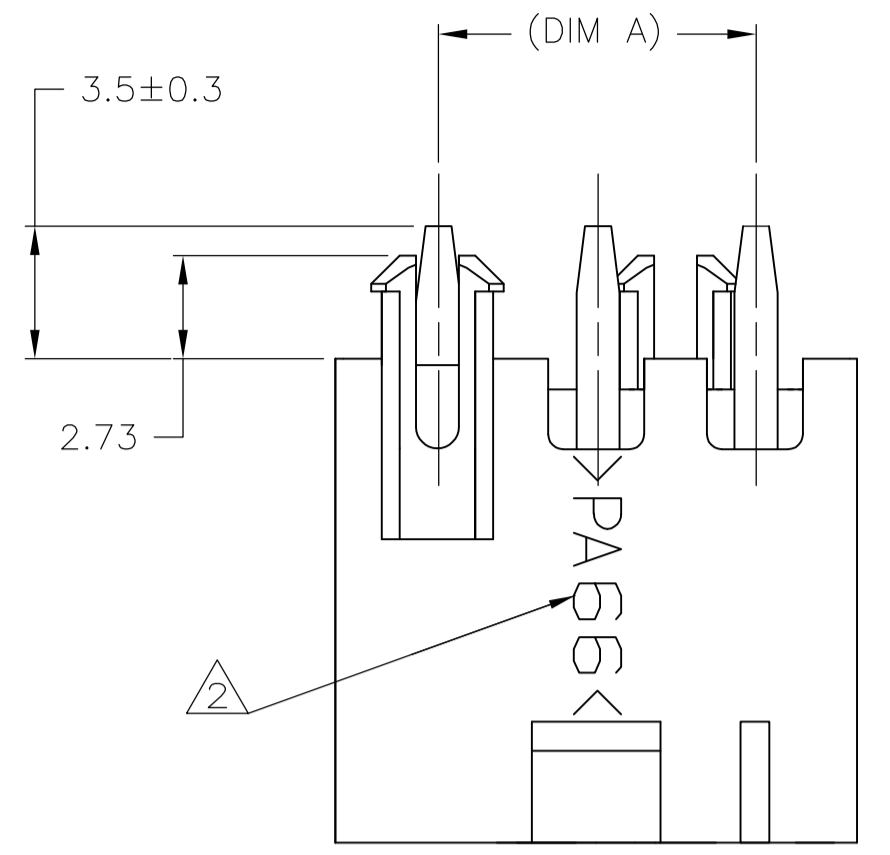
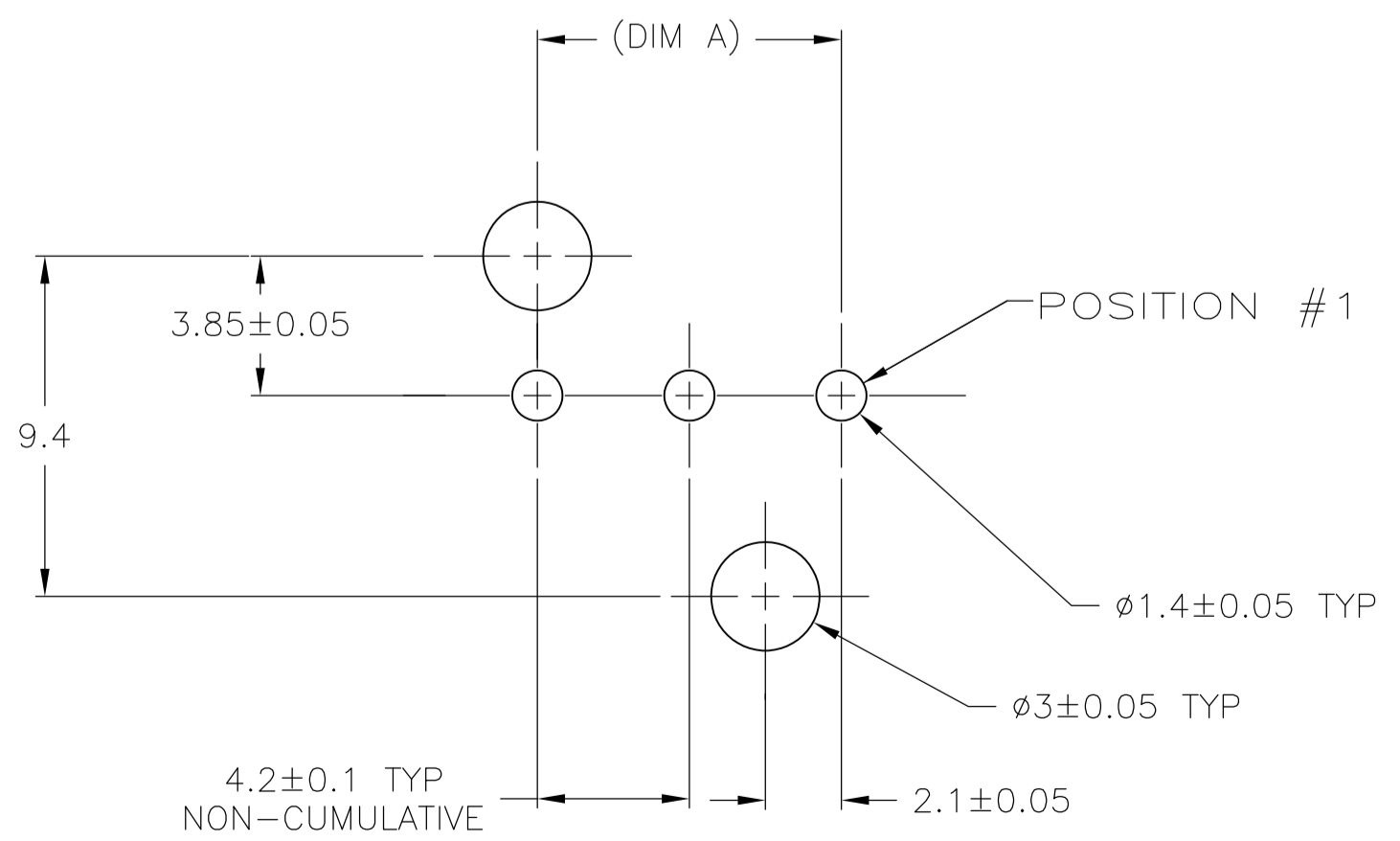
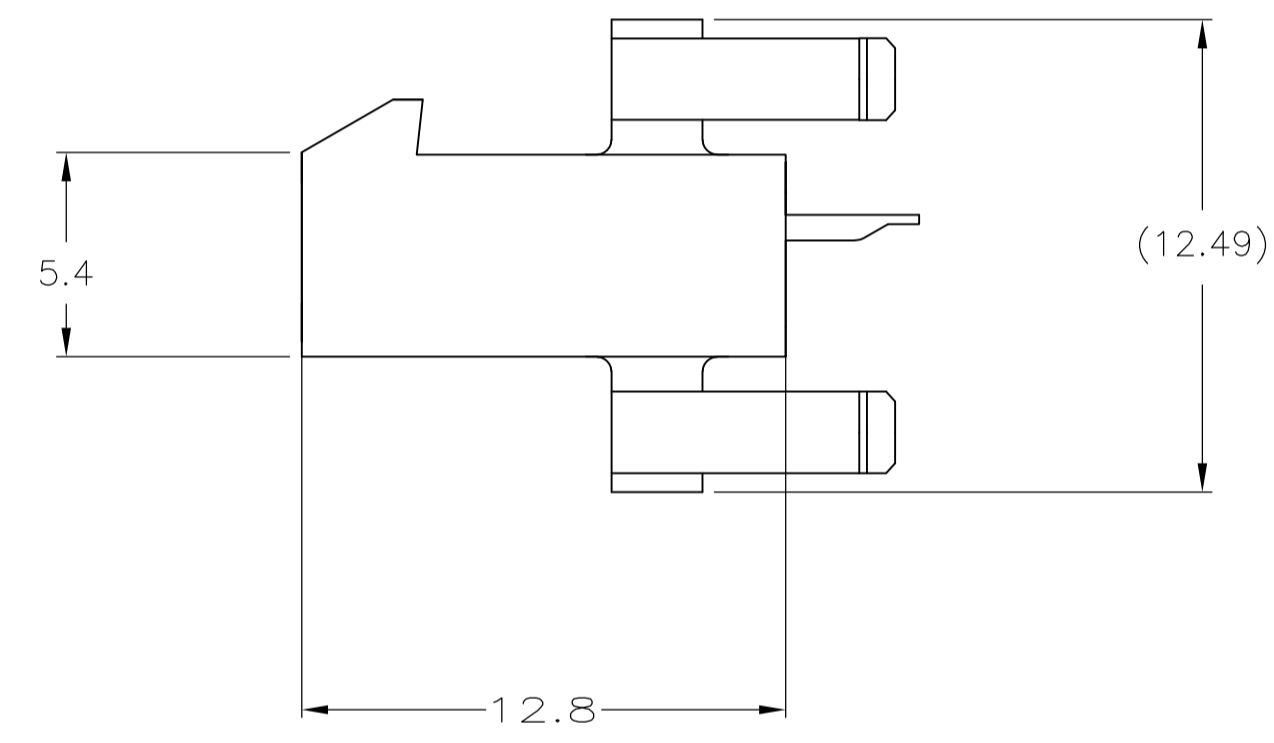
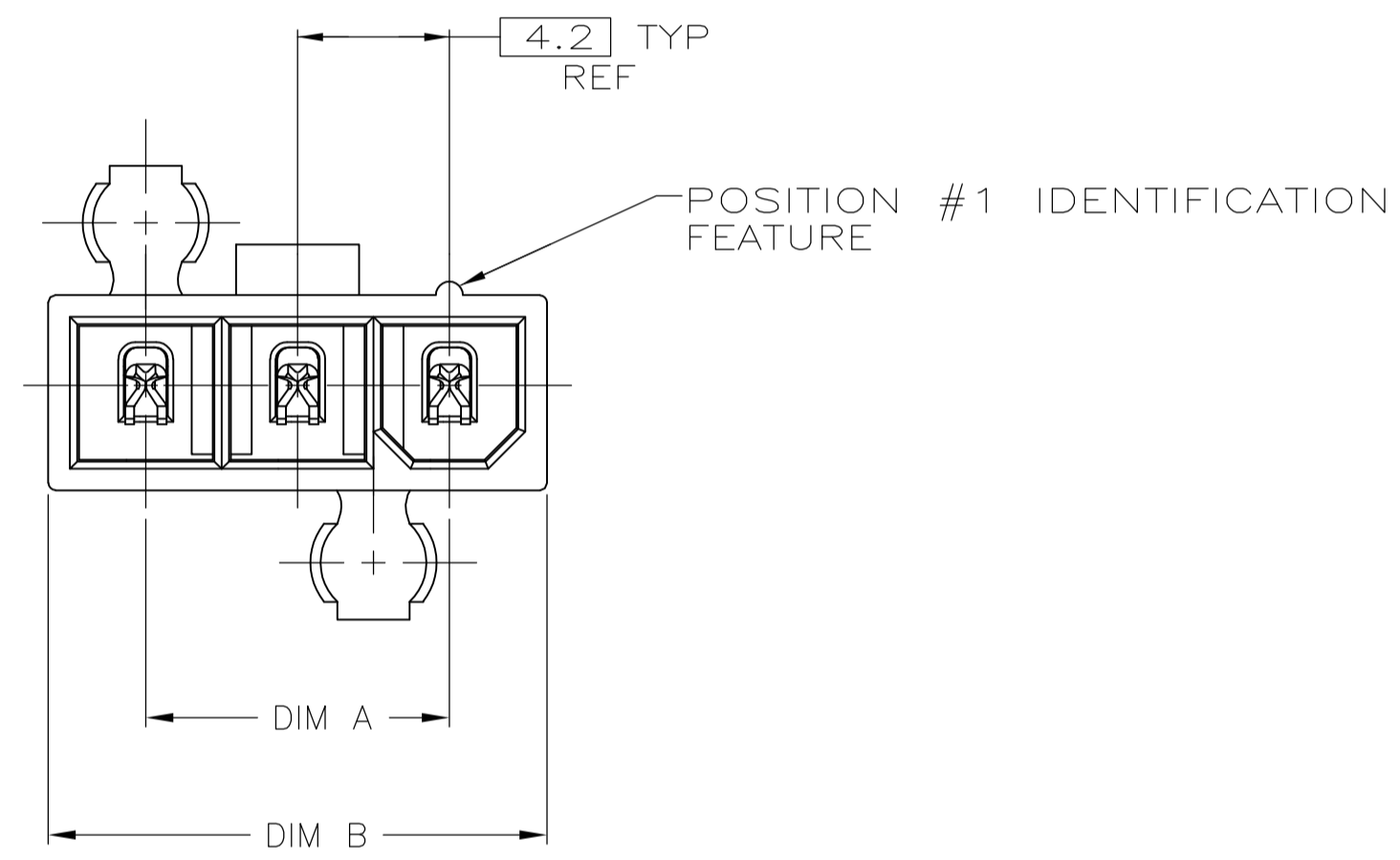


| LOC |    | DIST |                           | REVISIONS |     |      |  |
|-----|----|------|---------------------------|-----------|-----|------|--|
| CM  | 00 | REV  | DESCRIPTION               | DATE      | BY  | APPV |  |
|     |    | A1   | REVISED PER ECR-11-017436 | 29AUG11   | HMR | SM   |  |
|     |    | A2   | REVISED PER ECR-14-018446 | 10DEC14   | A.Z | D.Z  |  |

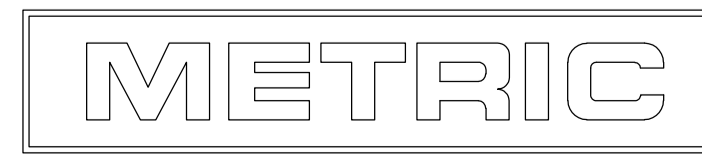


- 1 MATERIAL: HOUSING-NYLON, UL94V-2 (COLOR-NATURAL, COLOR OF PARTS MAY VARY) CONTACTS-0.25 [.010] THICK BRASS ALLOY.
- 2 TYCO ELECTRONICS LOGO AND MATERIAL ID MAY BE LOCATED ON EITHER LONG SIDE OF PART.
- 3 CONTACT FINISH: 0.002032 [.000080] MIN MATTE TIN OVER 0.000381 [.000015] MIN NICKEL OVER ENTIRE CONTACT.
- 4 MATES WITH VAL-U-LOK(TM) RECEPTACLE HOUSINGS.
- 5 PRELIMINARY-NOT FOR PRODUCTION.



RECOMMENDED MOUNTING HOLE PATTERN FOR 1.78 MAX THICK P.C. BOARD COMPONENT SIDE SHOWN

| POST NO.(S) OMITTED | DIM B | DIM A | NO. OF POSITIONS | PART NO     |
|---------------------|-------|-------|------------------|-------------|
| 2,3                 | 18    | 12.6  | 4                | 2-2029054-4 |
| NONE                | 22.2  | 16.8  | 5                | 2029054-5   |
| NONE                | 18    | 12.6  | 4                | 2029054-4   |
| NONE                | 13.8  | 8.4   | 3                | 2029054-3   |



THIS DRAWING IS A CONTROLLED DOCUMENT.

|                |  |                           |   |
|----------------|--|---------------------------|---|
| DIMENSIONS: mm | TOLERANCES UNLESS OTHERWISE SPECIFIED: | DIN K. WHITAKER 11JAN2008 | TE Connectivity   |
| 0 PLC ± -      | 1 PLC ± 0.2                            | CHK C. CASH 11JAN2008     | NAME  |
| 2 PLC ± 0.13   | 3 PLC ± -                              | APVD C. CASH 11JAN2008    | PLUG ASSEMBLY, VERTICAL, SINGLE ROW, 94V-2, W/ DRAIN HOLES, VAL-U-LOK(TM) |
| 4 PLC ± -      | ANGLES ± 0°30'                         | PRODUCT SPEC              | SIZE  |
| MATERIAL       | FINISH                                 | APPLICATION SPEC          | WEIGHT  |
|                |  | RESTRICTED TO             | A1 00779 C=2029054  |
|                |  | CUSTOMER DRAWING          | SCALE N/A SHEET 1 OF 1 REV A2   |