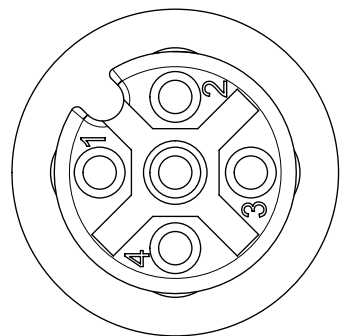


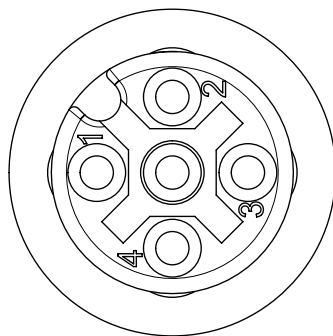
M12 4 POLE FEMALE



VIEW FROM THE FRONT SIDE

Pin	Kolor przewodu	
1	BROWN	BN
2	WHITE	WH
3	BLUE	BU
4	BLACK	BK

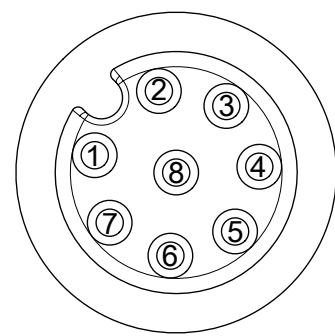
M12 5 POLE FEMALE



VIEW FROM THE FRONT SIDE

Pin	Kolor przewodu	
1	BROWN	BN
2	WHITE	WH
3	BLUE	BU
4	BLACK	BK
5	GREY	GY

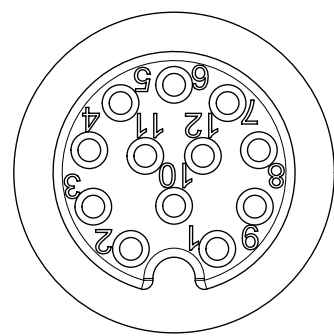
M12 8 POLE FEMALE



VIEW FROM THE FRONT SIDE

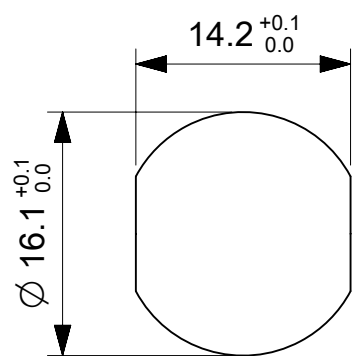
Pin	Kolor przewodu	
1	WHITE	WH
2	BROWN	BN
3	GREEN	GN
4	YELLOW	YE
5	GREY	GY
6	PINK	PK
7	BLUE	BU
8	RED	RD

M12 12 POLE FEMALE

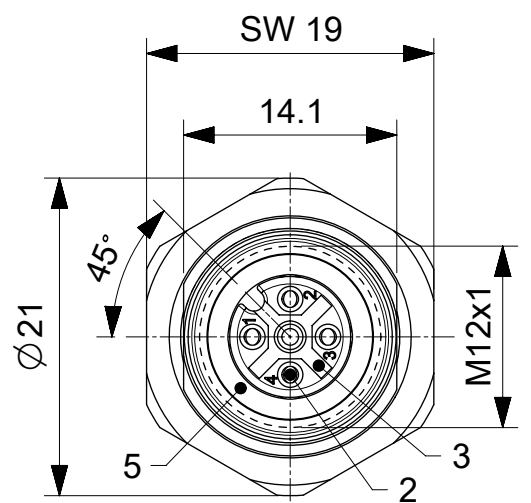


VIEW FROM THE FRONT SIDE

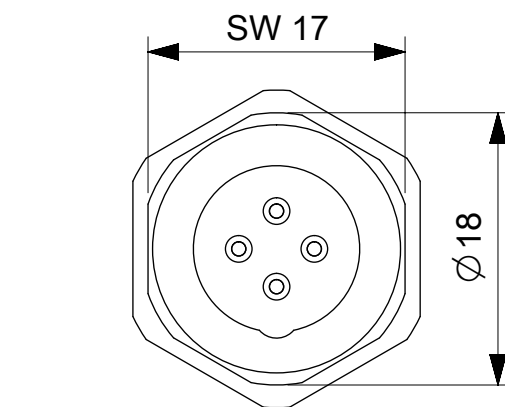
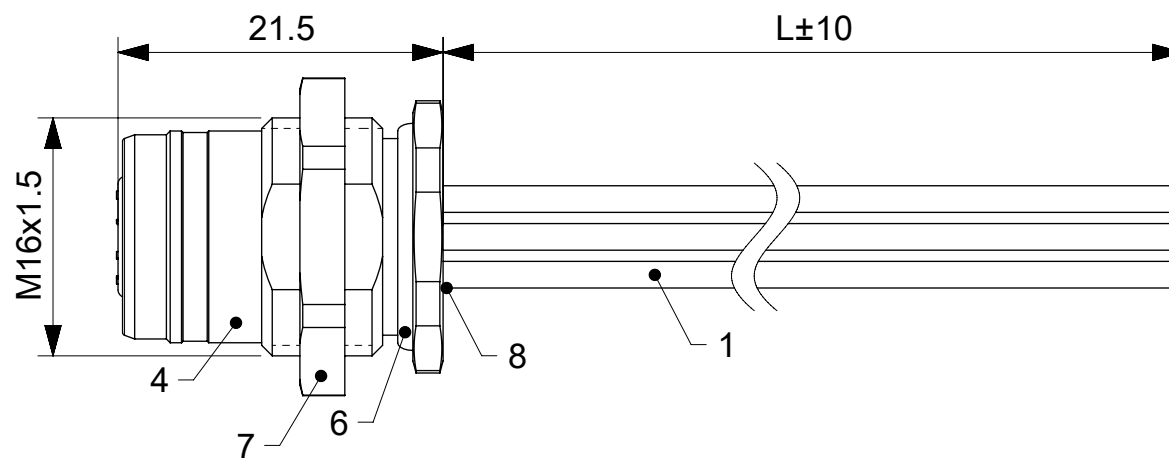
Pin	Kolor przewodu	
1	WHITE	WH
2	BROWN	BN
3	GREEN	GN
4	YELLOW	YE
5	GREY	GY
6	PINK	PK
7	BLUE	BU
8	RED	RD
9	BLACK	BK
10	VIOLET	VT
11	GREY/PINK	GY/PK
12	RED/BLUE	RD/BU



PANEL CUT OUT



VIEW FROM THE FRONT SIDE



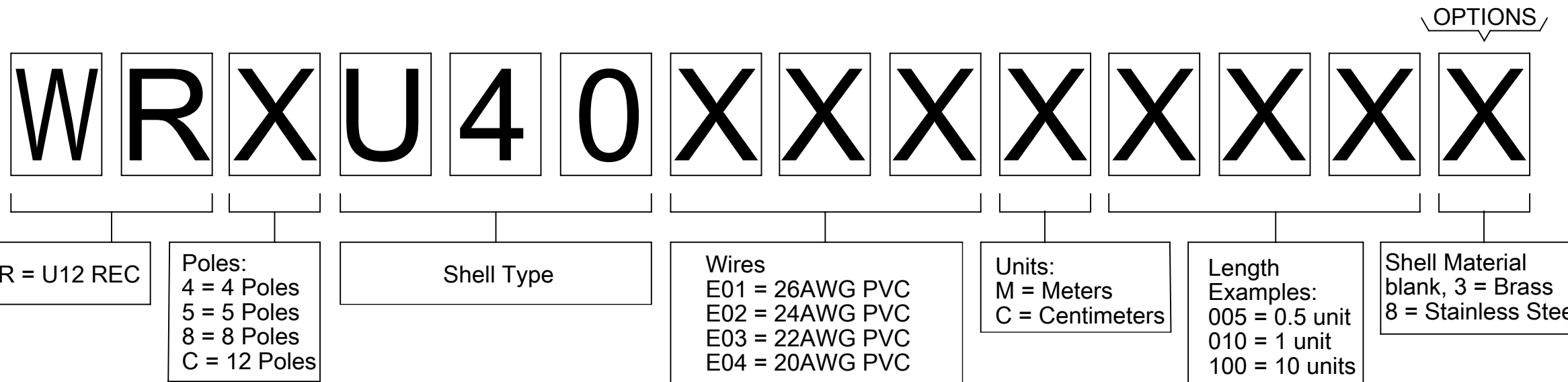
VIEW FROM THE WIRES SIDE

BILL OF MATERIALS

ITEM	QTY.	DESCRIPTION	MATERIAL	FINISH
8	-	POTTING MATERIAL	WEVO	-
7	1	LOCKNUT M16x1.5	BRASS	Ni
6	1	O-RING BK	NBR	-
5	1	GASKET RD	FPM	-
4	1	SHELL M12x1 M16x1.5	BRASS/STAINLESS STEEL	Ni/-
3	1	INSERT 4/5/8/12P FE AC	ELASTOLLAN	-
2	4/5/8/12	CONTACT FEMALE	BRASS	AU
1	-	WIRE 20/22/24/26 AWG UL1569	PVC	-
ITEM	QTY.	DESCRIPTION	MATERIAL	FINISH

FUNCTIONAL SYMBOLS FA = 0 FE = 0 FV = 0	THIS DRAWING CONTAINS INFORMATION THAT IS PROPRIETARY TO MOLEX ELECTRONIC TECHNOLOGIES, LLC AND SHOULD NOT BE USED WITHOUT WRITTEN PERMISSION	CURRENT REV DESC: NEW PNs ADDED		molex			
	DIMENSION UNITS: mm	SCALE: 2:1	REC M12 XP AC FE PVC XM M16 BM				
	GENERAL TOLERANCES (UNLESS SPECIFIED)			PRODUCT CUSTOMER DRAWING			
	ANGULAR TOL ± 1.0°			EC NO: 640707	2020/07/02	2020/07/02	
DIVISIONAL SYMBOLS	4 PLACES ±	DRWN: MKOWALCZYK01	2020/07/02	DOCUMENT NUMBER			
	3 PLACES ±	CHK'D: DSTACHOWIAK	2020/07/02	1200848135			
	2 PLACES ± 0.05	APPR: DSTACHOWIAK	2020/07/02	DOC TYPE	DOC PART		
	1 PLACE ± 0.3	INITIAL REVISION:	2016/09/27	PSD	000		
0 PLACES ± 0.5	DRWN: KKALICIAK	2016/10/25	A4	REVISION			
DRAFT WHERE APPLICABLE MUST REMAIN WITHIN DIMENSIONS		THIRD ANGLE PROJECTION	DRAWING	SERIES	MATERIAL NUMBER	CUSTOMER	SHEET NUMBER
			A3-SIZE	120084	SEE SHEET 2	GENERAL MARKET	1 OF 2

ENGINEERING No. - NUMERICAL CODE (Available parts see PART LIST table. Others parts available upon request)



PART LIST

Molex PN	Engineering No.	L [mm]
1200845174	WR4U40E03C3008	300
1200848135	WR4U40E04C3003	300
1200845172	WR8U40E01C3008	300
1200845097	WR8U40E02C300	300
1200848069	WR8U40E02C500	500
1200848059	WR8U40E02M010	1000
1200845016	WRCU40E01C200	200
1200845017	WRCU40E01C300	300
1200845173	WRCU40E01C3008	300
1200848058	WRCU40E01M010	1000
1200845038	WR4U40E03C3003	300
1200845160	WR5U40E03C3003	300
1200848180	WR5U40E03M0103	1000
1200848192	WR5U40E03C300	300
1200848219	WR4U40E03C650	650

FUNCTIONAL SYMBOLS	THIS DRAWING CONTAINS INFORMATION THAT IS PROPRIETARY TO MOLEX ELECTRONIC TECHNOLOGIES, LLC AND SHOULD NOT BE USED WITHOUT WRITTEN PERMISSION		CURRENT REV DESC: NEW PNs ADDED		molex
	DIMENSION UNITS: mm SCALE: 1:1	GENERAL TOLERANCES (UNLESS SPECIFIED)		EC NO: 640707 DRWN: MKOWALCZYK01 2020/07/02 CHK'D: DSTACHOWIAK 2020/07/02 APPR: DSTACHOWIAK 2020/07/02	
DIVISIONAL SYMBOLS	ANGULAR TOL ± 1.0°		INITIAL REVISION:		DOCUMENT NUMBER: 1200848135 DOC TYPE: PSD DOC PART: 000 REVISION: A4
	4 PLACES ±	DRWN: KKALICIAK 2016/09/27		MATERIAL NUMBER: SEE PART LIST CUSTOMER: GENERAL MARKET SHEET NUMBER: 2 OF 2	
	3 PLACES ±	APPR: MIWASIECZKO 2016/10/25			
	2 PLACES ± 0.05	DRAFT WHERE APPLICABLE MUST REMAIN WITHIN DIMENSIONS			
1 PLACE ± 0.3	THIRD ANGLE PROJECTION		DRAWING: A3-SIZE SERIES: 120084		
0 PLACES ± 0.5	THIRD ANGLE PROJECTION 				