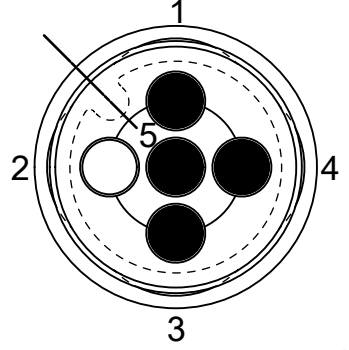
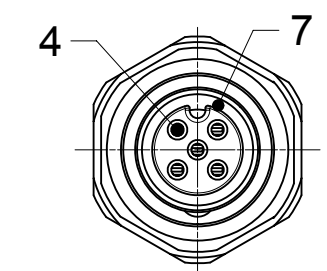


M12 5 POLE  
ŻEŃSKI / FEMALE

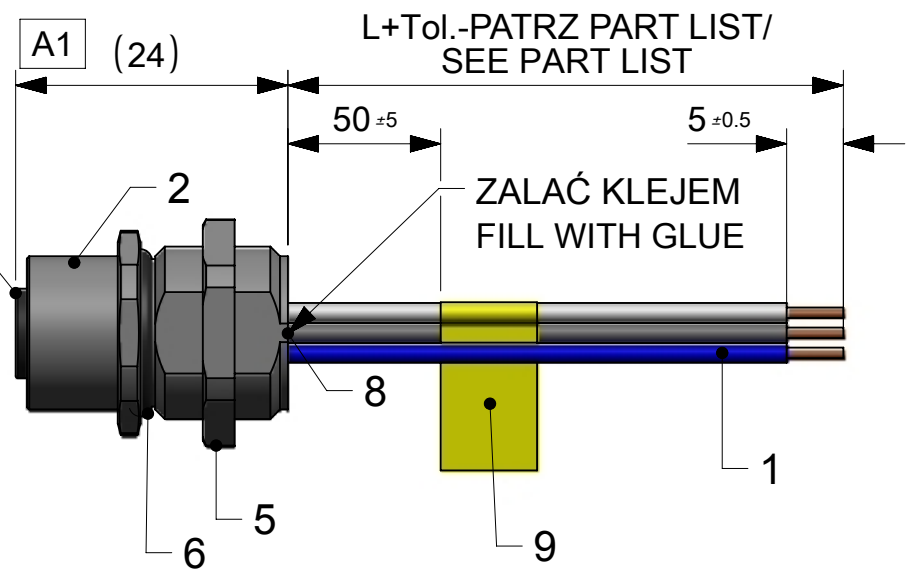


WIDOK OD STRONY DRUTÓW  
VIEW FROM THE WIRES SIDE

PIN	KOLOR PRZEWODU	WIRE COLOR
1	BRAZOWY	BN
2	BIAŁY	WH
3	NIEBIESKI	BU
4	CZARNY	BK
5	SZARY	GY



WIDOK OD STRONY CZOŁA  
VIEW FROM THE FRONT SIDE



**UWAGA:**  
 1. BOM, PART LIST & MATRIX NA DRUGIEJ STRONIE  
 2. DLA PRZEWODÓW I12 ZAMIAST SZAREGO - ZIELONO ŻÓŁTY PRZEWÓD

**NOTE:**  
 1. BOM, PART LIST & MATRIX ON SECOND SHEET  
 2. FOR WIRES I12 USE GRAY INSTEAD GREEN/YELLOW WIRE

THIS DRAWING CONTAINS INFORMATION THAT IS PROPRIETARY TO MOLEX ELECTRONIC TECHNOLOGIES, LLC AND SHOULD NOT BE USED WITHOUT WRITTEN PERMISSION											
SYMBOLS		DIMENSION UNITS		SCALE		CURRENT REV DESC:					
▽ = 0		mm		1.5:1		EC NO: 612520					
∇ = 0		GENERAL TOLERANCES (UNLESS SPECIFIED)				DRWN: MKOWALCZYK01 2019/02/21					
∇ = 0		ANGULAR TOL ± °				CHK'D: DSTACHOWIAK 2019/02/21					
S = 0		4 PLACES ±				APPR: DSTACHOWIAK 2019/02/21					
▼ = 0		3 PLACES ±				INITIAL REVISION:					
∇ = 0		2 PLACES ± 0.05				DRWN: MKOWALCZYK01 2019/02/18					
⊠ = 0		1 PLACE ± 0.3				APPR: DSTACHOWIAK 2019/02/19					
■ = 0		0 PLACES ± 0.5				DOCUMENT NUMBER					
▽ = 0		DRAFT WHERE APPLICABLE MUST REMAIN WITHIN DIMENSIONS				THIRD ANGLE PROJECTION		DRAWING		SERIES	
						A4-SIZE		120011		MATERIAL NUMBER	
						SEE SHEET 2		CUSTOMER		SHEET NUMBER	
						GENERAL MARKET		1 OF 2			

**molex**

MMC-5P-REC-FE-PG9-XM-CEI

PRODUCT DESIGN DRAWING

1200110301 PDD 00P A1

# KLUCZ / PART No MATRIX

8 R 5 J 3 0 X X X X X X X X

8R = Micro-Change Receptacle

Poles: 5 = 5 Poles

Konfiguracja:  
Heads style:  
J30 = Żeński kontakt  
Żeński gwint M12/  
PG9 Gwint montujący  
Female contact,  
Female thread M12  
PG9 Mounting Thread

Kabel: Patrz TABELA 1  
Cable: See TABLE 1

Jednostka:  
Units:  
M = Metr/  
Meter  
C = Centymetr  
Centimeter

Przykłady  
Długości:  
Length  
Examples:  
005 = 0.5  
010 = 1  
020 = 2

Nakrętka/  
Nut material:  
3= Brass Nickel  
Plated (Standard)

TABELA 1 / TABLE 1

MOLEX PN	CABLE TYPE	AWG	COLOR
1202098128	I12	20	BN
1202098140	I12	20	WH
1202098129	I12	20	BU
1202098127	I12	20	BK
1202098131	I12	20	GN/YE
1202098145	E03	22	BN
1202098163	E03	22	WH
1202098146	E03	22	BU
1202098143	E03	22	BK
1202098151	E03	22	GY

BOM

ITEM	QTY	MOLEX PN	DESCRIPTION	MATERIAL	FINISH/MATERIAL
9	1	1302280252	LABEL WRAP	VINYL	YELLOW
8	-	1203123115	POTTING MATERIAL	WEVO	-
		1203123114			
7	1	1202040002	GASKET	FPM	RED
6	1	1202040009	O-RING	NBR	BLACK
5	1	1203290012	LOCKNUT PG9	BRASS	NICKEL PLATED
4	5	1301970078	TERMINAL CONTACT	CDA	NICKEL PLATED
3	1	1302030044	INSERT M12 5P FE	ZYTEL	BLACK
2	1	1203020089	REC SHELL M12(FE)xPG9(M)	BRASS	NICKEL PLATED
1	-	SEE TABLE 1	WIRES	PVC	SEE TABLE 1

PART LIST

MOLEX PN	ENGINEERING NO	L+Tol.[mm]
1200110037	8R5J30E03C5003	500 +45
1200110038	8R5J30E03M0203	2000 +89
1200110266	8R5J30I12M0303	3000 +89
1200110301	8R5J30I12M0703	7000 +165
1200110342	8R5J30E03M0103	1000 +56
1200700229	8R5J30E03C3003	300 +19

<b>SYMBOLS</b> THIS DRAWING CONTAINS INFORMATION THAT IS PROPRIETARY TO MOLEX ELECTRONIC TECHNOLOGIES, LLC AND SHOULD NOT BE USED WITHOUT WRITTEN PERMISSION DIMENSION UNITS: mm SCALE: 1:1 CURRENT REV DESC: EC NO: 612520 DRWN: MKOWALCZYK01 2019/02/21 CHK'D: DSTACHOWIAK 2019/02/21 APPR: DSTACHOWIAK 2019/02/21 INITIAL REVISION: DRWN: MKOWALCZYK01 2019/02/18 APPR: DSTACHOWIAK 2019/02/19 DRAFT WHERE APPLICABLE MUST REMAIN WITHIN DIMENSIONS THIRD ANGLE PROJECTION DRAWING SERIES: A4-SIZE 120011 MATERIAL NUMBER: SEE PART LIST CUSTOMER: GENERAL MARKET SHEET NUMBER: 2 OF 2	GENERAL TOLERANCES (UNLESS SPECIFIED) ANGULAR TOL ± ° 4 PLACES ± 3 PLACES ± 2 PLACES ± 0.05 1 PLACE ± 0.3 0 PLACES ± 0.5		DOCUMENT NUMBER: 1200110301 DOC TYPE: PDD DOC PART: 00P REVISION: A1	
	DIMENSION UNITS: mm SCALE: 1:1 CURRENT REV DESC: EC NO: 612520 DRWN: MKOWALCZYK01 2019/02/21 CHK'D: DSTACHOWIAK 2019/02/21 APPR: DSTACHOWIAK 2019/02/21 INITIAL REVISION: DRWN: MKOWALCZYK01 2019/02/18 APPR: DSTACHOWIAK 2019/02/19 DRAFT WHERE APPLICABLE MUST REMAIN WITHIN DIMENSIONS THIRD ANGLE PROJECTION DRAWING SERIES: A4-SIZE 120011 MATERIAL NUMBER: SEE PART LIST CUSTOMER: GENERAL MARKET SHEET NUMBER: 2 OF 2		DOCUMENT NUMBER: 1200110301 DOC TYPE: PDD DOC PART: 00P REVISION: A1	

DOCUMENT STATUS	P1	RELEASE DATE	2019/02/21	09:06:20
-----------------	----	--------------	------------	----------