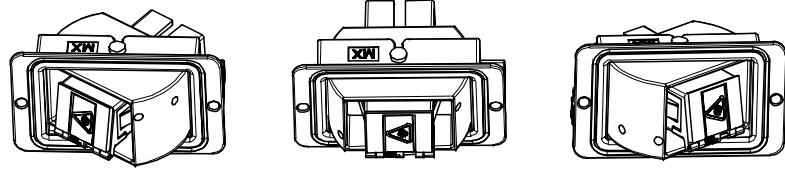
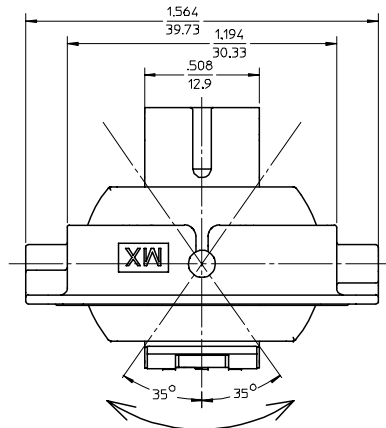


13 12 11 10 9 8 7 6 5 4 3 2 1

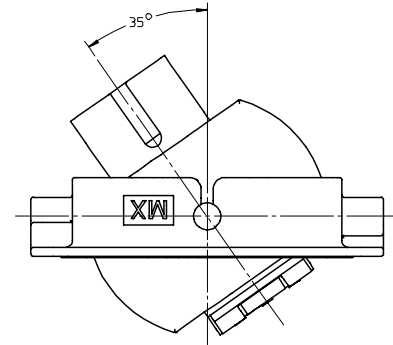


ROTATED -35° STRAIGHT POSITION (0°) ROTATED +35°

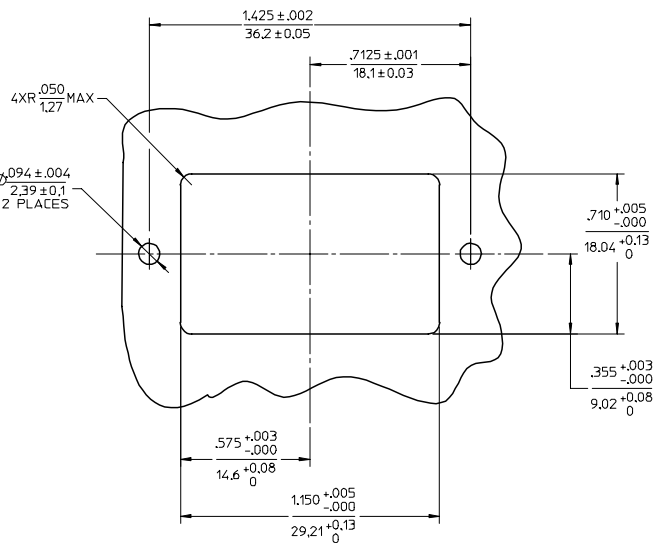
ISOMETRIC VIEWS
SCALE: 1.5:1



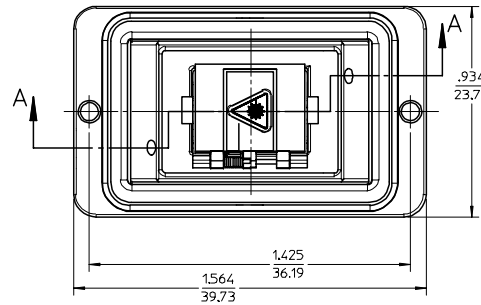
ROTATION AVAILABLE: ±35°



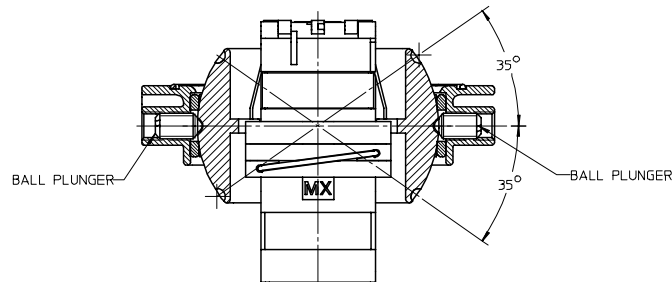
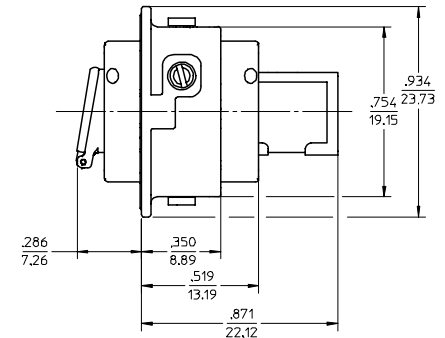
TOP VIEW
ADAPTER ROTATED +35°



RECOMMENDED MOUNTING PATTERN



SECTION A-A



BALL PLUNGER BALL PLUNGER

NOTES:

1. ALL DIMENSIONS ARE FOR REFERENCE ONLY.
2. SWIVEL ADAPTER IS ALSO AVAILABLE AS LC, MU, AND MPQ VERSIONS.

ENTER DESCRIPTION FCC NO: MF2006-0389 DRAWN: PGIBLIN CHKD: 2005/12/14 APPR: JGUMIN 2005/12/14	QUALITY SYMBOLS ▽=0 ▽=0	GENERAL TOLERANCES (UNLESS SPECIFIED)		DIMENSION STYLE INCH ONLY		SCALE 4:1	DESIGN UNITS INCH	THIRD ANGLE PROJECTION	
		4 PLACES ± --- ± ---	mm INCH	DRAWN BY PGIBLIN	DATE 12/05/05	TITLE SC EMI SWIVEL ADAPTER (2X) BALL PLUNGER VERSION			
		3 PLACES ± --- ± ---		CHECKED BY	DATE	MOLEX INCORPORATED			
		2 PLACES ± --- ± --- 1 PLACE ± --- ± ---		APPROVED BY	DATE	MATERIAL NO. 1061169000			
ANGLULAR ±1/2°		DRAFT WHERE APPLICABLE MUST REMAIN WITHIN DIMENSIONS		SIZE C		DOCUMENT NO. SD-106116-9000	SHEET NO. 1 OF 01		
THIS DRAWING CONTAINS INFORMATION THAT IS PROPRIETARY TO MOLEX INCORPORATED AND SHOULD NOT BE USED WITHOUT WRITTEN PERMISSION									

12 11 10 9 8 7 6 5 4 3 2 1