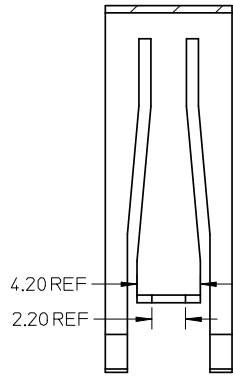
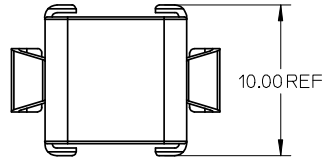
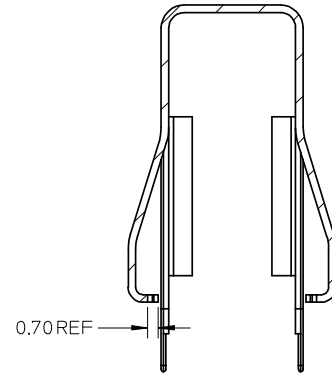


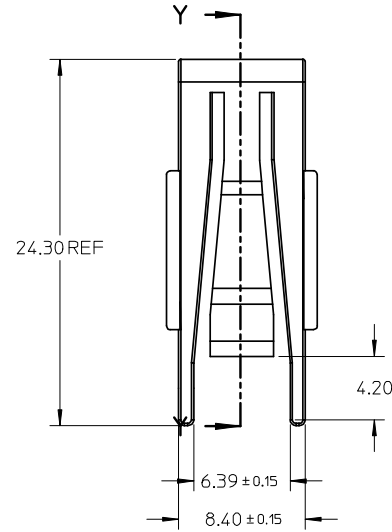
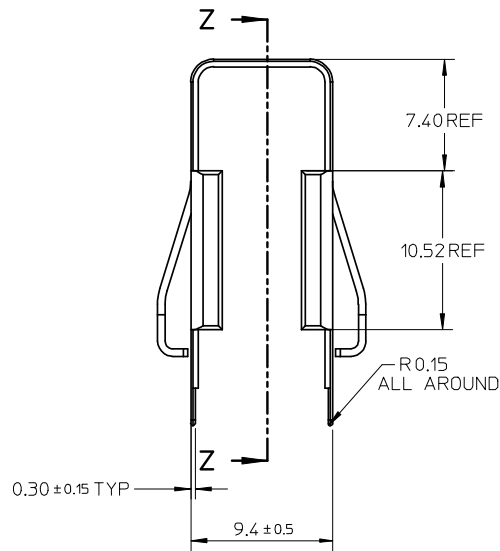
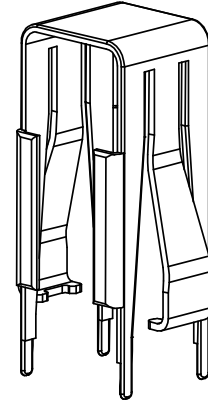
10 9 8 7 6 5 4 3 2 1



SECTION Z-Z



SECTION Y-Y



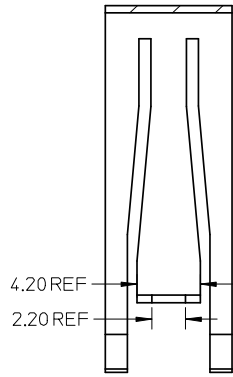
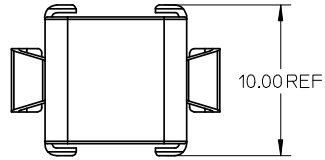
NOTE:

- 1.MATERIAL: 0.5MM STAINLESS STEEL SUS301.
- 2.FINISH: NON-PLATING.
- 3.COMPLIANT TO RoHS DIRECTIVE 200/95/EC AND ELV 2000/53/EC

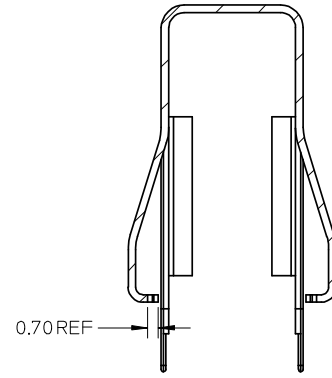
NEW RELEASE EC NO: SHZ008-04Z1 DRW:MSH CHKD:YLZHU APPR:HWANG	2008/02/22 2008/02/26 2008/03/20	DESCRIPTION REV	QUALITY SYMBOLS	GENERAL TOLERANCES (UNLESS SPECIFIED)	DIMENSION STYLE	SCALE	DESIGN UNITS	THIRD ANGLE PROJECTION
			$\nabla = 0$ $\square = 0$	mm INCH 4 PLACES ± --- ± --- 3 PLACES ± --- ± --- 2 PLACES ± 0.25 ± --- 1 PLACE ± 0.25 ± --- ANGULAR ± 3 °	MM ONLY	8:1	METRIC	TITLE EXTRACTOR FOR 8.5X8.5 CAMERA SOCKET MOLEX INCORPORATED DOCUMENT NO. SD-47337-007 SHEET NO. 1 OF 1
				DRAFT WHERE APPLICABLE MUST REMAIN WITHIN DIMENSIONS	DRAWN BY: IHE DATE: 2006/08/28 CHECKED BY: YLZHU DATE: 2007/10/31 APPROVED BY: HWANG DATE: 2007/10/31			
					MATERIAL NO. 473370007 SIZE A3 THIS DRAWING CONTAINS INFORMATION THAT IS PROPRIETARY TO MOLEX INCORPORATED AND SHOULD NOT BE USED WITHOUT WRITTEN PERMISSION			

9 8 7 6 5 4 3 2 1

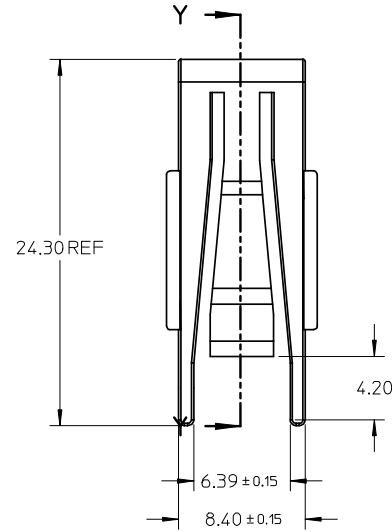
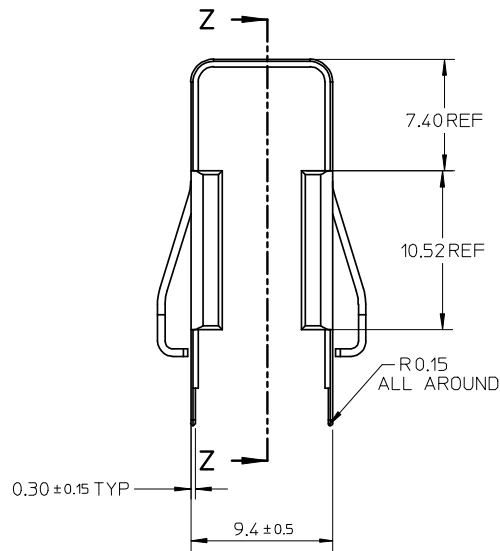
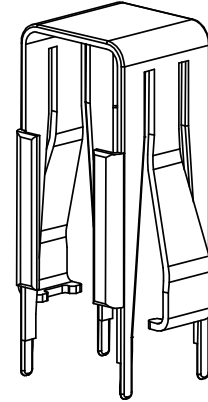
10 9 8 7 6 5 4 3 2 1



SECTION Z-Z



SECTION Y-Y



NOTE:

- 1.MATERIAL: 0.5MM STAINLESS STEEL SUS301.
- 2.FINISH: NON-PLATING.
- 3.COMPLIANT TO RoHS DIRECTIVE 200/95/EC AND ELV 2000/53/EC

NEW RELEASE EC NO: SHZ008-04Z1 DRW:MSH CHKD:YLZHU APPR:HWANG	2008/02/22 2008/02/26 2008/03/20	DESCRIPTION REV	QUALITY SYMBOLS	GENERAL TOLERANCES (UNLESS SPECIFIED)	DIMENSION STYLE	SCALE	DESIGN UNITS	THIRD ANGLE PROJECTION
			$\nabla = 0$ $\square = 0$	mm INCH 4 PLACES ± --- ± --- 3 PLACES ± --- ± --- 2 PLACES ± 0.25 ± --- 1 PLACE ± 0.25 ± --- ANGULAR ± 3 °	MM ONLY	8:1	METRIC	TITLE EXTRACTOR FOR 8.5X8.5 CAMERA SOCKET MOLEX INCORPORATED DOCUMENT NO. SD-47337-007 SHEET NO. 1 OF 1
				DRAFT WHERE APPLICABLE MUST REMAIN WITHIN DIMENSIONS	DRAWN BY IHE DATE 2006/08/28 CHECKED BY YLZHU DATE 2007/10/31 APPROVED BY HWANG DATE 2007/10/31			
					MATERIAL NO. 473370007 SIZE A3 THIS DRAWING CONTAINS INFORMATION THAT IS PROPRIETARY TO MOLEX INCORPORATED AND SHOULD NOT BE USED WITHOUT WRITTEN PERMISSION			

9 8 7 6 5 4 3 2 1