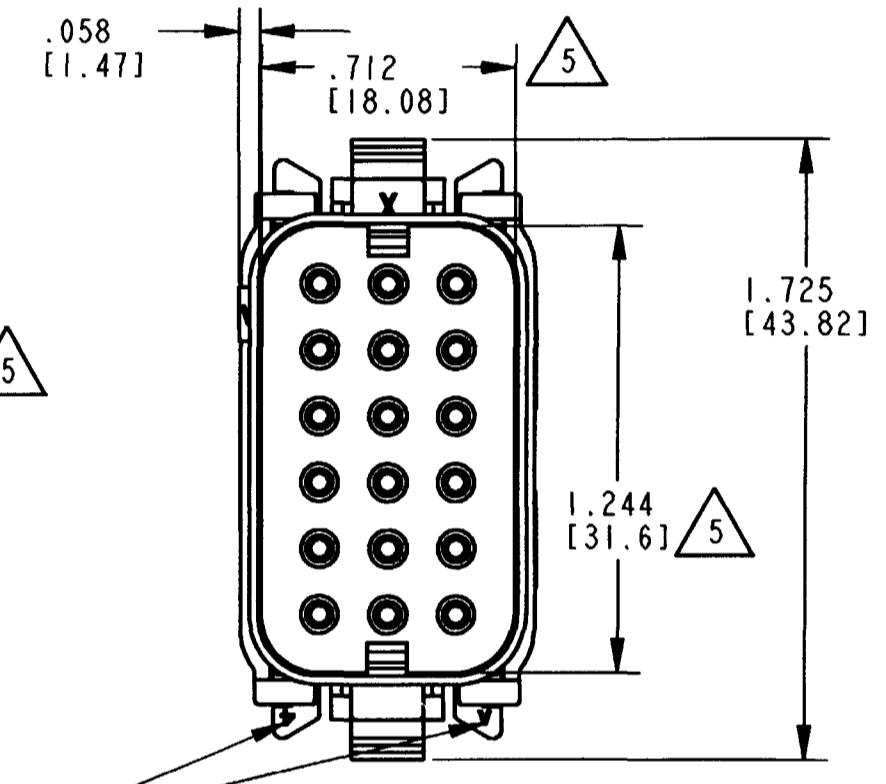
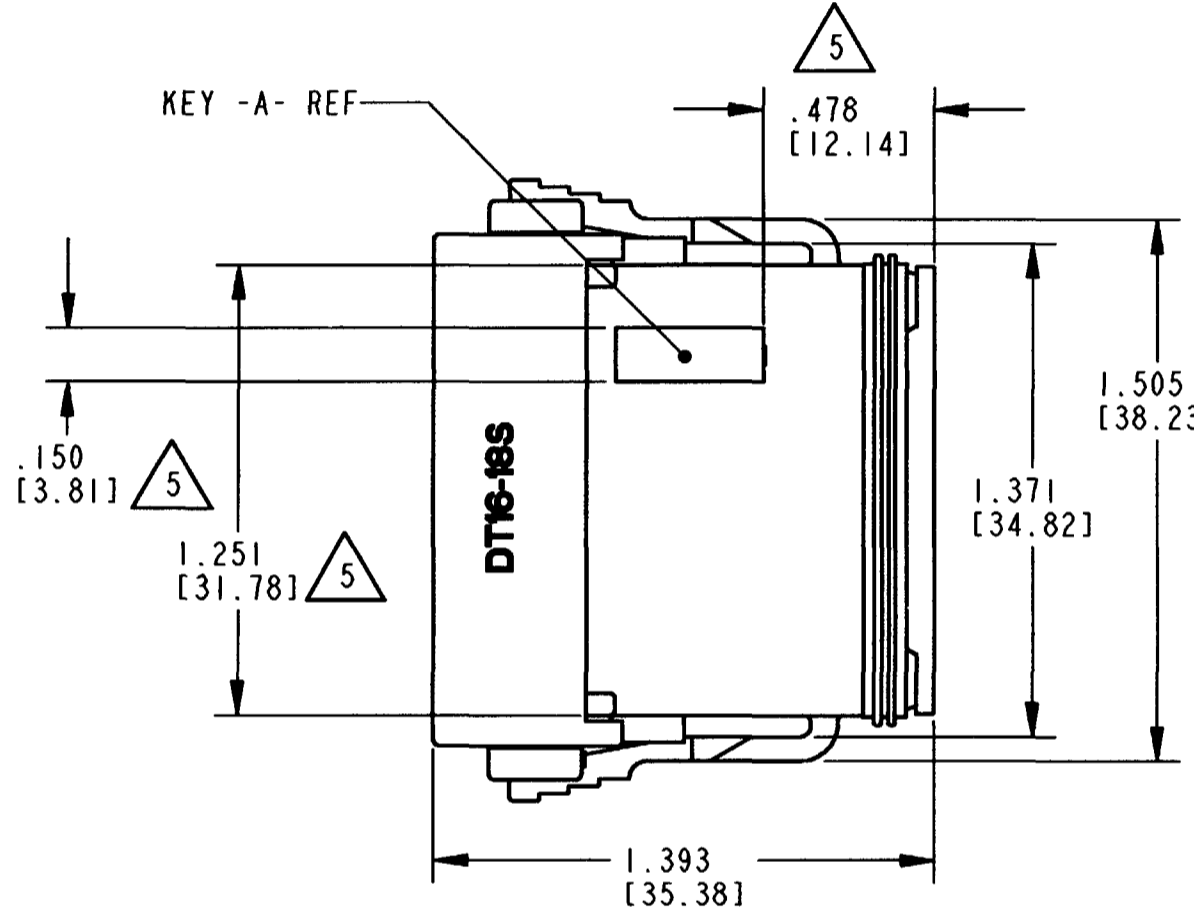
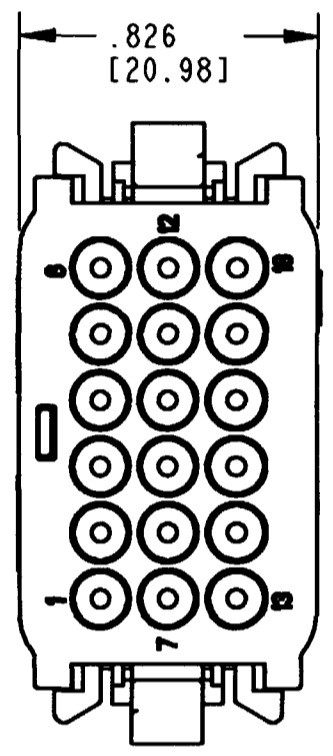


REV  
NC DT16-18S\*EK02

REVISIONS			
SYM	DESCRIPTION	DATE	APPROVED
NC	NEW RELEASE PER E.O. P19673	12-11-07	RDR



DATE CODE: MONTH IS REPRESENTED BY SEQUENTIAL ALPHA CHARACTERS EX: A = JANUARY  
YEAR IS REPRESENTED BY LAST NUMERICAL DIGIT EX: 4 = 2004

5. DIMENSIONS HELD BY DESIGN CONTROLS.

4. MATERIAL: SHELL: PLASTIC  
SEAL: RUBBER

3. FOR CONTACTS AND WIRE PERFORMANCES AND APPLICATION CHARACTERISTICS.  
SEE ENVELOPE DRAWINGS 0425-015-0000 AND 0425-017-0000.

2. DIMENSIONS ARE ±.025 [ .64] UNLESS OTHERWISE SPECIFIED.

1. ALL DIMENSIONS ARE IN INCHES [MILLIMETERS].

NOTES:

CONTACT SIZE	MIN. INSUL. O.D.	MAX. INSUL. O.D.	WIRE RANGE [mm <sup>2</sup> ]
16	.053 [1.35]	.120 [3.05]	14-20 AWG [2.0-0.5]

SIGNATURE & DATE	
DR	R. MESSENGER 11/14/07
CHK	[Signature] 12/17/07
PE	R. Messenger 1/26/07
APPD	S. Bend 11/30/07
SCALE	NONE
WT	

18 WAY PLUG  
18 SIZE #16 CONTACTS  
-EK02 MOD.  
D.T. SERIES

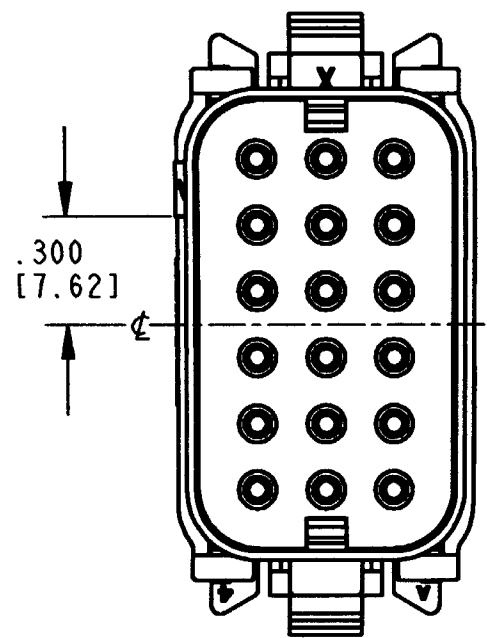
ENVELOPE

EP	MATL. CODE
3850 INDUSTRIAL AVE. HEMET, CA 92545	
<b>B</b>	<b>DT16-18S*EK02</b>
DWG. SIZE	CODE 7/139 SHEET 1 OF 2

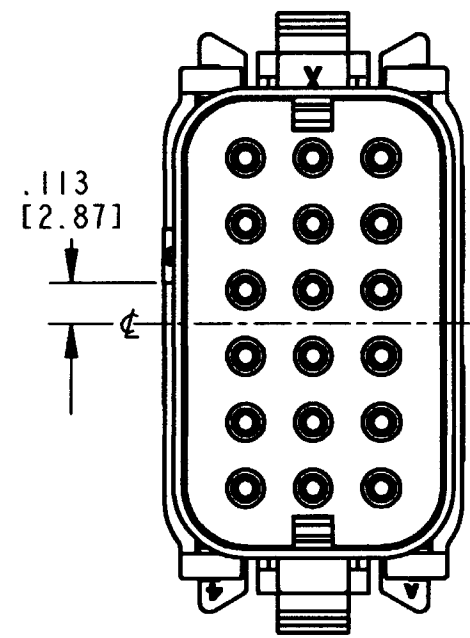
REV  
NC DT16-18S\*-EK02

REVISIONS			
SYM	DESCRIPTION	DATE	APPROVED
NC	NEW RELEASE PER E.O. PI9673	12-11-07	<i>RDR</i>

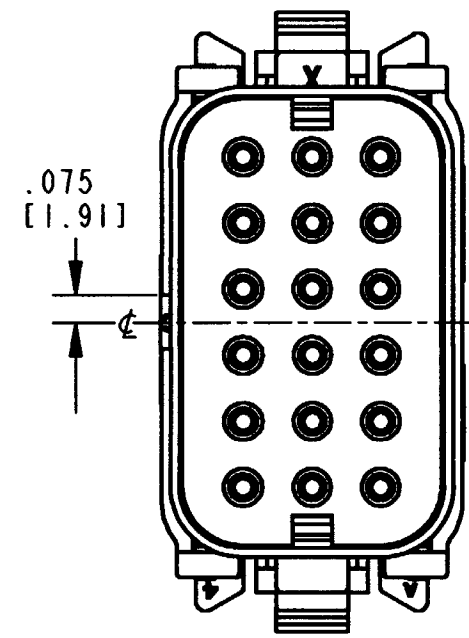
KEY ARR. -A-  
GRAY



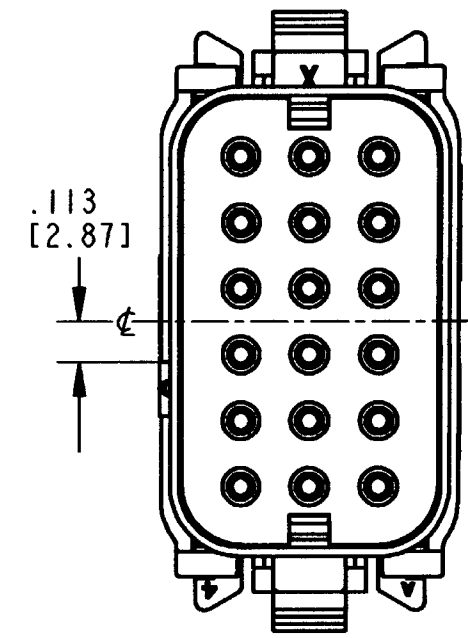
KEY ARR. -B-  
BLACK



KEY ARR. -C-  
GREEN



KEY ARR. -D-  
BROWN



NOTES:

SIGNATURE & DATE	
DR	<i>R. MESSENGER 11/14/07</i>
CHK	<i>[Signature] 12/7/07</i>
PE	<i>R. Messenger 11/26/07</i>
APPD	<i>[Signature] 11-30-07</i>
SCALE	NONE WT

18 WAY PLUG  
18 SIZE #16 CONTACTS  
-EK02 MOD.  
D.T. SERIES

ENVELOPE

EP	MATL. CODE
3850 INDUSTRIAL AVE. HEMET, CA 92545	
<b>DEUTSCH</b> INDUSTRIAL	
<b>B</b>	DT16-18S*-EK02
DWG SIZE	CODE 11139 SHEET 2 OF 2