



2.5G SINGLE PORT RJ45 CONNECTOR

AR11-4598I



- 2.5 Gigabit BaseT for LAN and other Ethernet Applications
- Transmit Open Circuit Inductance (OCL): 180 μ H (Min) @100KHz, 0.1Vrms with 8mA DC Bias
- Industrial Operating Temperature Range: -40°C to +85°C

Electrical Specifications @ 25°C

OCL(μ H Min) @ 100KHz, 0.1V	Turns Ratio @100KHz, 0.1V (\pm 5%)				CMR (dB Min)	CDMR (dB Min)	HI-POT 1.0mA, 60S
With 8mA DC Bias	P2-P3: J1-J2	P4-P5: J3-J6	P7-P8: J4-J5	P9-P10: J7-J8	30-150MHz	10-150MHz	INPUT TO OUTPUT
180	1:1	1:1	1:1	1:1	-30	-45+F/35	1200VAC

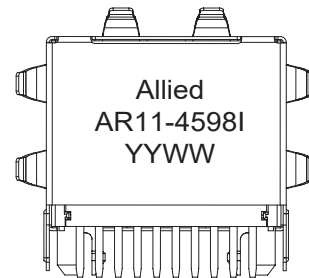
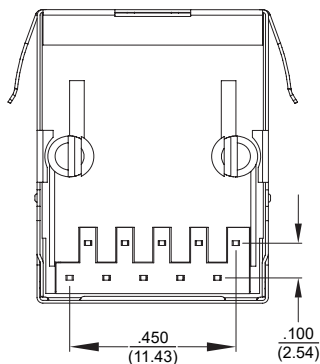
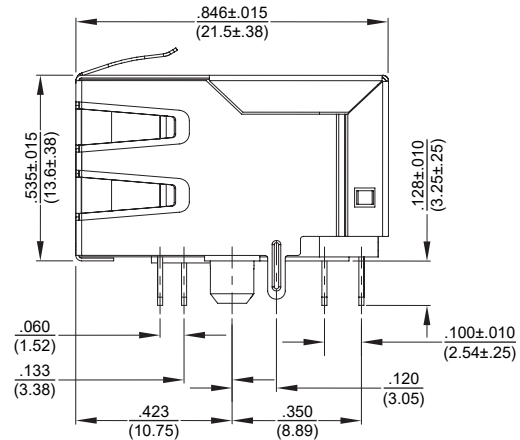
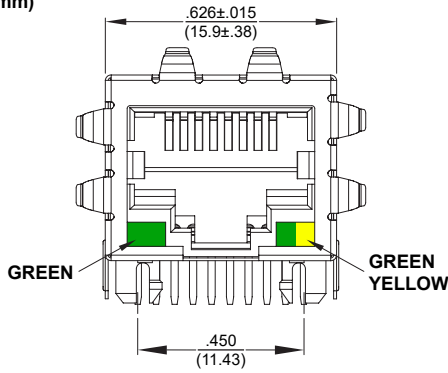
Electrical Specifications @ 25°C

Insertion Loss (dB Max)			Return Loss Phy Side (dB Min)		Return Loss Line Side (dB Min)		Cross Talk (dB Min)
1-100MHz	100-125MHz	125-150MHz	1-40MHz	40-150MHz	1-40MHz	40-150MHz	1-150MHz
-1.0	-1.2	-2.0	-20	-20+15*Log10(F/40)	-20	-20+15*Log10(F/40)	-40

All specifications subject to change without notice.

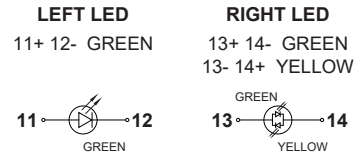
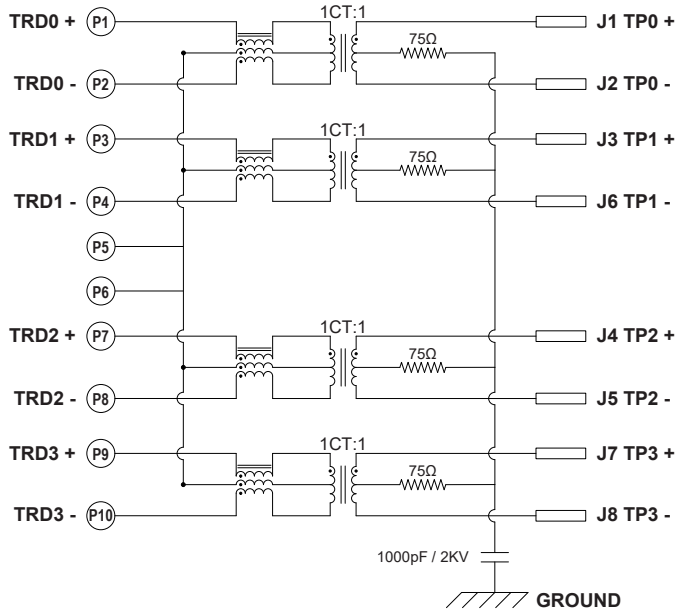
MECHANICAL

Dimensions: $\frac{\text{inch}}{\text{mm}}$





SCHEMATICS

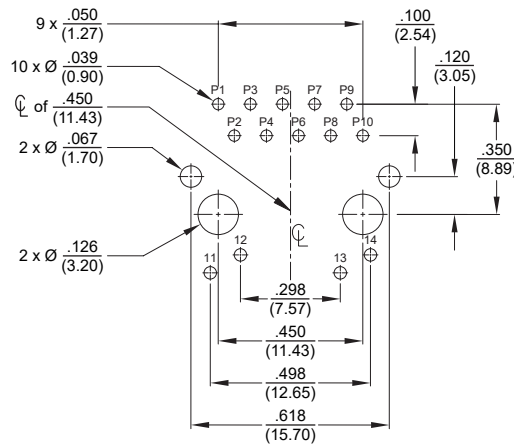


Standard LED	Wavelength	Forward Voltage
Green	565nm	2.5V Max
Yellow	585nm	2.5V Max

*With a forward current of 20mA

PCB LAYOUT

Dimensions: $\frac{\text{inch}}{\text{mm}}$



Tolerance $\pm .002$ (0.05mm)

NOTES

- Shield:** 0.20mm Thickness Brass C2680 H
Plating Nickel 20 μ " Min.
- Housing:** Plastic: Nylon 66, Glass Fiber Filled
Polyester UL94V-0 Standard Color Black
- Contact Pin:** Plastic: Nylon 66, Glass Fiber Filled
Polyester UL94V-0 Standard Color Black
Pin: 0.35mm Thickness Phosphor Bronze C5210 EH
Plating: Nickel 30 μ " - 60 μ " for all and Sn 100% and Gold Plating 30 μ "
- Insert Pin:** Plastic: Nylon 66, Glass Fiber Filled
Polyester UL94V-0 Standard Color Black
Pin: 0.35mm Thickness SUS430
Plating: Sn all over 30 μ " - 60 μ " Nickel