

CATALOG LISTING
9AC25-3

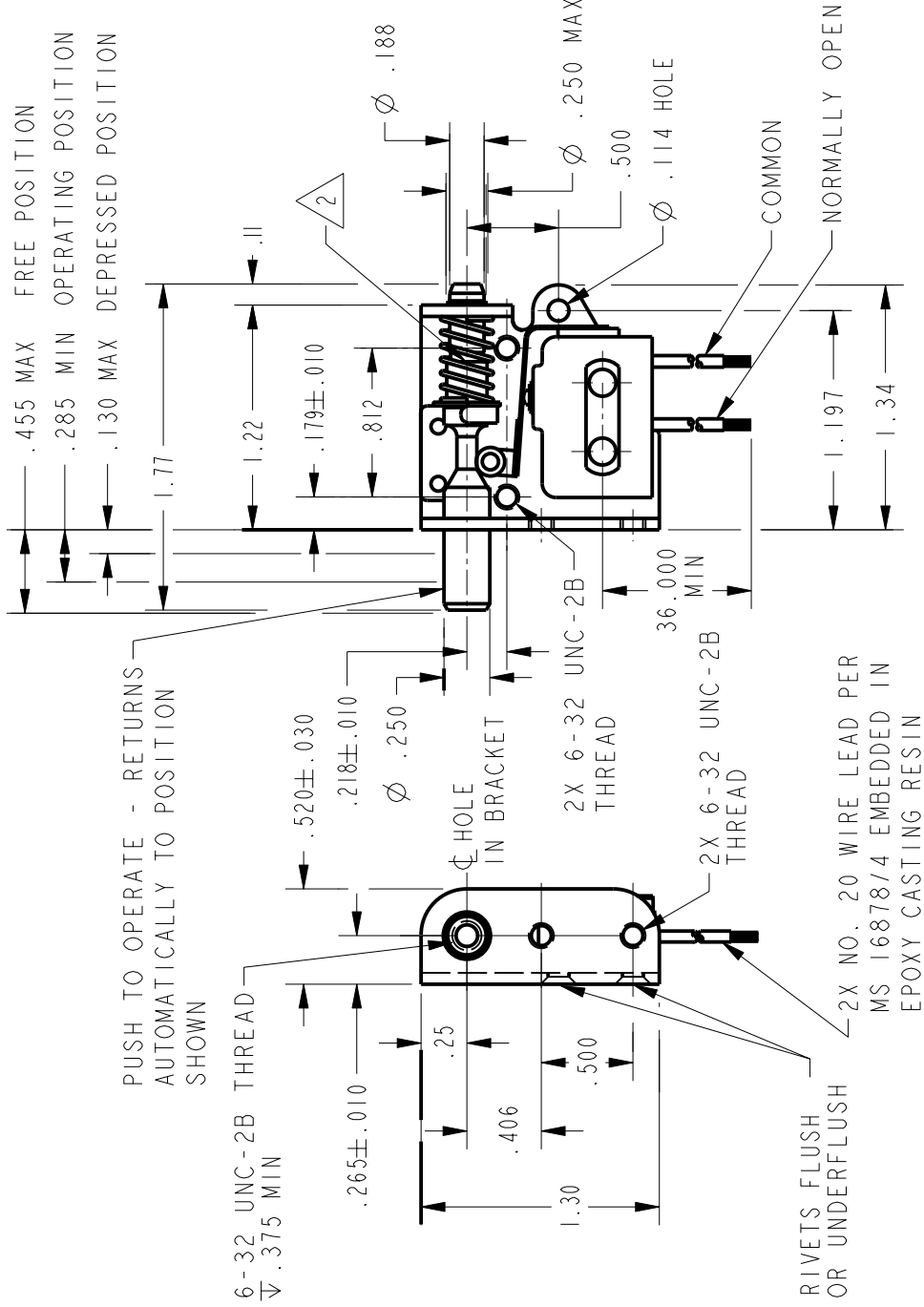
ISSUE
2

CHECK

RELEASE NO. PR-21307

PAGE 1 OF 1

REPLACES

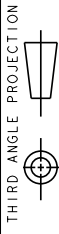


NOTES

- 1 - UNIT INCLUDES CATALOG LISTING "5SE3-3" BASIC SWITCH
- 2 - POSITIVE OVERTRAVEL STOP IS PROVIDED ON ROD UNDER SPRING

ANSI Y14.5M-1982 APPLIES

THIS DRAWING COVERS A PROPRIETARY ITEM AND IS THE PROPERTY OF MICRO SWITCH, A DIVISION OF HONEYWELL. THIS DRAWING IS NOT TO BE COPIED OR USED WITHOUT THE APPROVAL OF MICRO SWITCH.



CHARACTERISTICS		ELECTRICAL DATA		SCALE		DO NOT SCALE PRINT
TOTAL TRAVEL .250 APPROX PUSH DIRECTION		CONTACT ARRANGEMENT S P N O		UNLESS OTHERWISE SPECIFIED TOLERANCES ARE		
		250 VAC ----- 5 AMP		ONE PLACE (. 0)	(. 0)	± .030
		30 VOLTS DC RATING		TWO PLACE (. 00)	(. 00)	± .015
		INDUCTIVE ----- SEA LEVEL ----- 3 AMP 50,000 FT ----- 2.5 AMP		THREE PLACE (. 000)	(. 000)	± .005
		RESISTIVE ----- SEA LEVEL ----- 5 AMP 50,000 FT ----- 5 AMP		ANGLES		±
		MAXIMUM INRUSH ----- 24 AMP		WEIGHT		

PTC/CAD 20

DRAWN

KED 16 OCT 00

CHECK

SAV

16 OCT 00

CHECK

REV A 201530

1600Y100

2

CHECK