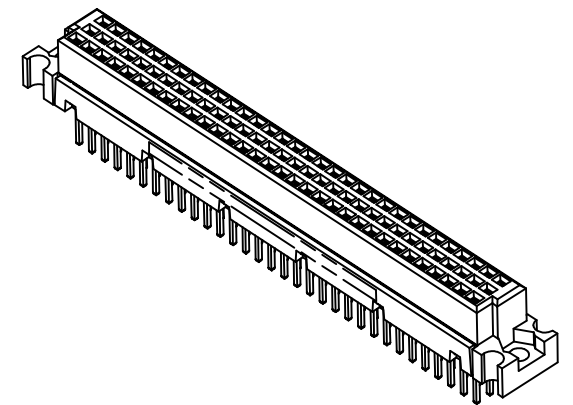


**NOTES:**  
 1. LEAD FREE OR RoHS DIRECTIVE LABELING TO BE PROVIDED AS PER GS-14-920 FOR LF PRODUCTS.  
 2. THE "LF" PRODUCT MEETS EUROPEAN UNION DIRECTIVES AND OTHER COUNTRY REGULATIONS AS DESCRIBED IN GS-22-008.



**NOTES:**  
 1. BODY MATERIAL : PBTB PLASTIC  
 2. TERMINAL MATERIAL : PHOSPOR BRONZE

mat'l. code SEE NOTES				surface ISO 1302 ✓		tolerance ISO 406 ISO 1101		projection mm		product family DIN			
ltr	ecn no	dr	date	tolerances unless otherwise specified		angles		linear		title CONNECTOR DIN 3x32 POS.			
A	F10721	DLE	2001-12-04							scale 2:1			
B	F040155	DLE	2004-03-18							F			
C	I05-0066	MINI	2005-04-28							D			
D	I05-0123	MINI	2005-07-27	dr	D.LEGRAND	2004-12-01			E		sheet 1 of 5		
E	I06-0082	MINI	2006-06-01	enr	D.LEGRAND	2004-03-18			F		size A3		
F	I10-0066	KR	2010-03-08	chr	KESAVAN.R	2010-03-08			G		type Product Customer Drawing		
				appd	KESAVAN.R	2010-03-08			H				
sheet index		revision sheet		F	D	D	D	D					
				1	2	3	4	5					

FCI  
FCIconnect.com

Copyright FCI

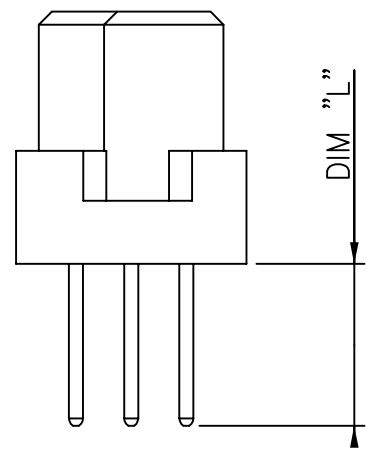


FIGURE 1

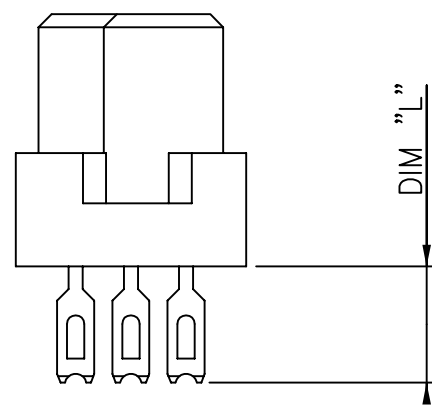


FIGURE 2

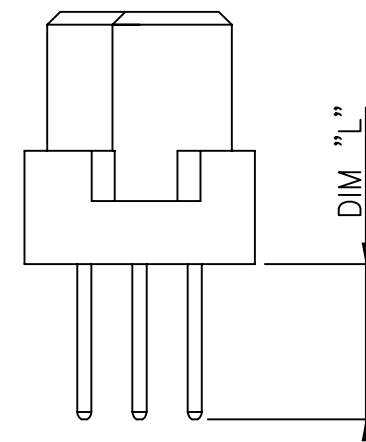


FIGURE 3

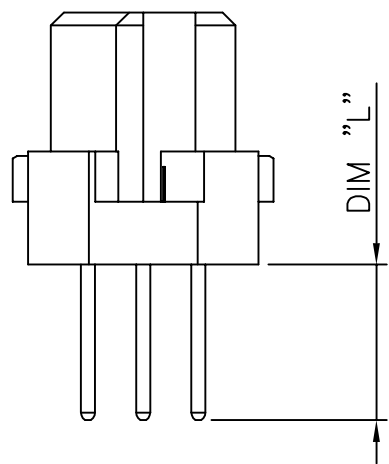


FIGURE 4

NOTES:  
SLOT PROVIDED ON THE MATING SIDE IN FIGURE 4 IS OPTIONAL

NOTES:  
1. LEAD FREE OR RoHS DIRECTIVE LABELING TO BE PROVIDED AS PER GS-14-920 FOR LF PRODUCTS.  
2. THE "LF" PRODUCT MEETS EUROPEAN UNION DIRECTIVES AND OTHER COUNTRY REGULATIONS AS DESCRIBED IN GS-22-008.

mat'l. code				surface		tolerance		projection		product family			
-				ISO 1302		ISO 406 ISO 1101				DIN			
tolerances unless otherwise specified				angles		linear		mm		title			
A F10721 DLE 2001-12-04								scale 2:1		CONNECTOR DIN			
B 105-0066 MINI 2004-26-05										3x32 POS.			
C 105-0123 MINI 2005-07-27										dwg no			
D 106-0082 MINI 2006-06-01				dr		D.LEGRAND 2001-12-04				sheet 2 of 5		size	
				enr		J.F.NOTTEAU 2001-12-04				72902		A3	
				chr		RAKHEE GEORGE 2006-06-01				type Product Customer Drawing			
				appd		RAKHEE GEORGE 2006-06-01							
sheet index		revision sheet											



Copyright FCI



PRODUCT NUMBER	CUSTOMER P/N	PIN LOADED IN POSITION																																DIM "L" ±0.5 If no spec	REMARKS	PLATING	COMMENT		
		ROW	1	2	3	4	5	6	7	8	9	10	11	12	13	14	15	16	17	18	19	20	21	22	23	24	25	26	27	28	29	30	31					32	
72902-252	RNV 301 204	A	X	X	X	X	X	X	X	X	X	X	X	X	X	X	X	X	X	X	X	X	X	X	X	X	X	X	X	X	X	X	X	X	X	13.5	FIG 1	CONTACT AREA: 2µm Au TERMINATION: GOLD FLASH Ni ALL OVER	
72902-252LF		B	X	X	X	X	X	X	X	X	X	X	X	X	X	X	X	X	X	X	X	X	X	X	X	X	X	X	X	X	X	X	X	X	X	X			
72902-253	RNV 301 403	A	X	X	X	X	X	X	X	X	X	X	X	X	X	X	X	X	X	X	X	X	X	X	X	X	X	X	X	X	X	X	X	X	X	13.5	FIG 1	CONTACT AREA: 2µm Au TERMINATION: GOLD FLASH Ni ALL OVER	
72902-253LF		B	X	X	X	X	X	X	X	X	X	X	X	X	X	X	X	X	X	X	X	X	X	X	X	X	X	X	X	X	X	X	X	X	X	X			
72902-254	RNV 301 305	A	X	X	X	X	X	X	X	X	X	X	X	X	X	X	X	X	X	X	X	X	X	X	X	X	X	X	X	X	X	X	X	X	X	13.5	FIG 1	CONTACT AREA: 2µm Au TERMINATION: GOLD FLASH Ni ALL OVER	
72902-254LF		B	X	X	X	X	X	X	X	X	X	X	X	X	X	X	X	X	X	X	X	X	X	X	X	X	X	X	X	X	X	X	X	X	X	X			
72902-255	RNV 301 503	A	X	X	X	X	X	X	X	X	X	X	X	X	X	X	X	X	X	X	X	X	X	X	X	X	X	X	X	X	X	X	X	X	X	13.5	FIG 1	CONTACT AREA: 2µm Au TERMINATION: GOLD FLASH Ni ALL OVER	
72902-255LF		B	X	X	X	X	X	X	X	X	X	X	X	X	X	X	X	X	X	X	X	X	X	X	X	X	X	X	X	X	X	X	X	X	X	X			
72902-262	RNV 301 202/2	A	X	X	X	X	X	X	X	X	X	X	X	X	X	X	X	X	X	X	X	X	X	X	X	X	X	X	X	X	X	X	X	X	X	7.5	FIG 1	CONTACT AREA: 2µm Au TERMINATION: GOLD FLASH Ni ALL OVER	
72902-262LF		B	X	X	X	X	X	X	X	X	X	X	X	X	X	X	X	X	X	X	X	X	X	X	X	X	X	X	X	X	X	X	X	X	X	X			
72902-263	RNV 301 401/2	A	X	X	X	X	X	X	X	X	X	X	X	X	X	X	X	X	X	X	X	X	X	X	X	X	X	X	X	X	X	X	X	X	X	7.5	FIG 1	CONTACT AREA: 2µm Au TERMINATION: GOLD FLASH Ni ALL OVER	
72902-263LF		B	X	X	X	X	X	X	X	X	X	X	X	X	X	X	X	X	X	X	X	X	X	X	X	X	X	X	X	X	X	X	X	X	X	X			
72902-264	RNV 301 302/2	A	X	X	X	X	X	X	X	X	X	X	X	X	X	X	X	X	X	X	X	X	X	X	X	X	X	X	X	X	X	X	X	X	X	7.5	FIG 1	CONTACT AREA: 2µm Au TERMINATION: GOLD FLASH Ni ALL OVER	
72902-264LF		B	X	X	X	X	X	X	X	X	X	X	X	X	X	X	X	X	X	X	X	X	X	X	X	X	X	X	X	X	X	X	X	X	X	X			
72902-265	RNV 301 501/2	A	X	X	X	X	X	X	X	X	X	X	X	X	X	X	X	X	X	X	X	X	X	X	X	X	X	X	X	X	X	X	X	X	X	7.5	FIG 1	CONTACT AREA: 2µm Au TERMINATION: GOLD FLASH Ni ALL OVER	
72902-265LF		B	X	X	X	X	X	X	X	X	X	X	X	X	X	X	X	X	X	X	X	X	X	X	X	X	X	X	X	X	X	X	X	X	X	X			
72902-272	RNV 301 202/3	A	X	X	X	X	X	X	X	X	X	X	X	X	X	X	X	X	X	X	X	X	X	X	X	X	X	X	X	X	X	X	X	X	X	3.3 <sup>0</sup> <sub>-0.6</sub>	FIG 1	CONTACT AREA: 2µm Au TERMINATION: GOLD FLASH Ni ALL OVER	
72902-272LF		B	X	X	X	X	X	X	X	X	X	X	X	X	X	X	X	X	X	X	X	X	X	X	X	X	X	X	X	X	X	X	X	X	X	X			
72902-274	RNV 301 302/3	A	X	X	X	X	X	X	X	X	X	X	X	X	X	X	X	X	X	X	X	X	X	X	X	X	X	X	X	X	X	X	X	X	X	3.3 <sup>0</sup> <sub>-0.6</sub>	FIG 1	CONTACT AREA: 2µm Au TERMINATION: GOLD FLASH Ni ALL OVER	OBSOLETE
72902-274LF		B	X	X	X	X	X	X	X	X	X	X	X	X	X	X	X	X	X	X	X	X	X	X	X	X	X	X	X	X	X	X	X	X	X	X			
72902-275	RNV 301 501/3	A	X	X	X	X	X	X	X	X	X	X	X	X	X	X	X	X	X	X	X	X	X	X	X	X	X	X	X	X	X	X	X	X	X	3.3 <sup>0</sup> <sub>-0.6</sub>	FIG 3	CONTACT AREA: 2µm Au TERMINATION: GOLD FLASH Ni ALL OVER	
72902-275LF		B	X	X	X	X	X	X	X	X	X	X	X	X	X	X	X	X	X	X	X	X	X	X	X	X	X	X	X	X	X	X	X	X	X	X			
72902-279	RNV 301 501/4	A	X	X	X	X	X	X	X	X	X	X	X	X	X	X	X	X	X	X	X	X	X	X	X	X	X	X	X	X	X	X	X	X	X	3.3 <sup>0</sup> <sub>-0.6</sub>	FIG 3	CONTACT AREA: 2µm Au TERMINATION: GOLD FLASH Ni ALL OVER	OBSOLETE
72902-279LF		B	X	X	X	X	X	X	X	X	X	X	X	X	X	X	X	X	X	X	X	X	X	X	X	X	X	X	X	X	X	X	X	X	X	X			



**NOTES:**  
 1. LEAD FREE OR RoHS DIRECTIVE LABELING TO BE PROVIDED AS PER GS-14-920 FOR LF PRODUCTS.  
 2. THE "LF" PRODUCT MEETS EUROPEAN UNION DIRECTIVES AND OTHER COUNTRY REGULATIONS AS DESCRIBED IN GS-22-008.

mat'l. code		surface		tolerance		projection		product family	
-		ISO 1302		ISO 406 ISO 1101		mm		DIN	
ltr		ecn no		dr		date		title	
A		F10721		DLE		2001-12-04		CONNECTOR DIN	
B		F040155		DLE		2004-03-18		3x32 POS.	
C		I05-0123		MINI		2005-07-27		dwg no	
D		I06-0082		MINI		2006-06-01		sheet 4 of 5	
				D.LEGRAND		2001-12-04		size	
				enr		J.F.NOTTEAU		A3	
				chr		RAKHEE GEORGE		72902	
				appd		RAKHEE GEORGE		2006-06-01	
sheet		revision						type	
index		sheet						Product Customer Drawing	

Copyright FCI

PRODUCT NUMBER	CUSTOMER P/N	PIN LOADED IN POSITION																																DIM "L" ±0.5 If no spec	REMARKS	PLATING	
		ROW	1	3	5	7	9	11	13	15	17	19	21	23	25	27	29	31	2	4	6	8	10	12	14	16	18	20	22	24	26	28	30				32
72902-282	RNV 301 701	A	X	X	X	X	X	X	X	X	X	X	X	X	X	X	X	X	X	X	X	X	X	X	X	X	X	X	X	X	X	X	X	X	3.3 <sup>0</sup> <sub>-0.6</sub>	FIG 1	CONTACT AREA: 2µm Au . TERMINATION: LEADED PRODUCTS- SnPb 6-10µm, LEAD FREE PRODUCTS- Sn (MATTE TIN), Ni ALL OVER.
72902-282LF		B																																			
72902-284	RNV 301 702	A	X	X	X	X	X	X	X	X	X	X	X	X	X	X	X	X	X	X	X	X	X	X	X	X	X	X	X	X	X	X	X	X	3.3 <sup>0</sup> <sub>-0.6</sub>	FIG 1	CONTACT AREA: 2µm Au . TERMINATION: LEADED PRODUCTS- SnPb 6-10µm, LEAD FREE PRODUCTS- Sn (MATTE TIN), Ni ALL OVER.
72902-284LF		B	X	X	X	X	X	X	X	X	X	X	X	X	X	X	X	X	X	X	X	X	X	X	X	X	X	X	X	X	X	X	X	X	X		
72902-296	102 2056	A			X																												X		5	FIG 2	CONTACT AREA: 2µm Au . TERMINATION: LEADED PRODUCTS- SnPb 6-10µm, LEAD FREE PRODUCTS- Sn (MATTE TIN), Ni ALL OVER.
72902-296LF		B																																			
72902-354LF		A	X	X	X	X	X	X	X	X	X	X	X	X	X	X	X	X	X	X	X	X	X	X	X	X	X	X	X	X	X	X	X	X	13.5	FIG 1	CONTACT AREA: 2µm Au TERMINATION: GOLD FLASH Ni ALL OVER
		B	X	X	X	X	X	X	X	X	X	X	X	X	X	X	X	X	X	X	X	X	X	X	X	X	X	X	X	X	X	X	X	X			
		C	X	X	X	X	X	X	X	X	X	X	X	X	X	X	X	X	X	X	X	X	X	X	X	X	X	X	X	X	X	X	X	X			

**NOTES:**

- LEAD FREE OR RoHS DIRECTIVE LABELING TO BE PROVIDED AS PER GS-14-920 FOR LF PRODUCTS.
- THE "LF" PRODUCT MEETS EUROPEAN UNION DIRECTIVES AND OTHER COUNTRY REGULATIONS AS DESCRIBED IN GS-22-008.

mat'l. code		surface		tolerance		projection		product family	
-		ISO 1302		ISO 406 ISO 1101				DIN	
ltr		ecn no		dr		date		title	
A		F10721		DLE		2001-12-04		CONNECTOR DIN 3x32 POS.	
B		I05-0123		MINI		2005-07-27			
C		I06-0082		MINI		2006-06-01		scale 2:1	
D		I10-0066		KR		2010-03-08		sheet 5 of 5	
				D.LEGRAND		2001-12-04		72902	
				enr		J.F.NOTTEAU		A3	
				chr		KESAVAN.R		type Product Customer Drawing	
				appd		KESAVAN.R			
sheet index		revision sheet							



Copyright FCI