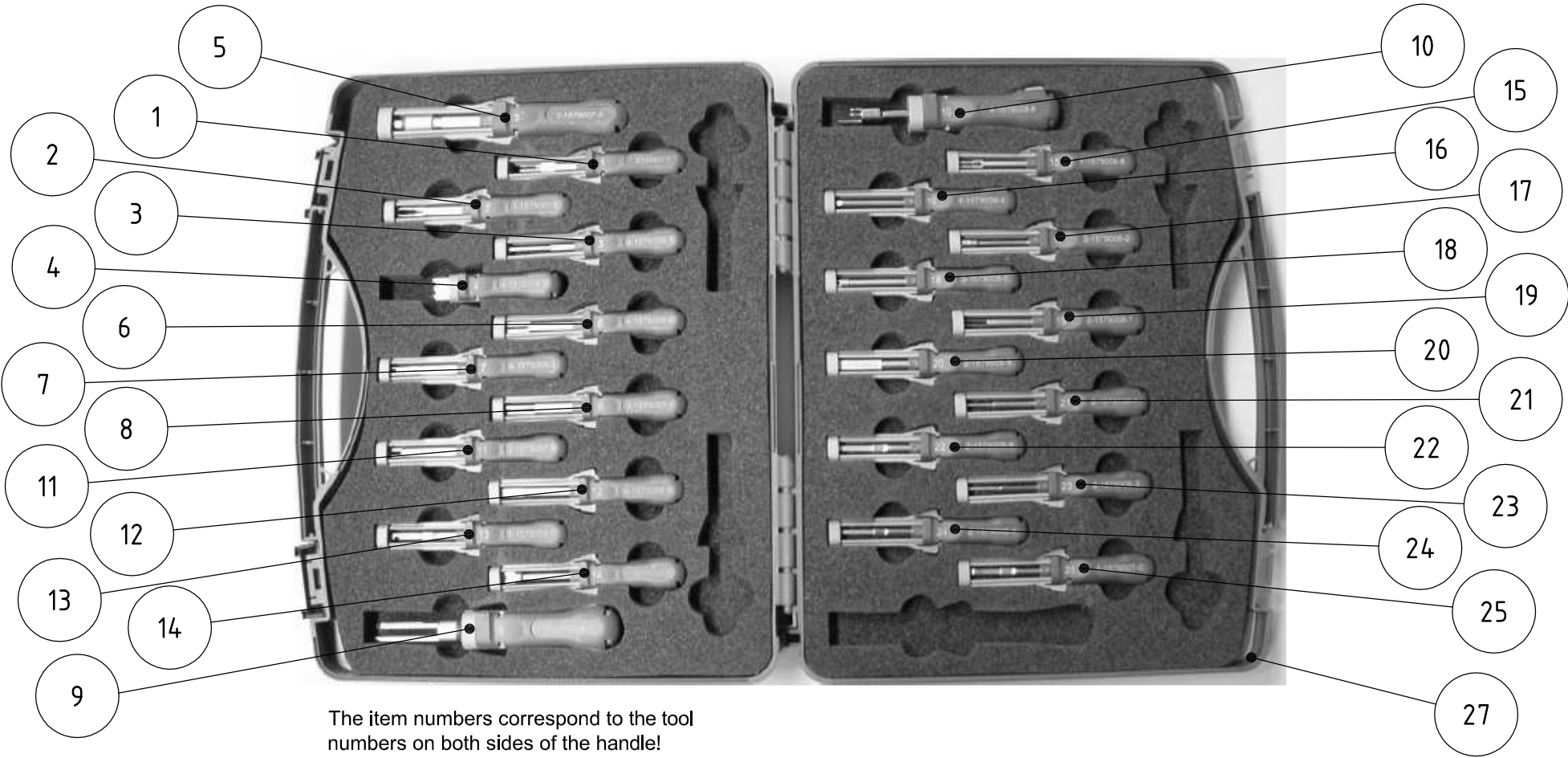

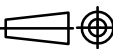


THIS DRAWING IS UNPUBLISHED. RELEASED FOR PUBLICATION  
 © COPYRIGHT BY TYCO ELECTRONICS CORPORATION. ALL INTERNATIONAL RIGHTS RESERVED.

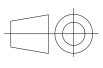

LDC		DIST		REVISIONS			
P	LTR	DESCRIPTION		DATE	DWN	APVD	
	B2	ECR-15-018543		02FEB16	KH	RG	



The item numbers correspond to the tool numbers on both sides of the handle!

<b>THIS DRAWING IS A CONTROLLED DOCUMENT.</b>		DWN G. Stegmayer 10DEC06	 TE Connectivity	
DIMENSIONS: mm 		CHK G. Stegmayer 24MAY07		
TOLERANCES UNLESS OTHERWISE SPECIFIED: 0 PLC ± - 1 PLC ± - 2 PLC ± - 3 PLC ± - 4 PLC ± - ANGLES ± -		APVD G. Stegmayer 24MAY07	NAME	
MATERIAL		PRODUCT SPEC	EXTRACTION TOOL KIT Entriegelungswerkzeugkoffer	
FINISH		APPLICATION SPEC	SIZE A3	RESTRICTED TO
		WEIGHT	CAGE CODE 00779	DRAWING NO G=4-1579010-0
		CUSTOMER DRAWING		SCALE 1:1
				SHEET 1 OF 3
				REV B2

POS	QTY	TE/PN	REV	DESCRIPTION	S=Spare Parts W=Wear Parts	S	W
1	1	0-0539960-1	A	EXTRACTION TOOL ENTRIEGELUNGSWERKZEUG		☑	☑
2	1	1-1579007-6	A	EXTRACTION TOOL ENTRIEGELUNGSWERKZEUG		☑	☑
3	1	4-1579008-5	B	EXTRACTION TOOL ENTRIEGELUNGSWERKZEUG		☑	☑
4	1	4-1579008-2	A	EXTRACTION TOOL ENTRIEGELUNGSWERKZEUG		☑	☑
5	1	2-1579007-0	A	EXTRACTION TOOL ENTRIEGELUNGSWERKZEUG		☑	☑
6	1	4-1579008-6	B	EXTRACTION TOOL ENTRIEGELUNGSWERKZEUG		☑	☑
7	1	4-1579008-3	A	EXTRACTION TOOL ENTRIEGELUNGSWERKZEUG		☑	☑
8	1	3-1579007-1	A	EXTRACTION TOOL ENTRIEGELUNGSWERKZEUG		☑	☑
9	1	4-1579008-7	A	EXTRACTION TOOL ENTRIEGELUNGSWERKZEUG		☑	☑
10	1	4-1579008-8	A	EXTRACTION TOOL ENTRIEGELUNGSWERKZEUG		☑	☑
11	1	2-1579007-9	A	EXTRACTION TOOL ENTRIEGELUNGSWERKZEUG		☑	☑
12	1	4-1579008-9	A	EXTRACTION TOOL ENTRIEGELUNGSWERKZEUG		☑	☑
13	1	5-1579008-0	A	EXTRACTION TOOL ENTRIEGELUNGSWERKZEUG		☑	☑
14	1	1-1579008-2	B	EXTRACTION TOOL ENTRIEGELUNGSWERKZEUG		☑	☑
15	1	1-1579008-8	A	EXTRACTION TOOL ENTRIEGELUNGSWERKZEUG		☑	☑
16	1	4-1579008-4	A	EXTRACTION TOOL ENTRIEGELUNGSWERKZEUG		☑	☑
17	1	2-1579008-2	A	EXTRACTION TOOL ENTRIEGELUNGSWERKZEUG		☑	☑
18	1	3-1579008-0	A	EXTRACTION TOOL ENTRIEGELUNGSWERKZEUG		☑	☑
19	1	2-1579008-7	A	EXTRACTION TOOL ENTRIEGELUNGSWERKZEUG		☑	☑
20	1	2-1579008-9	A	EXTRACTION TOOL ENTRIEGELUNGSWERKZEUG		☑	☑
21	1	2-1579008-1	A	EXTRACTION TOOL ENTRIEGELUNGSWERKZEUG		☑	☑
22	1	2-1579008-8	A	EXTRACTION TOOL ENTRIEGELUNGSWERKZEUG		☑	☑
23	1	2-1579008-3	A	EXTRACTION TOOL ENTRIEGELUNGSWERKZEUG		☑	☑
24	1	2-1579008-4	A	EXTRACTION TOOL ENTRIEGELUNGSWERKZEUG		☑	☑
25	1	1-1579007-0	A	EXTRACTION TOOL ENTRIEGELUNGSWERKZEUG		☑	☑
27	1	1-1579006-6	A	CASE W.FOAM KOFFERMIT SCHAUMEINL.		☑	☐

<b>REMARKS:</b> Extraction Tool Kit, Renault The item numbers correspond to the tool numbers on both sides of the handle!										<b>USED ON</b>					
P	LTR	REVISION RECORD				DATE	DWN	APVD	PRINTED	DWN	18DEC06	CHK	18DEC06	APVD	18DEC06
-	A	SEE SHEET 1				-	-	-	15FEB16	G.STEGMAYER		G.STEGMAYER		G.STEGMAYER	
-	B	SEE SHEET 1				-	-	-	<b>WEIGHT</b>	<b>DIMENSION (mm)</b>		<b>MATERIAL</b>		<b>HT TR</b>	
-	B1	SEE SHEET 1				-	-	-	-	-		-		-	
-	B2	SEE SHEET 1				-	-	-	 TOLERANCES UNLESS OTHERWISE SPECIFIED SEE SHEET 1		 <b>TE Connectivity</b> <b>SPARE AND WEAR PARTS LIST</b>				
THIS DRAWING IS A CONTROLLED DOCUMENT FOR TYCO ELECTRONICS CORPORATION. IT IS SUBJECT TO CHANGE AND THE CONTROLLING ENGINEERING ORGANIZATION SHOULD BE CONTACTED FOR THE LATEST REVISION.  DIESES ZEICHNUNGSDOKUMENT WIRD DURCH TYCO ELECTRONICS CORPORATION KONTROLLIERT. ÄNDERUNGEN DIE DEM TECHNISCHEN FORTSCHRITT DIENEN, SIND VORBEHALTEN. DEN JEWEILS LETZTGÜLTIGEN ÄNDERUNGSSTAND ERFAHREN SIE AUF ANFRAGE										<b>NAME</b> EXTRACTION TOOL KIT			<b>RESTRICTED TO</b> -		
<b>SCALE</b> SEE SHEET 1			<b>SIZE</b> A4		<b>DRAWING NO</b> C-4-1579010-0			<b>SHEET</b> 2/3		<b>REV</b> B2					

