

Link module Electrical and mechanical for 3RV2011 and 3RT201. Spring-type terminal (multi-unit packaging)



General technical data		
product brand name		SIRIUS
product designation		link module
design of the product		actuating voltage contactor: AC and DC
size of the circuit-breaker		S00
size of contactor		S00
Installation/ mounting/ dimensions		
fastening method		clip-on
Certificates/ approvals		
General Product Approval		Declaration of Conformity



[Confirmation](#)



Test Certificates	Marine / Shipping
-------------------	-------------------

[Type Test Certificates/Test Report](#)

[Special Test Certificate](#)



Marine / Shipping	other	Railway
-------------------	-------	---------



[Confirmation](#)

[Vibration and Shock](#)

Further information

Information- and Downloadcenter (Catalogs, Brochures,...)

<https://www.siemens.com/ic10>

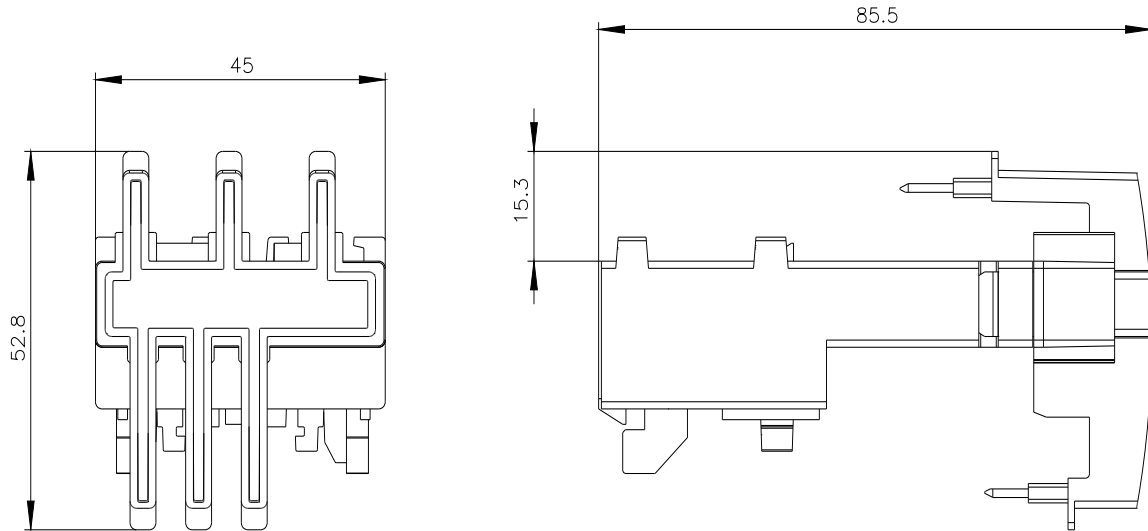
Industry Mall (Online ordering system)

<https://mall.industry.siemens.com/mall/en/en/Catalog/product?mfb=3RA2911-2A>

Cax online generator

<http://support.automation.siemens.com/WW/CAXorder/default.aspx?lang=en&mfb=3RA2911-2A>

Service&Support (Manuals, Certificates, Characteristics, FAQs,...)



last modified:

1/7/2021 