

THIS DRAWING IS UNPUBLISHED.

RELEASED FOR PUBLICATION

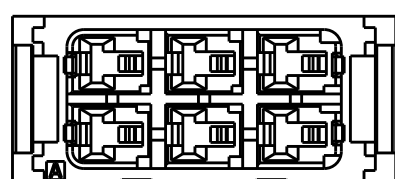
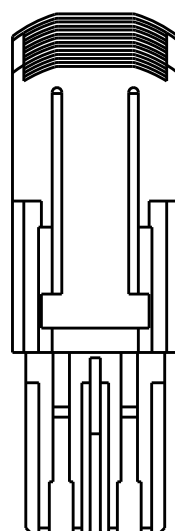
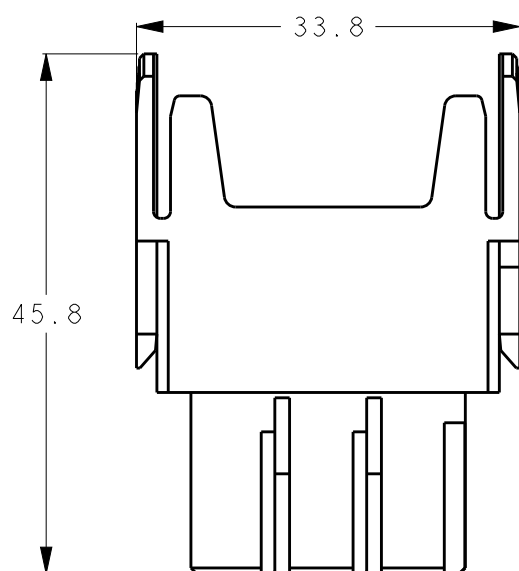
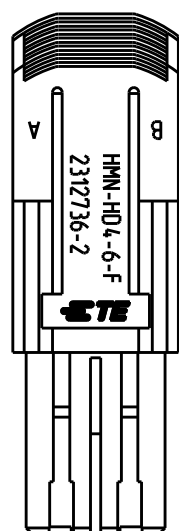
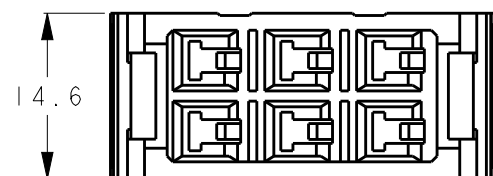
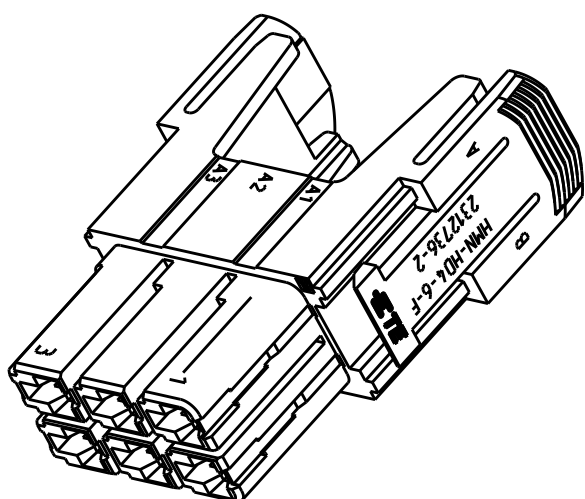
20

© COPYRIGHT 20 BY -

ALL RIGHTS RESERVED.

REVISIONS

P	LTR	DESCRIPTION	DATE	DWN	APVD
	A	RELEASED	13DEC2017	RI	EI



1. TECHNICAL CHARACTERISTICS :  
 INSULATION MATERIAL : PBT  
 RATED VOLTAGE : 500V  
 RATED CURRENT : 16A  
 INSULATION RESISTANCE :  $\geq 100M\Omega$   
 RATED IMPULSE VOLTAGE : 6KV  
 POLLUTION DEGREE : 3  
 FLAMMABILITY : UL94V-0  
 MATING CYCLES : 100 CYCLES  
 OPERATION TEMPERATURE :  $-40^{\circ}C \sim +125^{\circ}C$   
 WIRE RANGE : 0.34SQmm~3.62SQmm  
 CONTACT TYPE : CRIMP CONTACT
2. CONTACT NEED TO BE ORDERED SEPARATELY.  
 (ORDER No. REFER TO DRAWING : SEE TABLE 1)
3. FRAMES NEED TO BE ORDERED SEPARATELY.  
 (ORDER No. REFER TO DRAWING : SEE TABLE 2)

TABLE 1

INSULATION RANGE	WIRE RANGE	SIZE	REEL	L/P	DESCRIPTION
2.9-4.2	AWG14-12, 2.08-3.62SQmm	L	1747415-2	1747498-2	D4 RECEPTACLE CONTACT
2.0-3.75	AWG16-14, 1.23-2.18SQmm	M	1747418-2	1747499-2	
1.8-3.23	AWG20-16, 0.50-1.42SQmm	S	2040015-2	2040587-1	
1.58-2.56	AWG22-20, 0.34-0.56SQmm	SS	2287721-2	2288020-1	
			PART NUMBER		

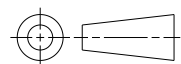
TABLE 2

H24B FEMALE FRAME FOR 6 MODULES	T2070244201-002
H16B FEMALE FRAME FOR 4 MODULES	T2070164201-002
H10B FEMALE FRAME FOR 3 MODULES	T2070104201-002
H6B FEMALE FRAME FOR 2 MODULES	T2070064201-002
H10A FEMALE FRAME FOR 1 MODULE	T2079104201-002
DESCRIPTION	PART NUMBER

2312736-2  
PART NUMBER

THIS DRAWING IS A CONTROLLED DOCUMENT.

DIMENSIONS:  
mm



TOLERANCES UNLESS OTHERWISE SPECIFIED:

- 0 PLC  $\pm 0.5$
- 1 PLC  $\pm 0.5$
- 2 PLC  $\pm 0.5$
- 3 PLC  $\pm 0.5$
- 4 PLC  $\pm 0.5$
- ANGLES  $\pm 5^{\circ}$

MATERIAL  
SEE NOTE

FINISH

DWN R. ITO 13DEC2017  
 CHK T. SHIMOYASU 13DEC2017  
 APVD F. IKEMATSU 13DEC2017  
 PRODUCT SPEC 108-140159  
 APPLICATION SPEC 114-78027  
 WEIGHT 10.7g

**STE** TE Connectivity

NAME: MODULE INSERT HMN-HD4-6-F  
HDC DYNAMIC

SIZE	CAGE CODE	DRAWING NO	RESTRICTED TO
A3	-	©-2312736	-

CUSTOMER DRAWING SCALE 3:2 SHEET 1 OF 1 REV A