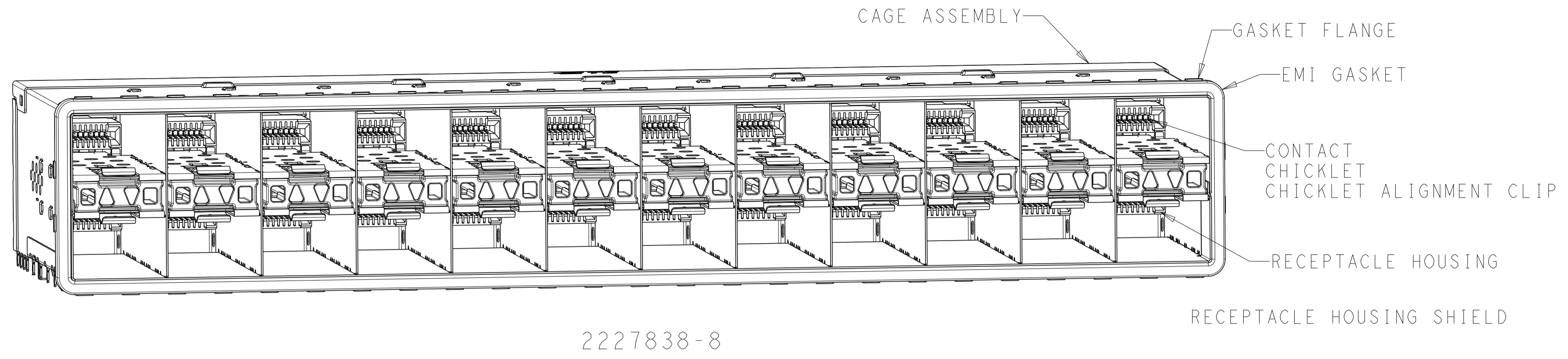
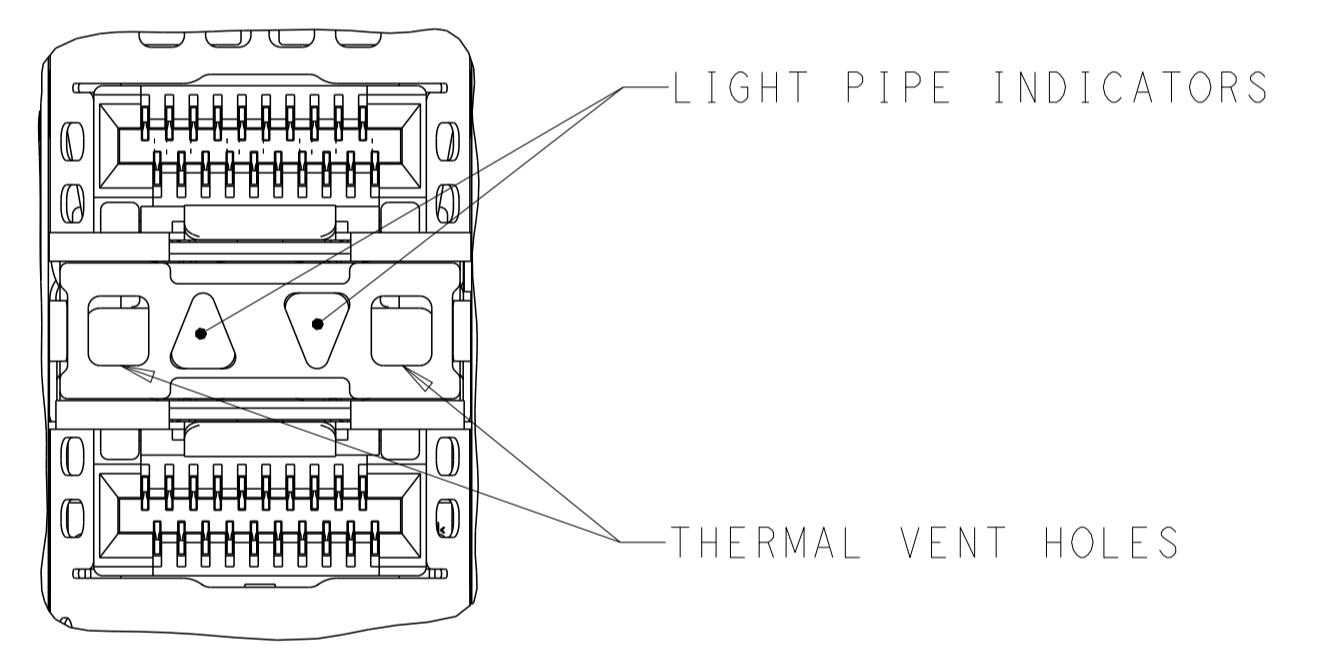
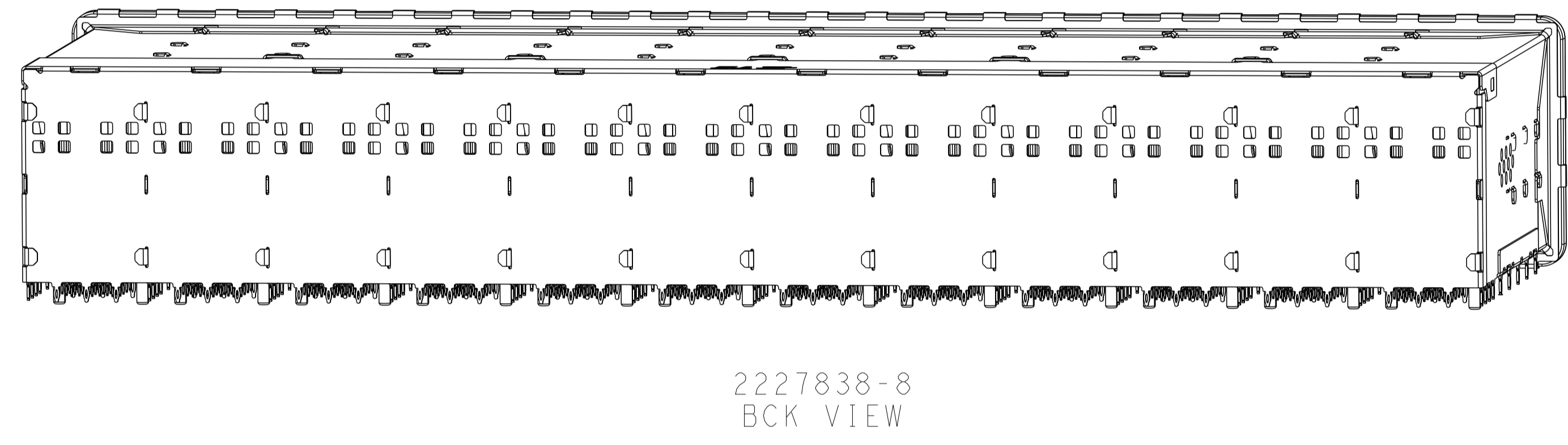


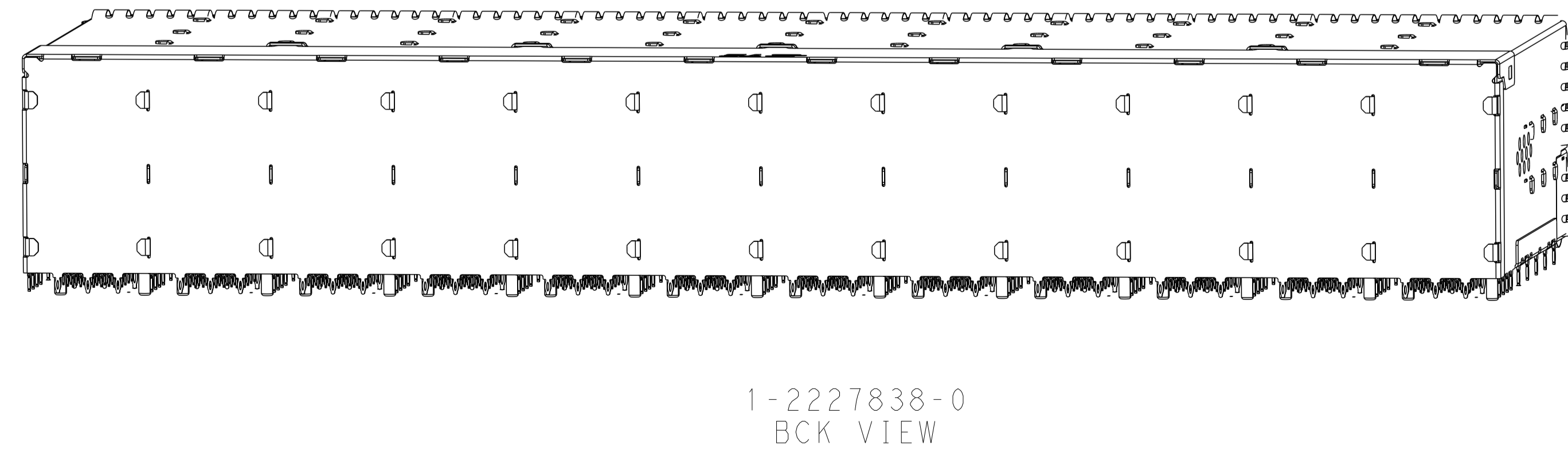
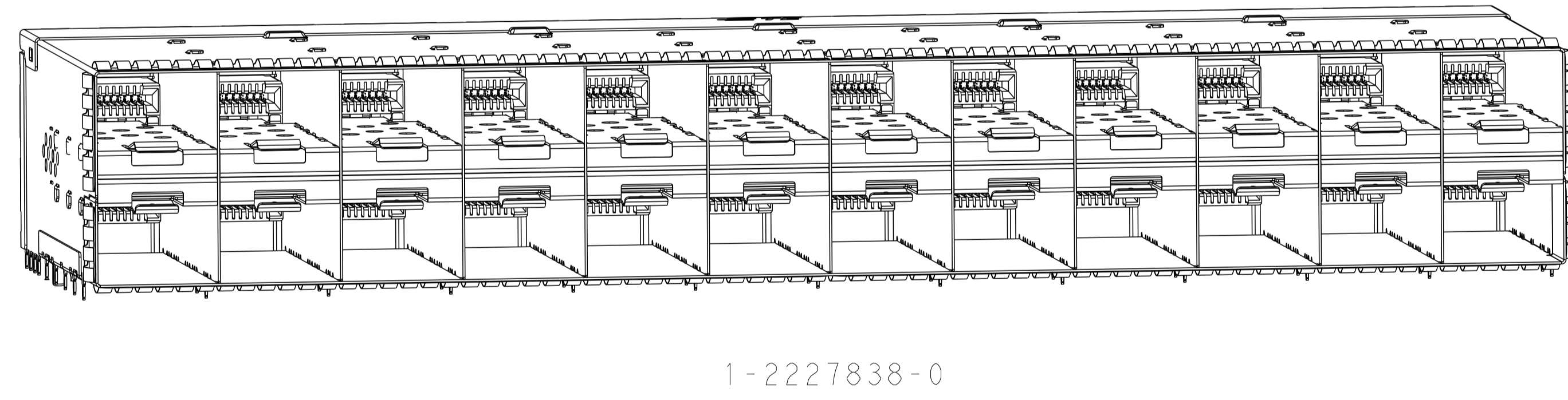
LOC		DIST		REVISIONS			
GP	00	P	LTN	DESCRIPTION	DATE	DMN	APVD
		A		MASS PRODUCTION	24OCT2014	PP	SH
		A1		REVISED PER ECO-20-015059	22OCT2020	JY	SH
		B1		REVISED PER ECN-22-166164	26JUL2022	IT	SZ



- MATERIALS:**  
 CAGE ASSEMBLY - NICKEL-SILVER ALLOY PER ASTM B 122  
 RECEPTACLE HOUSING - LCP, BLACK, UL 94V-0 RATED  
 RECEPTACLE HOUSING SHIELD - COPPER ALLOY  
 CHICKLET - LCP, BLACK, UL 94V-0 RATED  
 CHICKLET ALIGNMENT CLIP - PBT  
 CONTACT - COPPER ALLOY  
 EMI GASKET - ELASTOMERIC  
 GASKET FLANGE - STAINLESS STEEL  
 LIGHT PIPE - POLYCARBONATE  
 LIGHT PIPE HOUSING - ZINC ALLOY  
 EMI SPRINGS - PHOSPHOR BRONZE PER ASTM B103
- CONTACT FINISH:**  
 CONFORMS TO THE REQUIREMENTS OF TYCO ELECTRONICS  
 PRODUCT SPECIFICATION 108-2481, BASED ON EIA/ECA-364-1000.01A,  
 (CONTROLLED ENVIRONMENT APPLICATIONS) ON MATING INTERFACE,  
 TIN ON NEEDLE EYE
- PCB MINIMUM THICKNESS = 1.5mm**
- ⚠️ FOR HOLE SIZE AND PLATINGS,  
 SEE APPLICATION SPECIFICATION 114-13319
- ⚠️ LIGHT PIPE PAD LAYOUT IS FOR 0805 LOW PROFILE  
 LED PACKAGE WITH A HEIGHT OF 0.8mm
- ⚠️ THE ENTIRE AREA OF THE CONNECTOR FOOTPRINT, INDICATED BY THE  
 DASHED LINE, TO BE CONSIDERED THE KEEPOUT AREA FOR COMPONENTS  
 AND SIGNAL TRACES, TOP SIDE ONLY, TOP SIDE TRACES ALLOWED  
 WITHIN CONNECTOR HOLE PATTERN
- ⚠️ DIMENSION APPLIES FROM EMI SPRINGS ONLY.



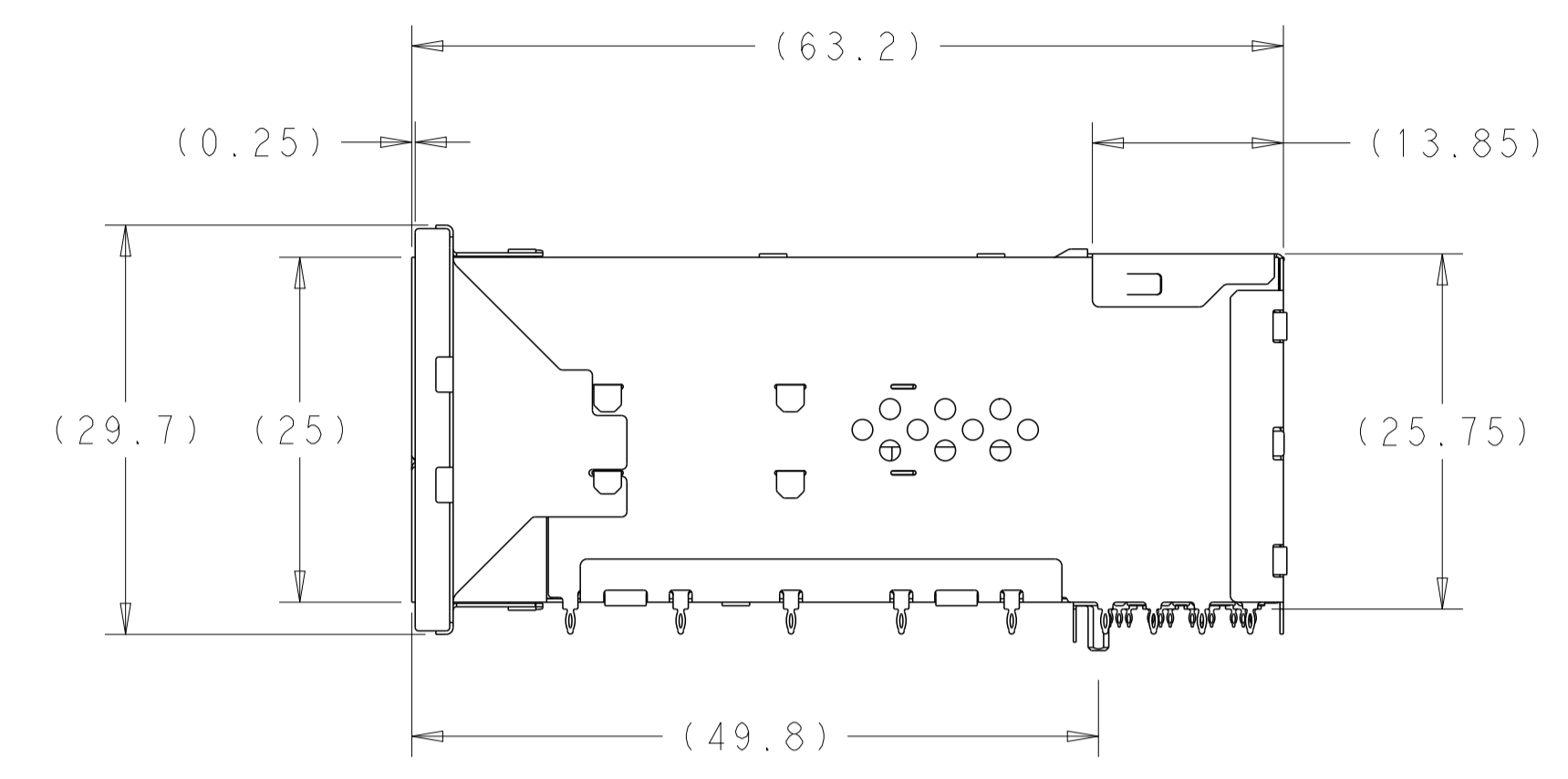
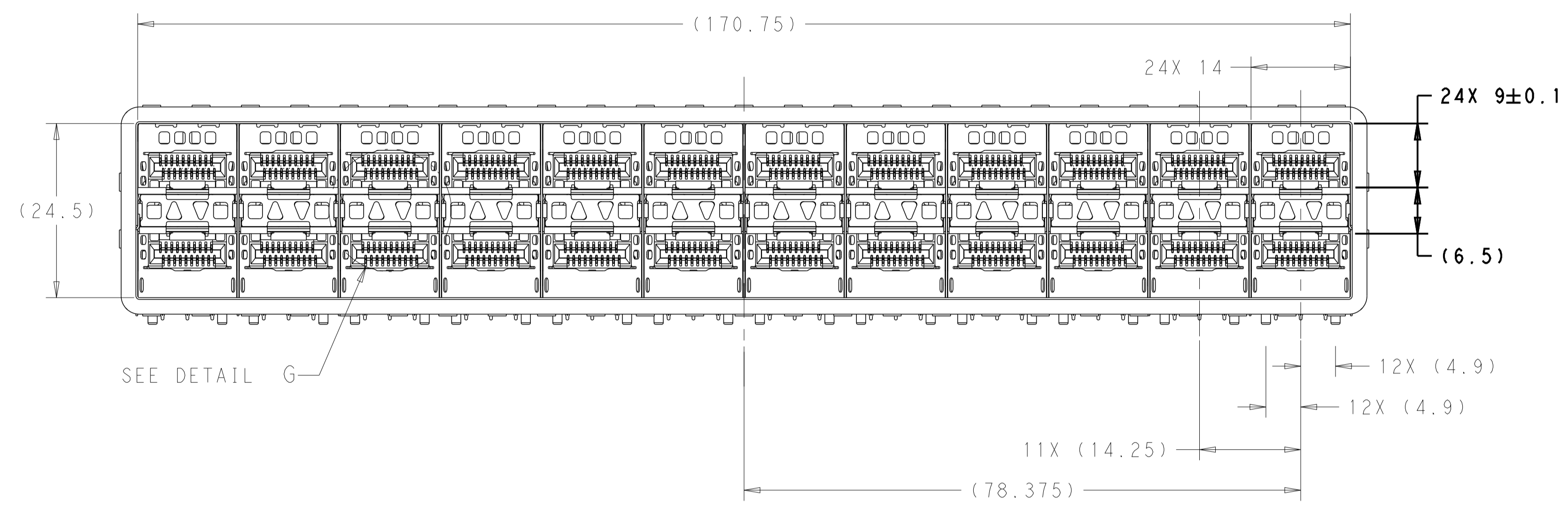
INNER LIGHT PIPE  
 2227838-8  
 SCALE 4:1



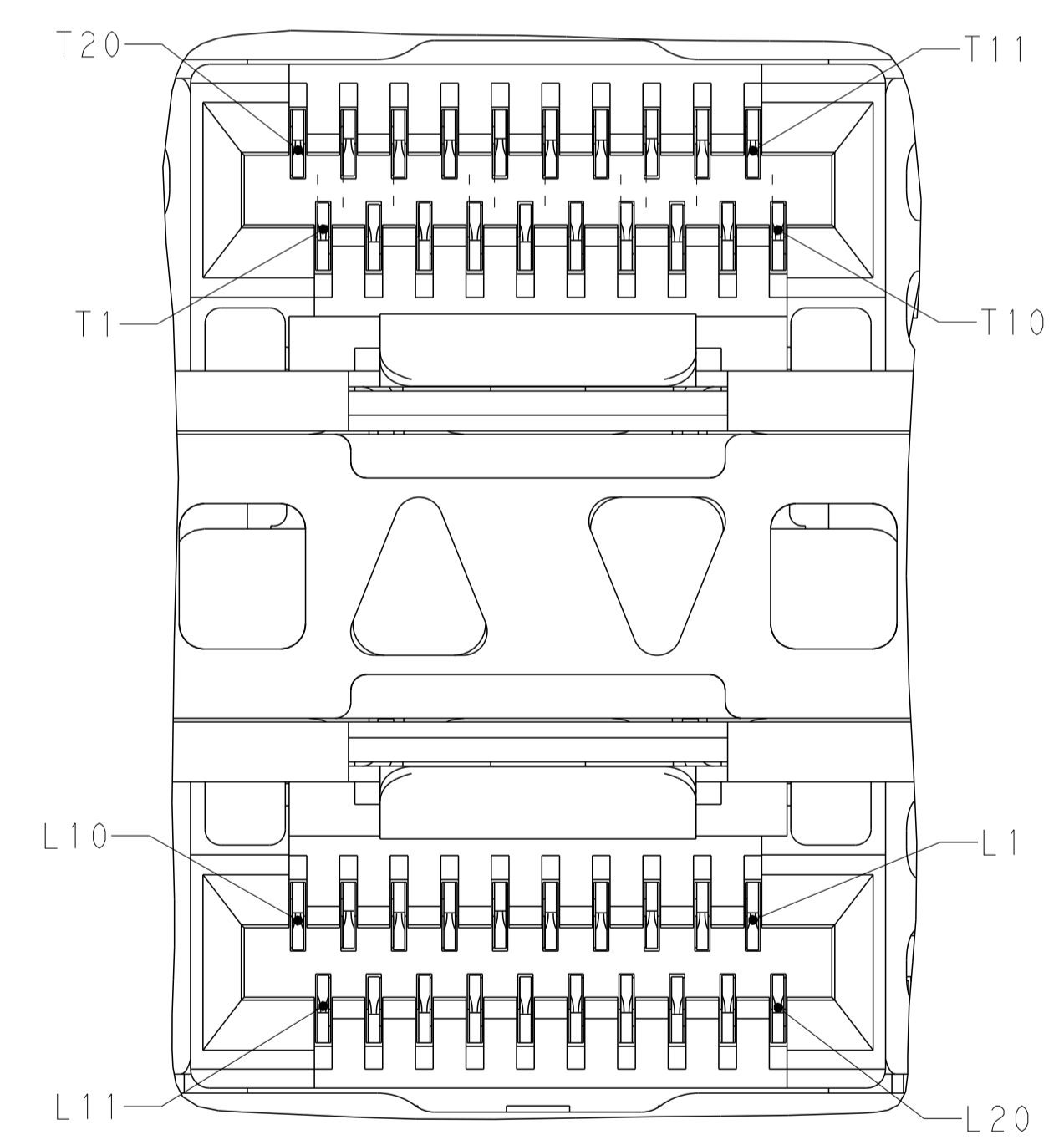
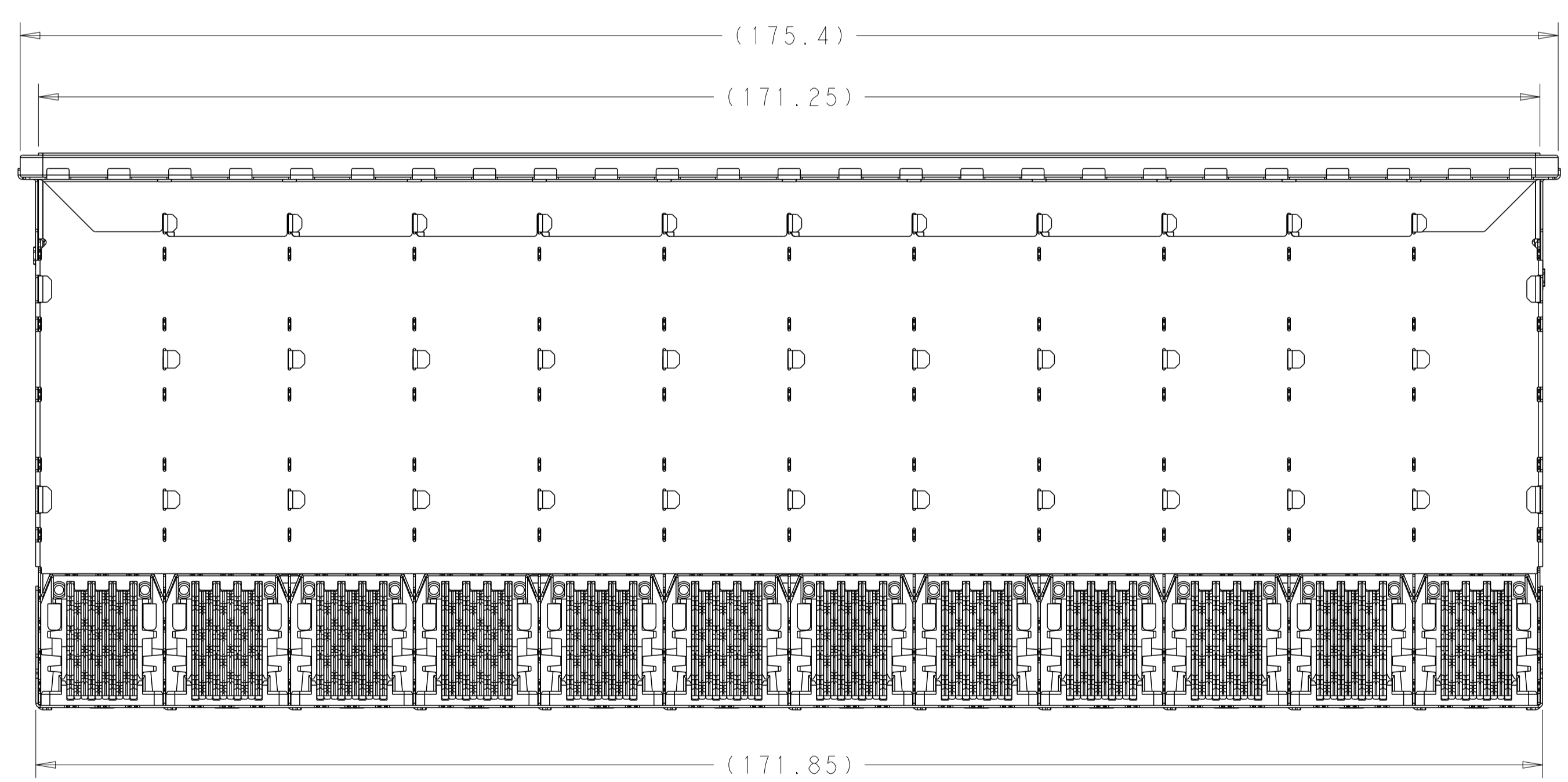
173.5	EMI SPRINGS	NONE	1-2227838-0
176.25	EMI GASKET	INNER	2227838-8
(E)	CAGE TYPE	LIGHT PIPE CONFIGURATION	PART NUMBER

THIS DRAWING IS A CONTROLLED DOCUMENT. DIMENSIONING AND TOLERANCING PER ASME Y14.5M-2009		DMN M. SHIRK 26MAR2013	TE Connectivity
DIMENSIONS: mm		CHK M. PHILLIPS 26MAR2013	
TOLERANCES UNLESS OTHERWISE SPECIFIED:		APVD	NAME
0 PLC	±0.10	PRODUCT SPEC	RECEPTACLE ASSEMBLY, 2X12, STACKED, zSFP+ THERMALLY ENHANCED
1 PLC	±0.10	APPLICATION SPEC	108-2481
2 PLC	±0.10	SIZE	A1
3 PLC	±0.10	CAGE CODE	00779
4 PLC	±0.10	DRAWING NO	C=2227838
ANGLES	±°	RESTRICTED TO	
FINISH	±"	WEIGHT	
SEE NOTES	SEE NOTES	CUSTOMER DRAWING	SCALE 2:1 SHEET 1 OF 5 REV B1

LOC		DIST		REVISIONS			
GP	00	P	LTN	DESCRIPTION	DATE	DMN	APVD
		-		SEE SHEET 1	-	-	-



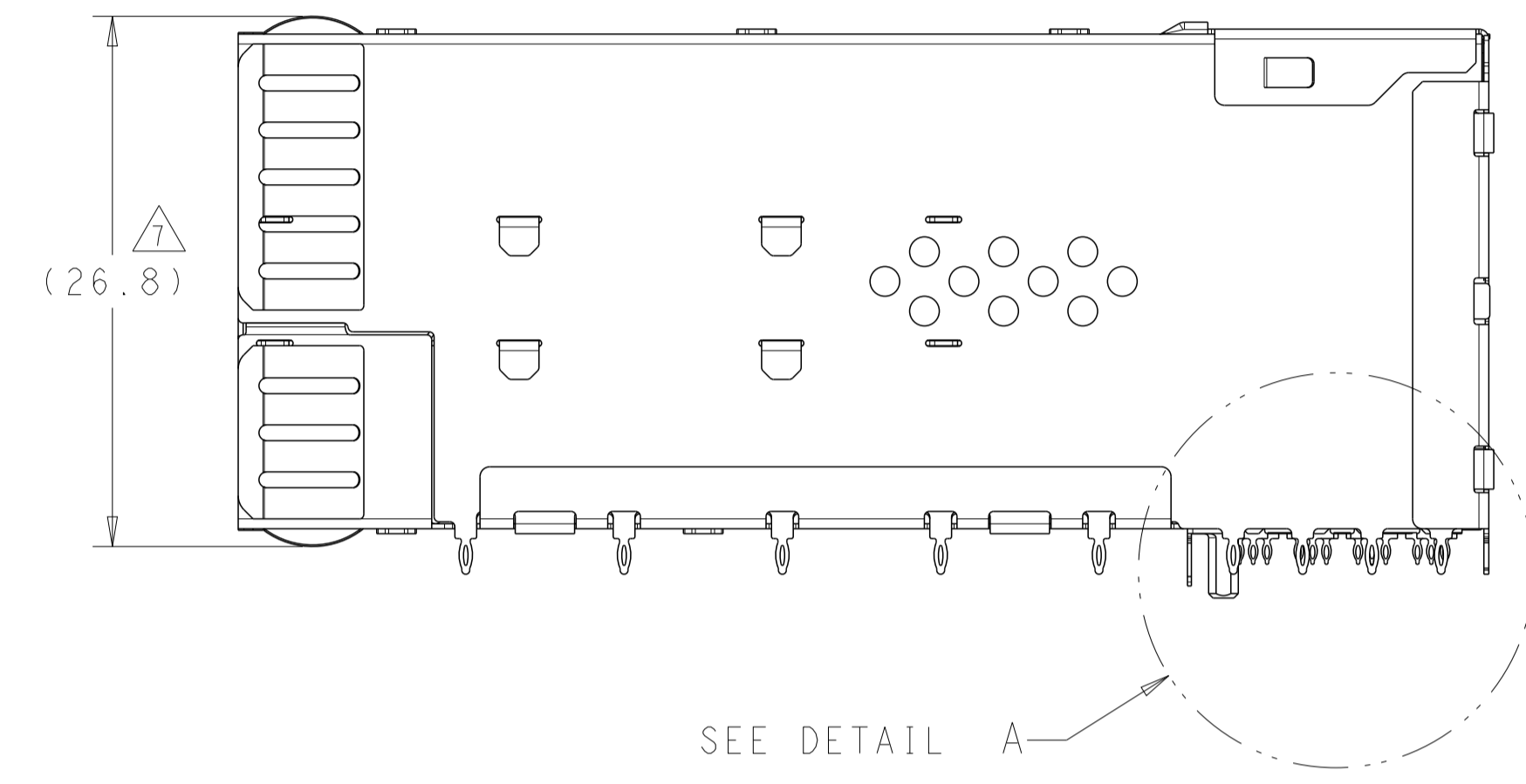
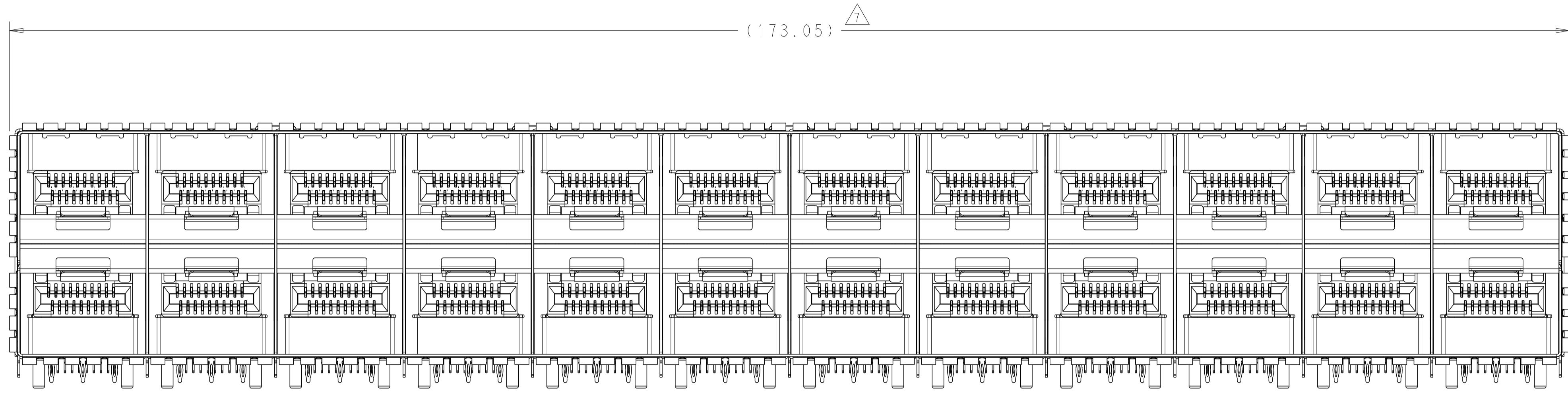
2227838-8  
 EMI GASKET ONLY  
 SCALE 3:1



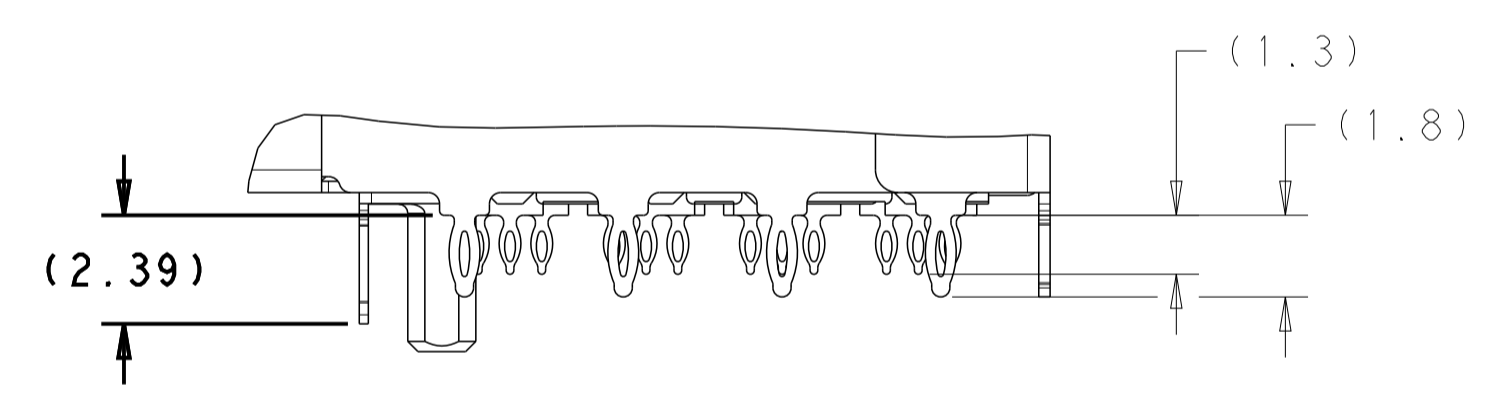
DETAIL G  
 12X INDIVIDUALLY  
 SCALE 10:1

THIS DRAWING IS A CONTROLLED DOCUMENT. DIMENSIONING AND TOLERANCING PER ASME Y14.5M-2009.		DMN M. SHIRK 26MAR2013	TE Connectivity
DIMENSIONS: mm		CHK M. PHILLIPS 26MAR2013	
TOLERANCES UNLESS OTHERWISE SPECIFIED:		APVD -	NAME
0 PLC ±0.10		PRODUCT SPEC	RECEPTACLE ASSEMBLY, 2X12, STACKED, zSFP+ THERMALLY ENHANCED
1 PLC ±0.10		APPLICATION SPEC	SIZE CAGE CODE DRAWING NO RESTRICTED TO
2 PLC ±0.10		108-2431	A100779C=2227838
3 PLC ±0.10		114-13319	SCALE 2:1 SHEET 2 OF 5 REV B1
4 PLC ±		WEIGHT	
ANGLES FINISH		CUSTOMER DRAWING	
MATERIAL SEE NOTES			

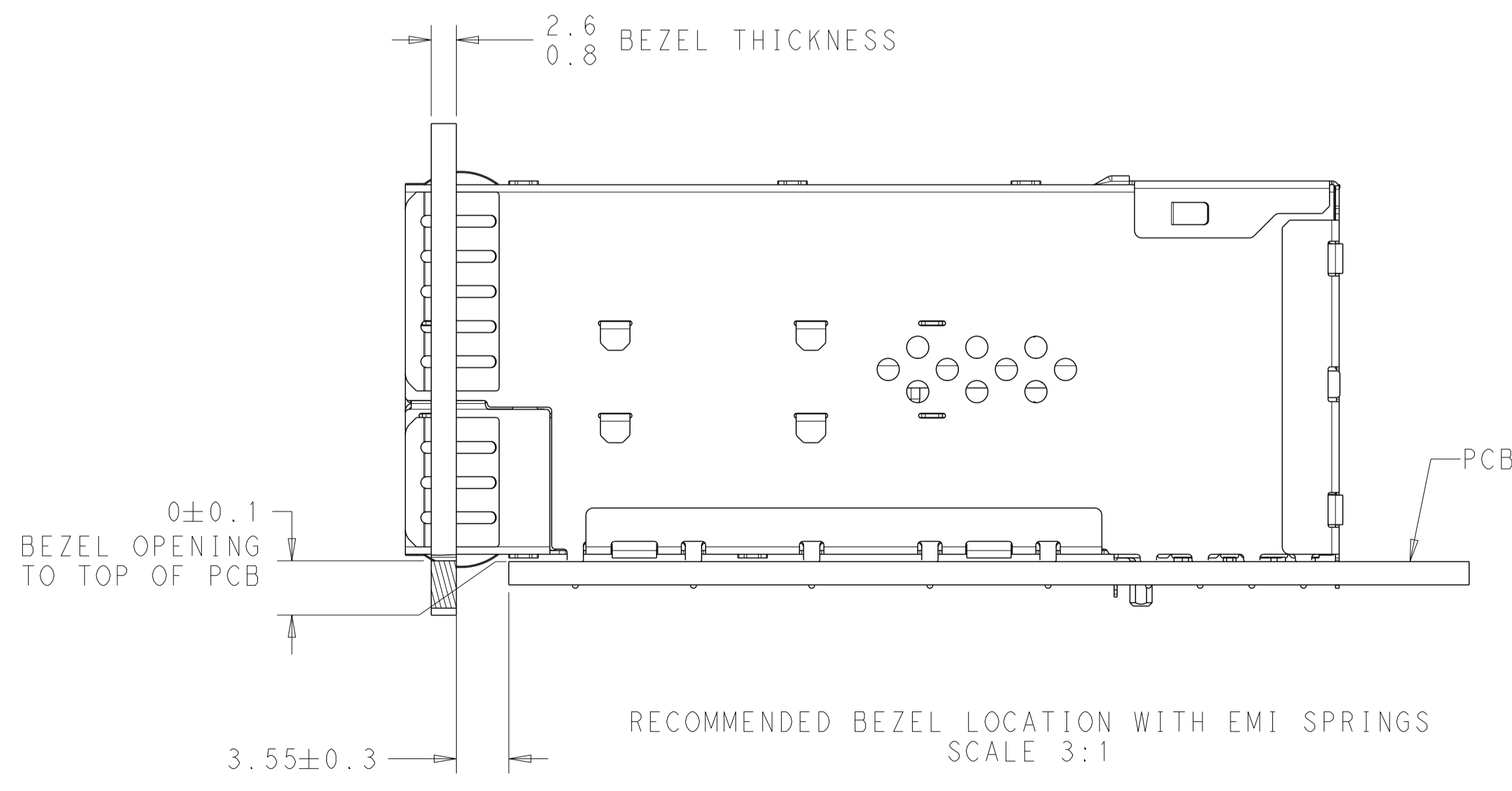
LOC	DIST	REVISIONS			
P	LYR	DESCRIPTION	DATE	DMN	APVD
-	-	SEE SHEET 1	-	-	-



1-2227838-0  
 EMI SPRINGS ONLY  
 SCALE 3:1

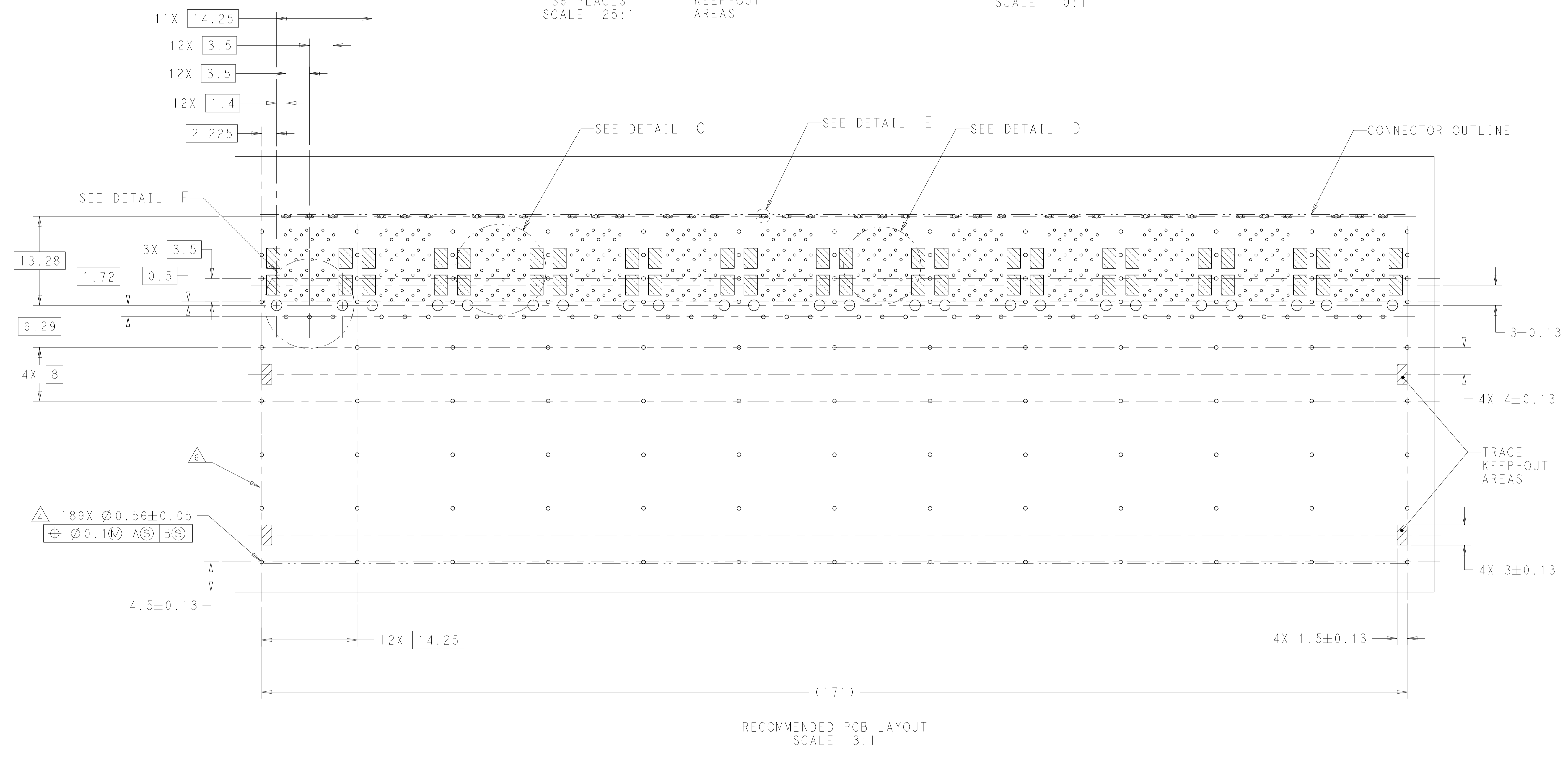
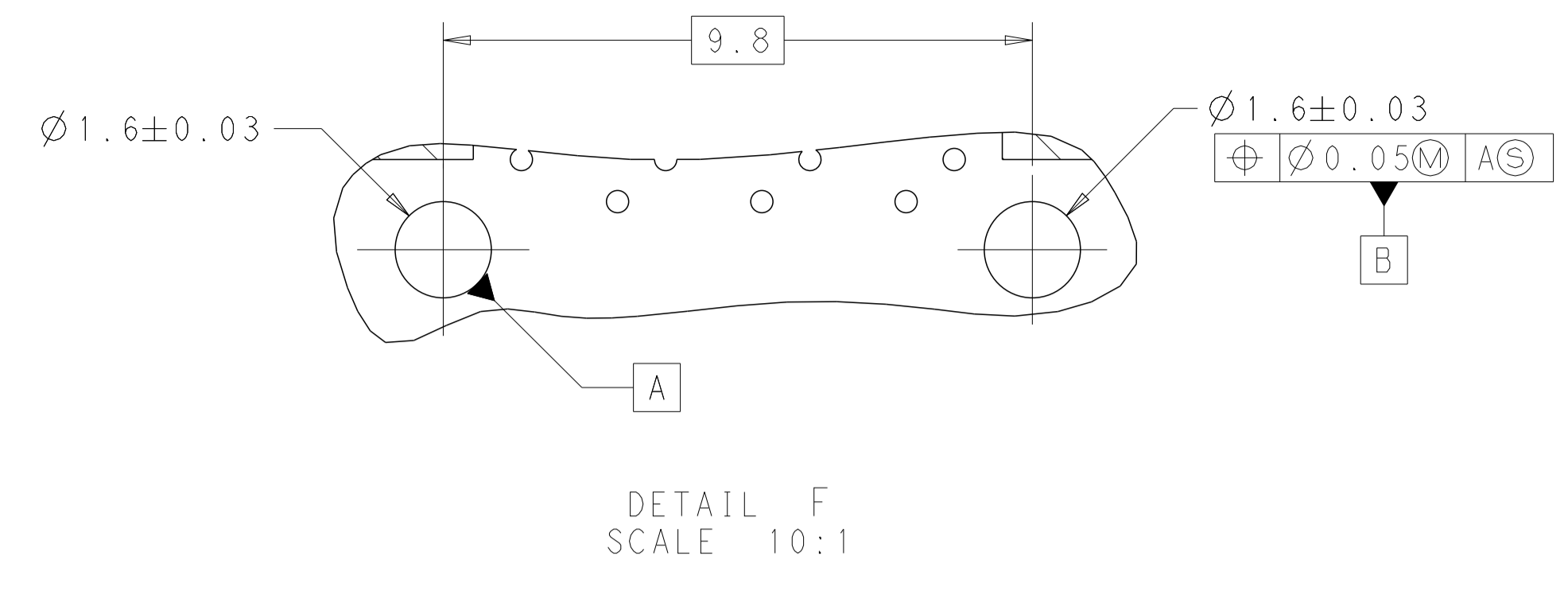
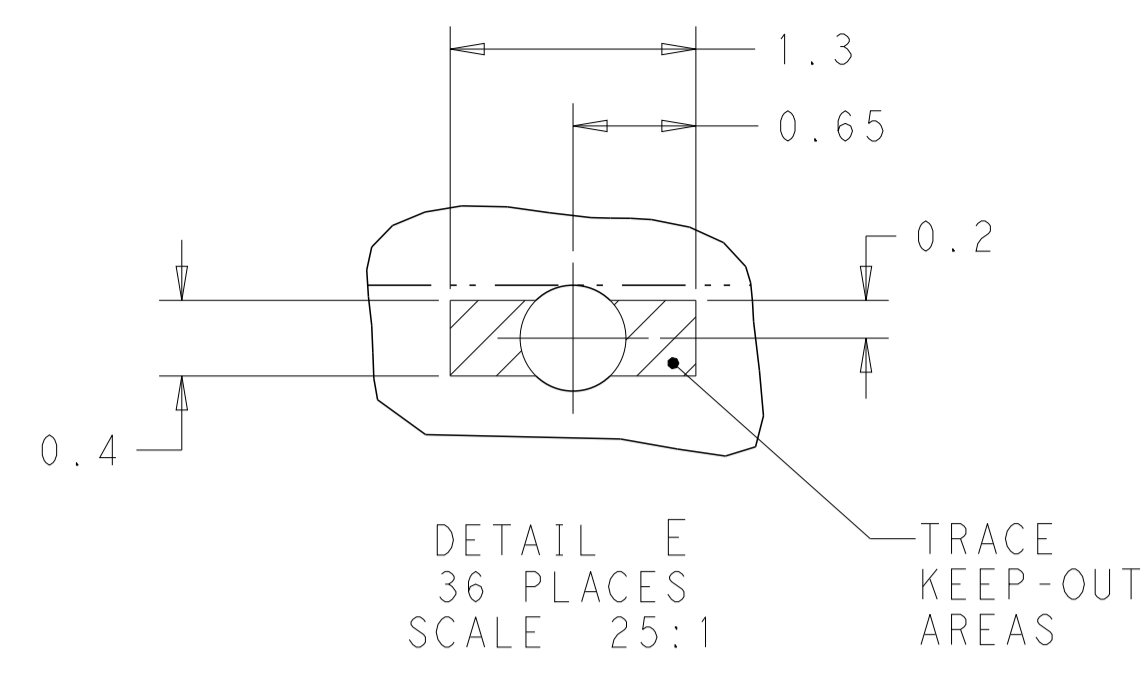


DETAIL A  
 SCALE 6:1



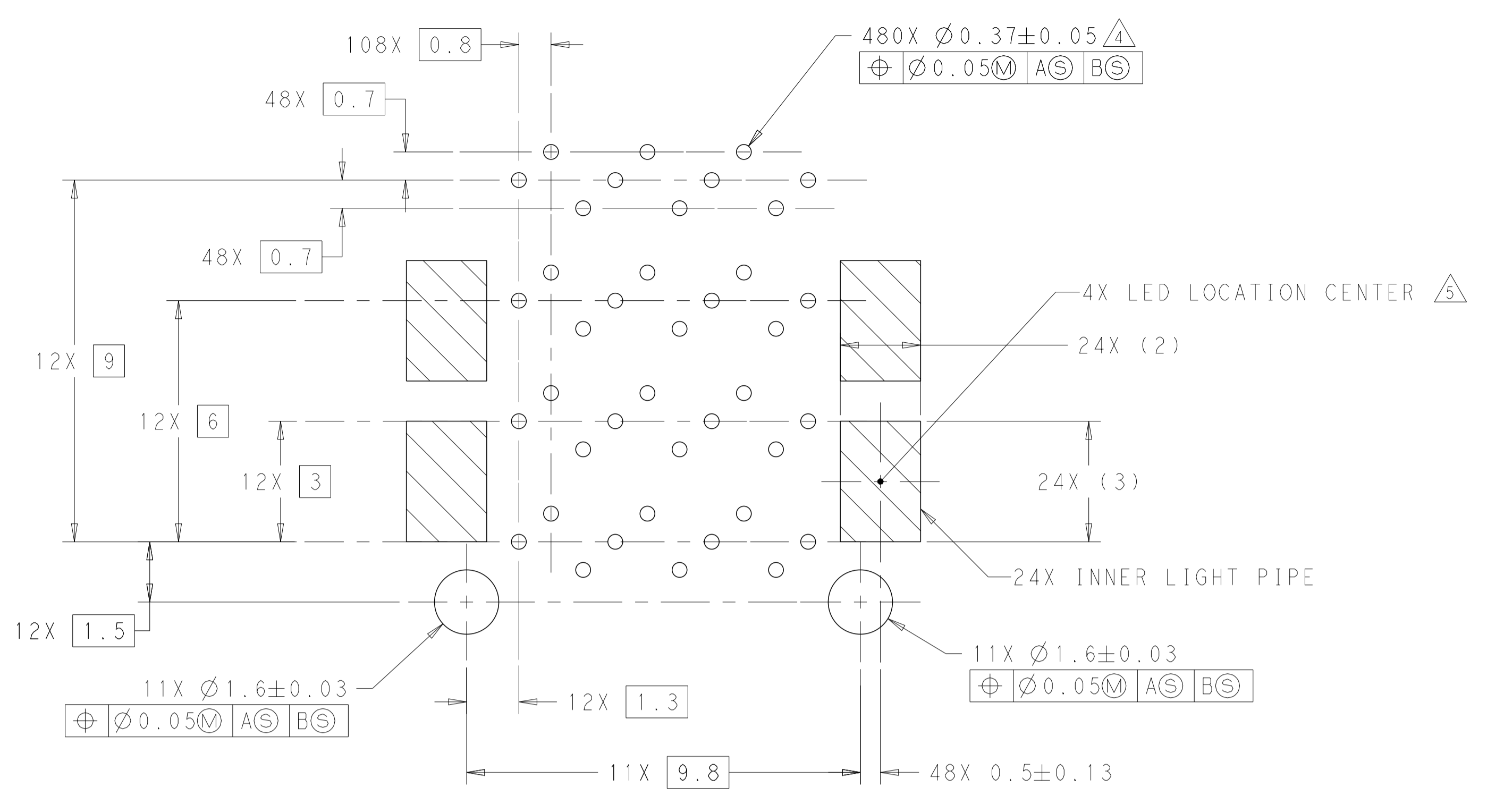
THIS DRAWING IS A CONTROLLED DOCUMENT.		DMN M_SHIRK 26MAR2013	TE Connectivity
DIMENSIONS: mm		CHK M_PHILLIPS 26MAR2013	
TOLERANCES UNLESS OTHERWISE SPECIFIED:		APVD -	NAME
0 PLC ±0.10	1 PLC ±0.10	PRODUCT SPEC	RECEPTACLE ASSEMBLY, 2X12,
2 PLC ±0.10	3 PLC ±0.10	APPLICATION SPEC	STACKED, zSFP+
4 PLC ±0.10	ANGLES ±°	FINISH	THERMALLY ENHANCED
MATERIAL		WEIGHT	SIZE CAGE CODE DRAWING NO
SEE NOTES		CUSTOMER DRAWING	A100779C=2227838
RESTRICTED TO		SCALE 2:1	SHEET 3 OF 5
REV B1			

LOC	DIST	REVISIONS					
GP	00	P	LYR	DESCRIPTION	DATE	OWN	APVD
		-	-	SEE SHEET 1	-	-	-

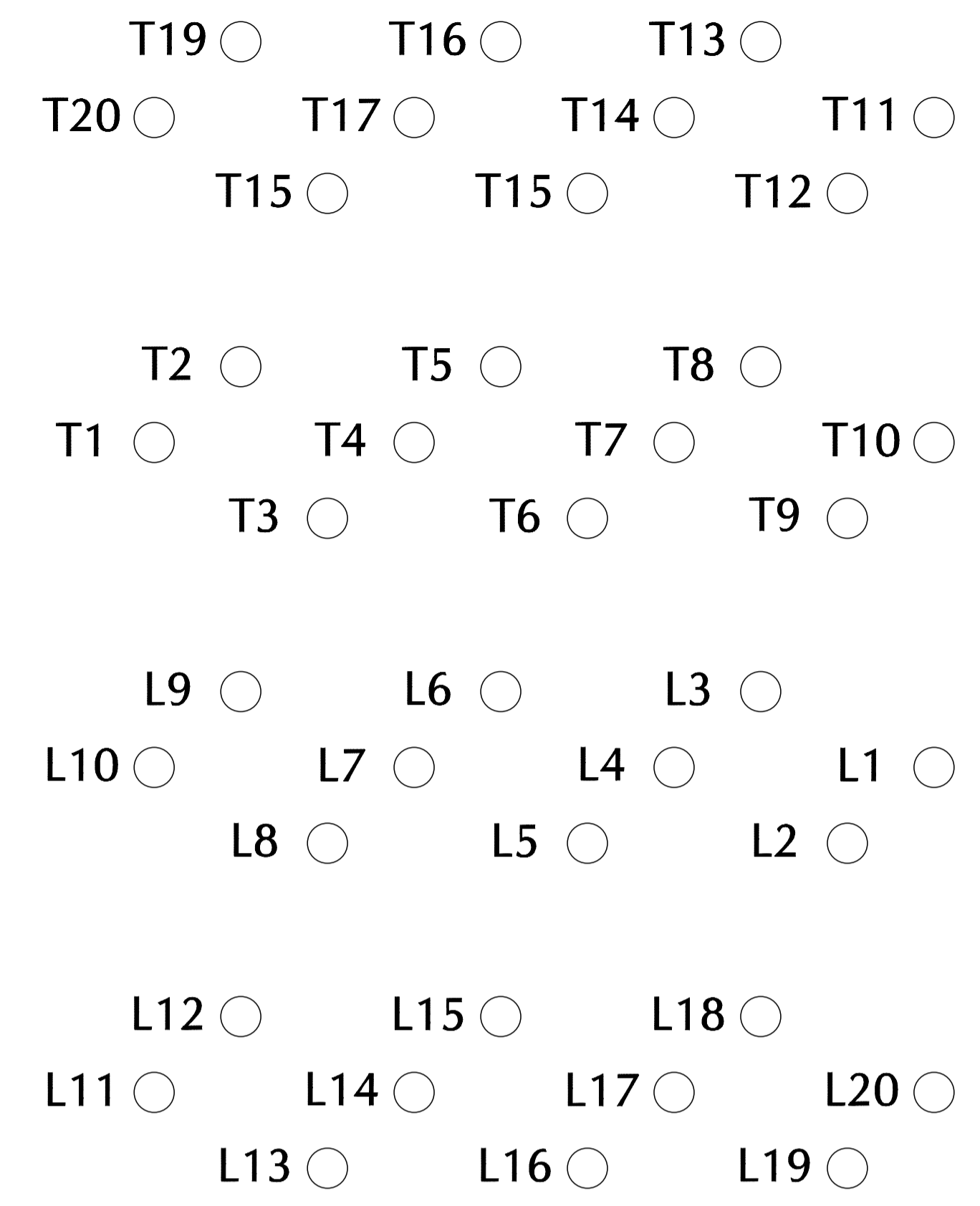


THIS DRAWING IS A CONTROLLED DOCUMENT. DIMENSIONING AND TOLERANCING PER ASME Y14.5M-2009.		OWN: M. SHIRK 26MAR2013 CHK: M. PHILLIPS 26MAR2013 APVD: -	NAME: RECEPTACLE ASSEMBLY, 2X12, STACKED, zSFP+ THERMALLY ENHANCED
DIMENSIONS: mm	TOLERANCES UNLESS OTHERWISE SPECIFIED: 0 PLC ±0.10 1 PLC ±0.10 2 PLC ±0.10 3 PLC ±0.10 4 PLC ±0.10 ANGLES ±°	PRODUCT SPEC: 108-2431 APPLICATION SPEC: 114-13319 WEIGHT: -	RESTRICTED TO: -
MATERIAL: SEE NOTES	FINISH: SEE NOTES	SIZE: A1 CAGE CODE: 00779 DRAWING NO: C=2227838	SCALE: 2:1 SHEET 4 OF 5 REV: B1
CUSTOMER DRAWING			

LOC	DIST	REVISIONS					
GP	00	P	LTN	DESCRIPTION	DATE	DWN	APVD
		-		SEE SHEET 1			

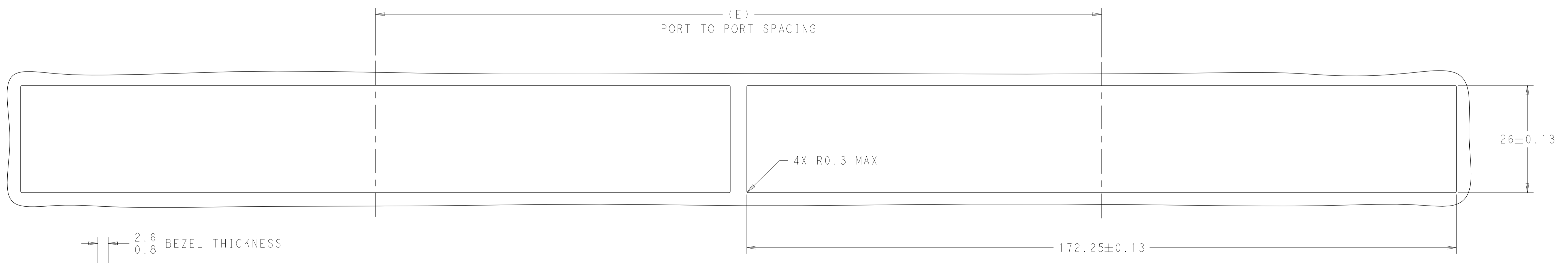


DETAIL C  
 RECOMMENDED PIN AND LIGHT PIPE LAYOUT  
 SCALE 10:1

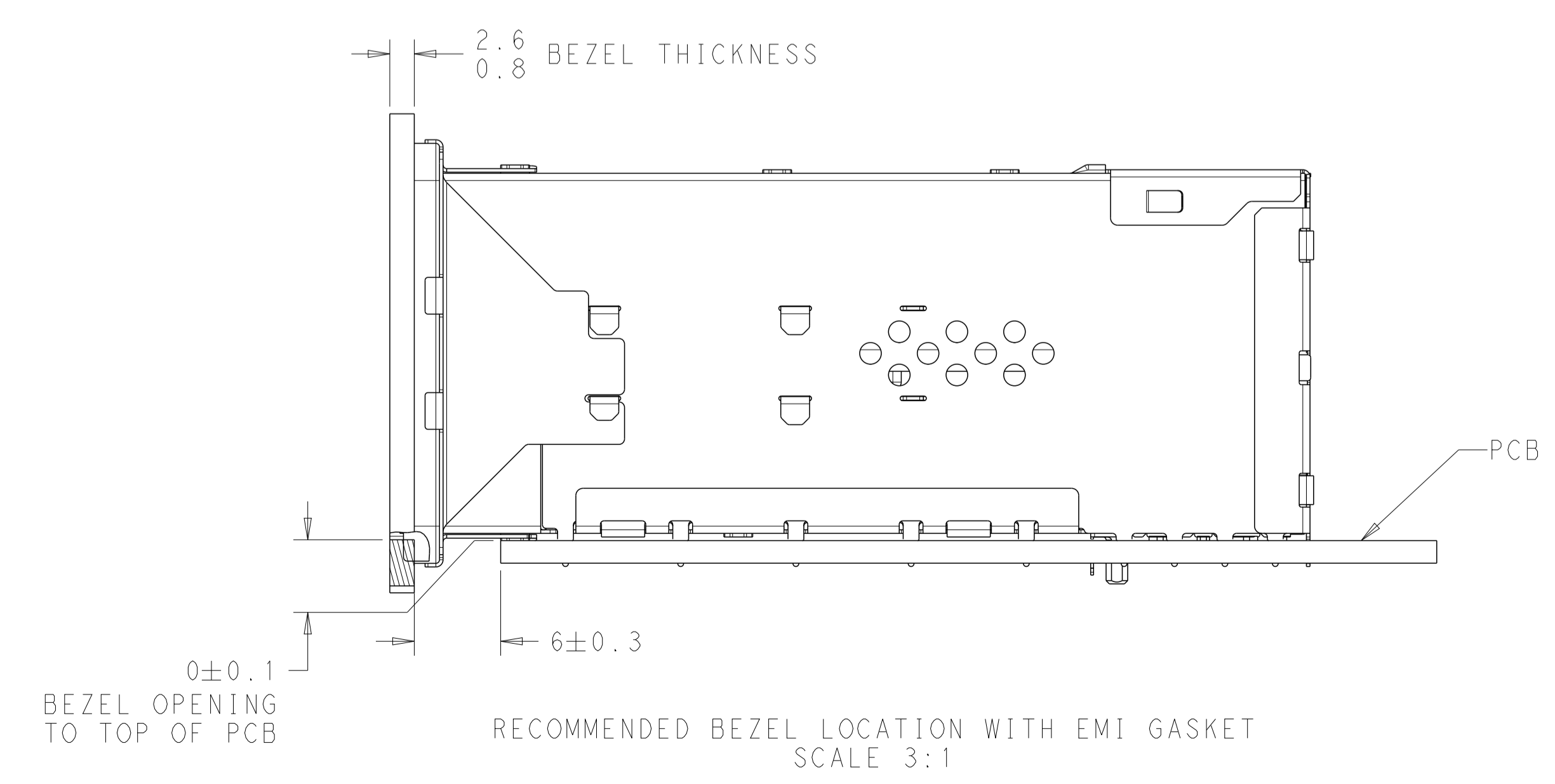


PIN MAP LEGEND	
PIN NUMBER	FUNCTION
L1/T1	VEET
L2/T2	TX-FAULT
L3/T3	TX-DISABLE
L4/T4	SDA
L5/T5	SCL
L6/T6	MOD_ABS
L7/T7	RS0
L8/T8	RX_LOS
L9/T9	RS1
L10/T10	VEER
L11/T11	VEER
L12/T12	RD-
L13/T13	RD+
L14/T14	VEER
L15/T15	VCCR
L16/T16	VCCT
L17/T17	VEET
L18/T18	TD+
L19/T19	TD-
L20/T20	VEET

DETAIL D  
 PIN MAP  
 12 PLACES  
 SCALE 20:1



RECOMMENDED BEZEL CUT OUT DETAIL



RECOMMENDED BEZEL LOCATION WITH EMI GASKET  
 SCALE 3:1

THIS DRAWING IS A CONTROLLED DOCUMENT. DIMENSIONING AND TOLERANCING PER ASME Y14.5M-2009		DWN: M. SHIRK 26MAR2013 CHK: M. PHILLIPS 26MAR2013	TE Connectivity RECEPTACLE ASSEMBLY, 2X12, STACKED, zSFP+ THERMALLY ENHANCED
DIMENSIONS: mm	TOLERANCES UNLESS OTHERWISE SPECIFIED:	APVD: -	
0 PLC ±0.10	1 PLC ±0.10	PRODUCT SPEC 108-2431	NAME
2 PLC ±0.10	3 PLC ±0.10	APPLICATION SPEC 114-13319	SIZE
4 PLC ±0.10	ANGLES ±°	WEIGHT	CAGE CODE DRAWING NO. A100779C=2227838
MATERIAL	FINISH	CUSTOMER DRAWING	RESTRICTED TO
SEE NOTES	SEE NOTES	SCALE 2:1	SHEET 5 OF 5 REV B1