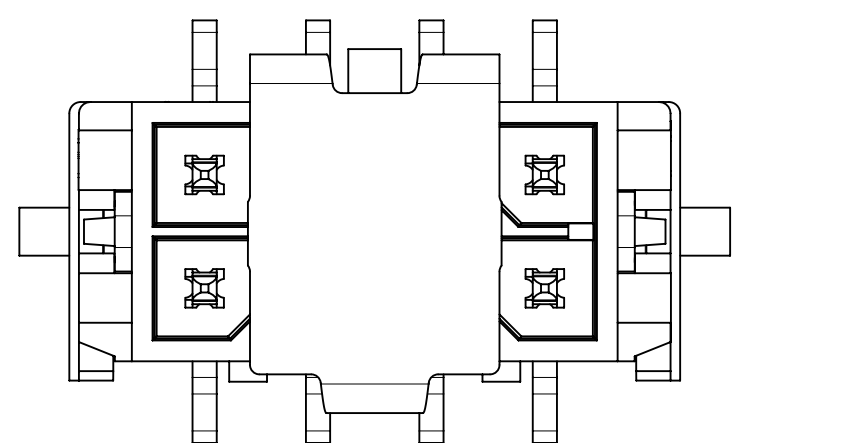
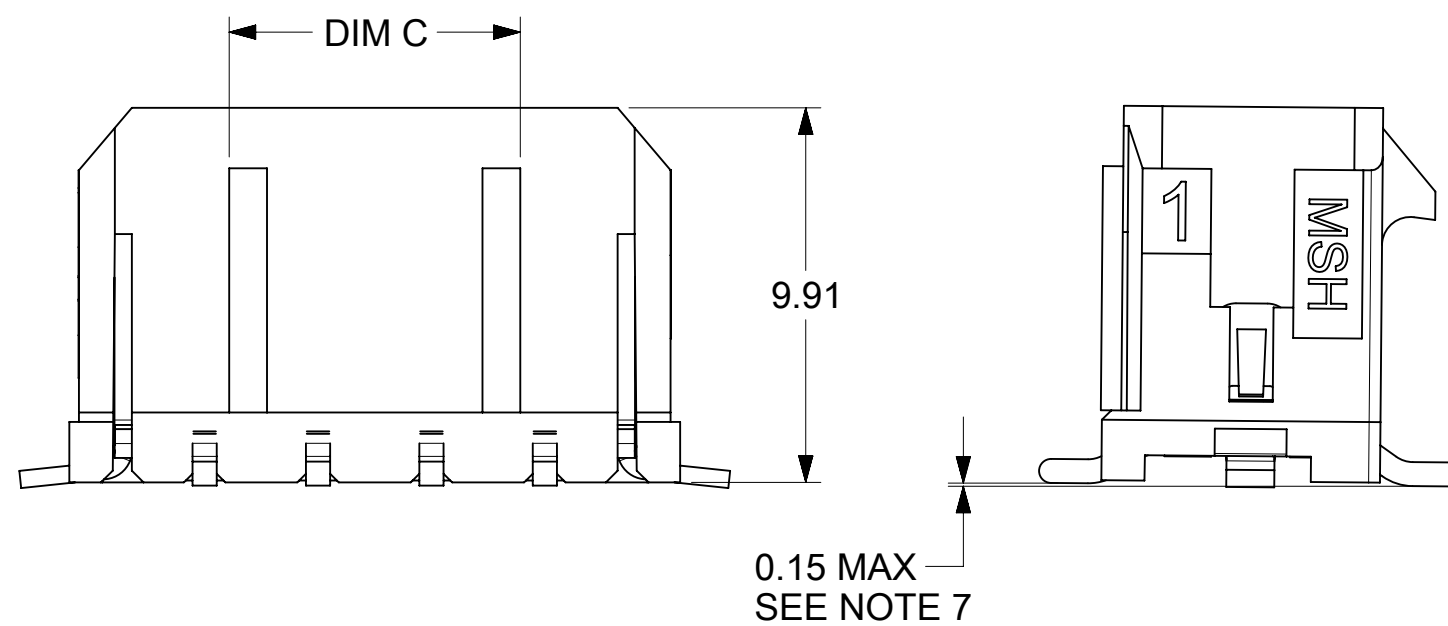
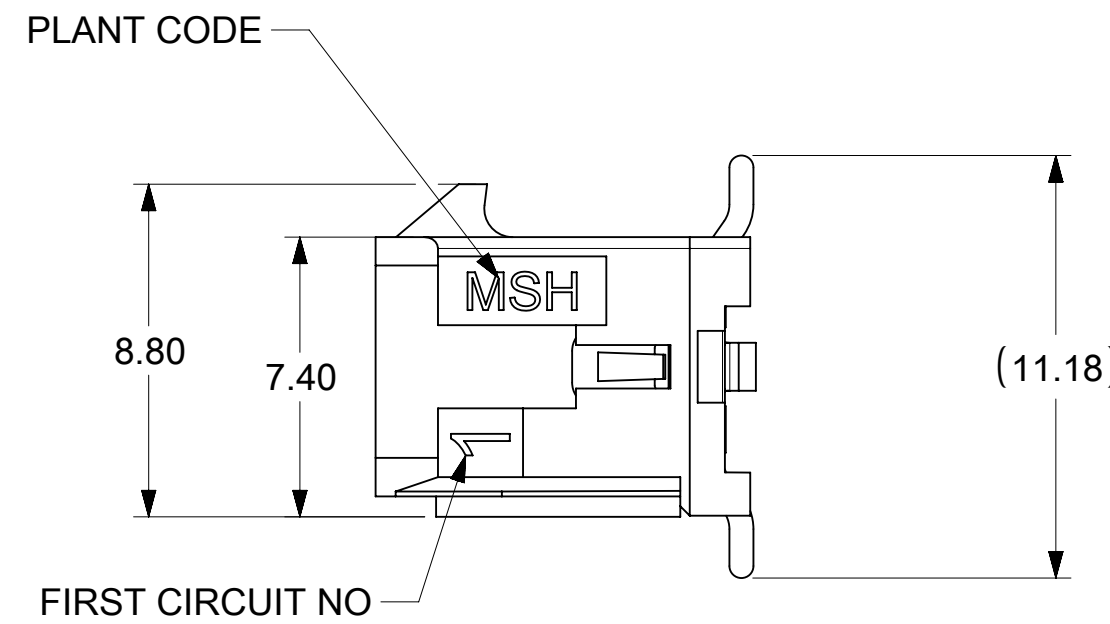
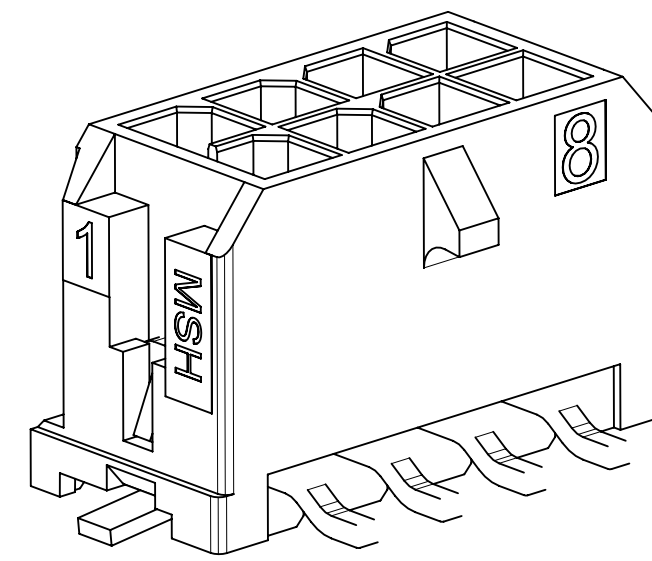
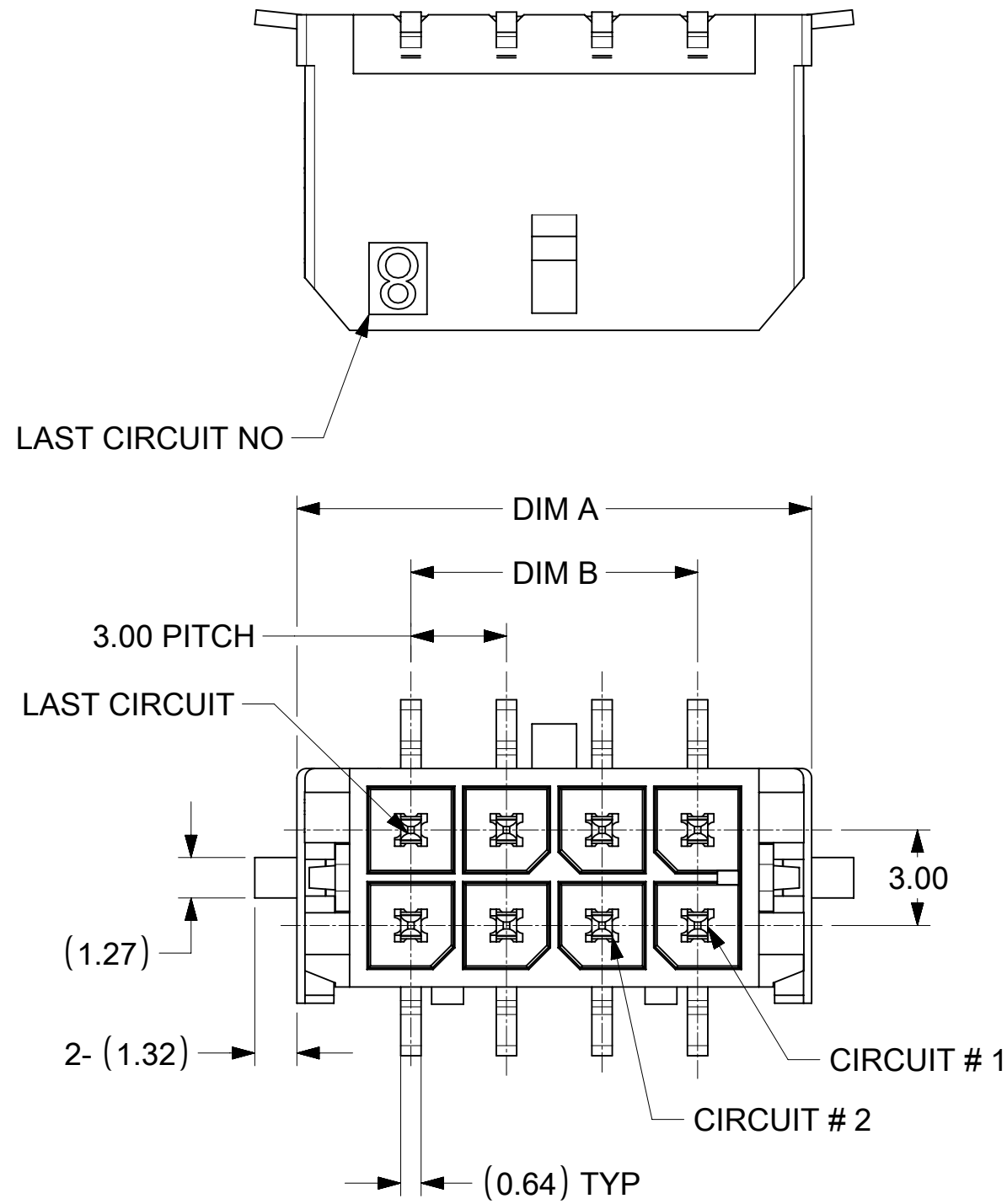
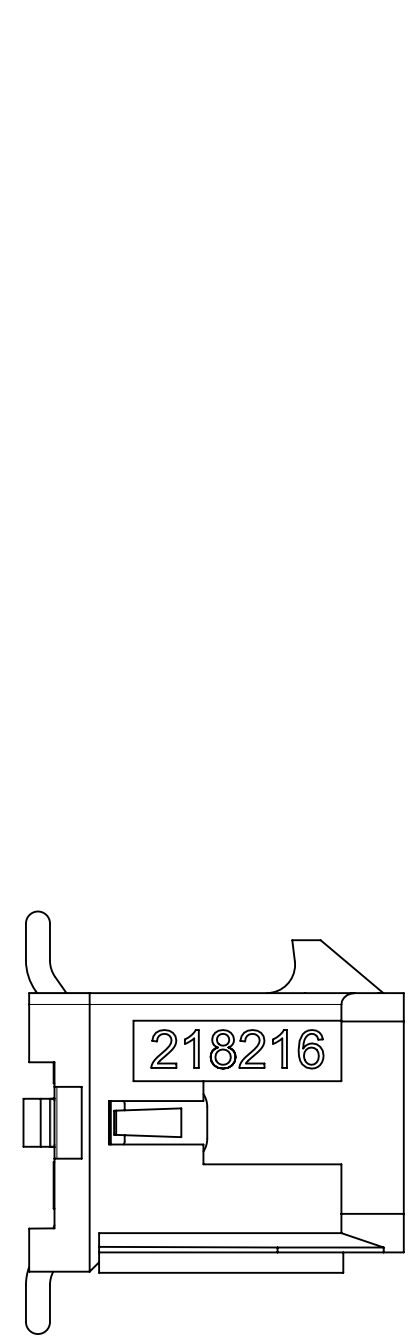


FINISH TYPE	"0" TIN	"1" 15MICROINCH GOLD	"2" 30MICROINCH GOLD				
CKT	HDR ASSY PN	HDR ASSY PN	HDR ASSY PN	A	B	C	D
2	2182160220	2182160221	2182160222	7.16	NA	2.95	11.20
4	2182160420	2182160421	2182160422	10.16	3.00	2.95	14.20
6	2182160620	2182160621	2182160622	13.16	6.00	2.95	17.20
8	2182160820	2182160821	2182160822	16.16	9.00	7.70	20.20

LEGEND

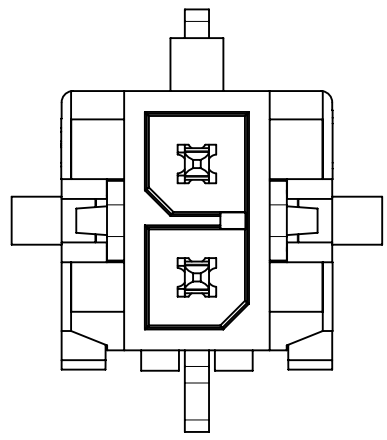
SERIES NO. 218216 - * * * *
 CKT NO. _____
 OPTION
 0: RIGHT ANGLE WITH NAIL
 1: RIGHT ANGLE WITH CLIP
 2: VERTICAL WITH NAIL
 3: VERTICAL WITH CLIP
 PLATING OPTION
 0: TIN
 1: 15MICROINCH AU
 2: 30MICROINCH AU



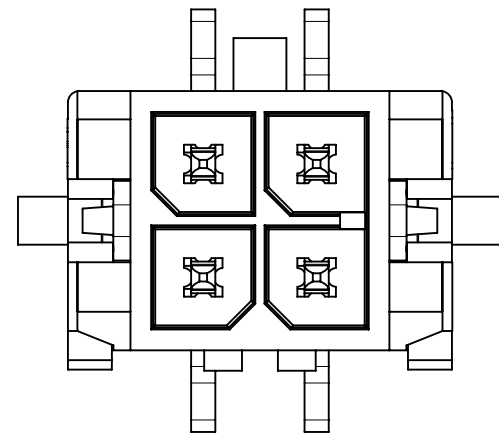
NOTES:

- HOSING MATERIAL: GLASS FILLED LIQUID CRYSTAL POLYMER, UL 94V-0, COLOR: BLACK
TERMINAL MATERIAL: HIGH COPPER ALLOY
- FINISH:
OPTION "0": REFLOW MATTE TIN OVER NICKEL
OPTION "1": SELECT 15MICROINCH GOLD AND SELECT MATTE TIN OVER NICKEL.
OPTION "2": SELECT 30MICROINCH GOLD AND SELECT MATTE TIN OVER NICKEL.
- PRODUCT SPECIFICATION : 2064600000-PS
- PRODUCT TEST SUMMARY: 2064600000-TS
- T&R PACK : 2182160000-PK
- MATE WITH RECEPTACLE 206461
- THE COPLANARITY DIMENSION IS ESTABLISHED BY PLACING THE ASSEMBLY ON A FLAT SURFACE. THE DISTANCE FROM THAT SURFACE TO THE BOTTOM OF ANY TERMINAL OR NAIL MUST NOT EXCEED 0.15
- THIS PART CONFORMS TO CLASS 'B' REQUIREMENTS OF COSMETIC SPECIFICATION PS-45499-002.

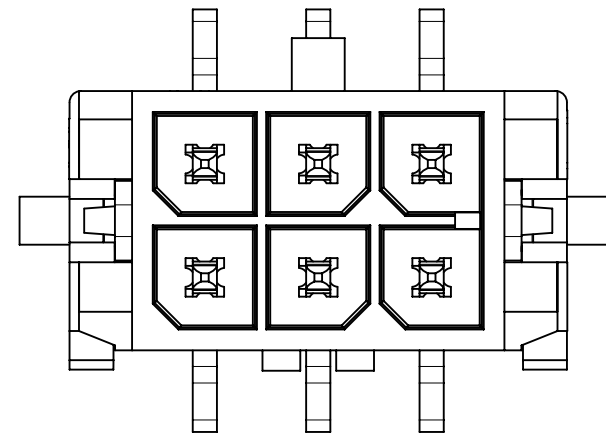
THIS DRAWING CONTAINS INFORMATION THAT IS PROPRIETARY TO MOLEX ELECTRONIC TECHNOLOGIES, LLC AND SHOULD NOT BE USED WITHOUT WRITTEN PERMISSION									
DIMENSION UNITS: mm		SCALE: NTS		CURRENT REV DESC:				molex	
GENERAL TOLERANCES (UNLESS SPECIFIED)		ANGULAR TOL ± 3.0°		EC NO: 724761					
4 PLACES ±		3 PLACES ±		DRWN: ALU002		2021/04/21		MICRO-FIT PLUS DUAL ROW VERTICAL HEADER SMT HEADER WITH NAIL	
2 PLACES ± 0.25		1 PLACE ± 0.36		CHK'D: XQZHANG		2022/10/17			
0 PLACES ±		DRAFT WHERE APPLICABLE MUST REMAIN WITHIN DIMENSIONS		APPR: XQZHANG		2022/10/17		PRODUCT CUSTOMER DRAWING	
INITIAL REVISION:		THIRD ANGLE PROJECTION		DRAWING		SERIES		DOCUMENT NUMBER	
DRWN: ALU002		DRAWING		SERIES		MATERIAL NUMBER		DOC TYPE DOC PART REVISION	
APPR: XQZHANG		DRAWING		SERIES		CUSTOMER		SHEET NUMBER	
2021/04/21		A2-SIZE		218216		SEE TABLE		GENERAL MARKET	
2022/10/17								1 OF 2	



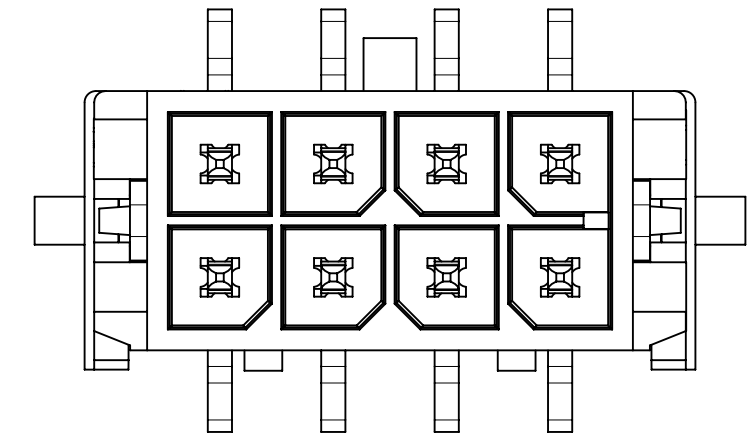
2CKT



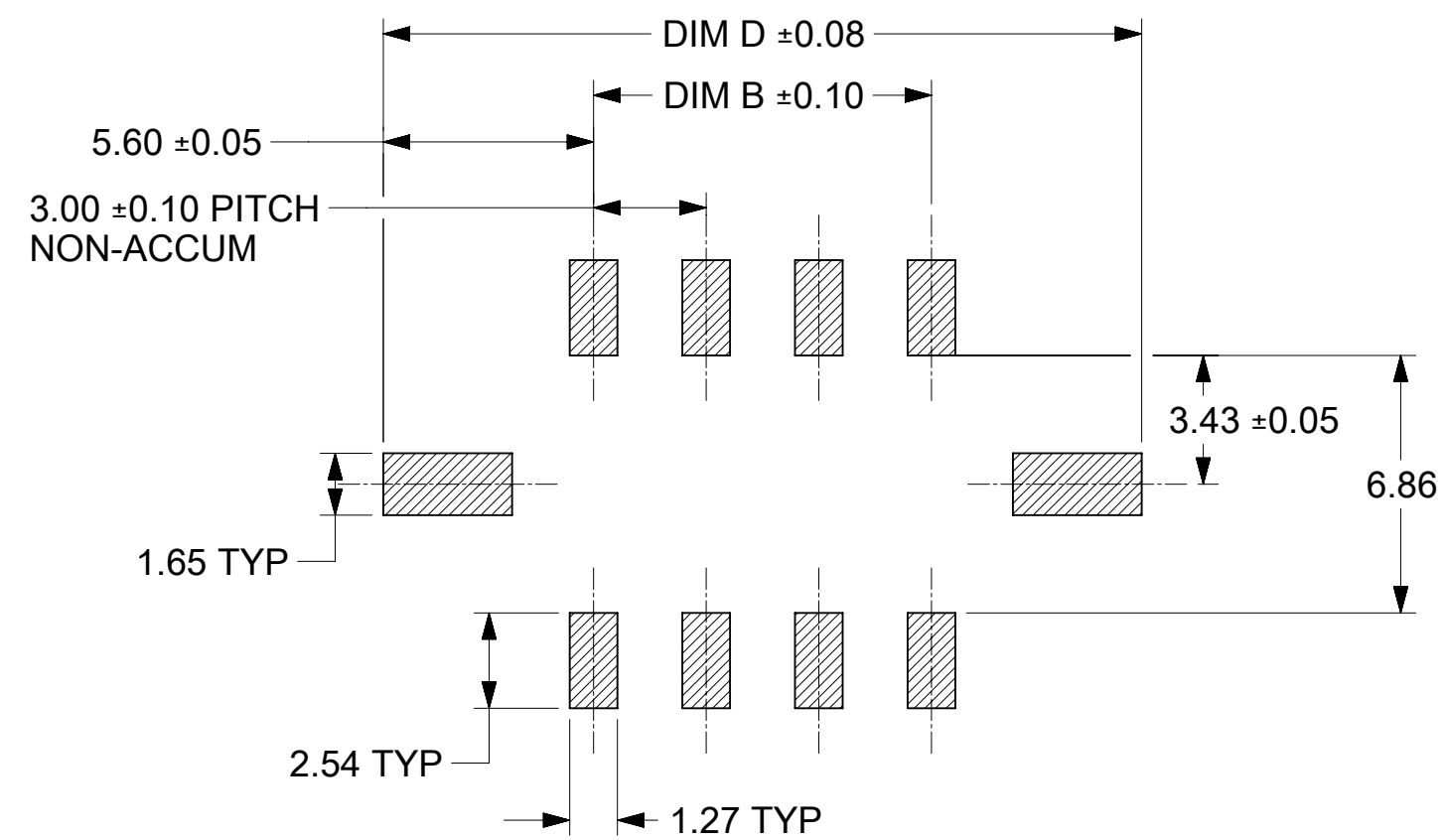
4CKT



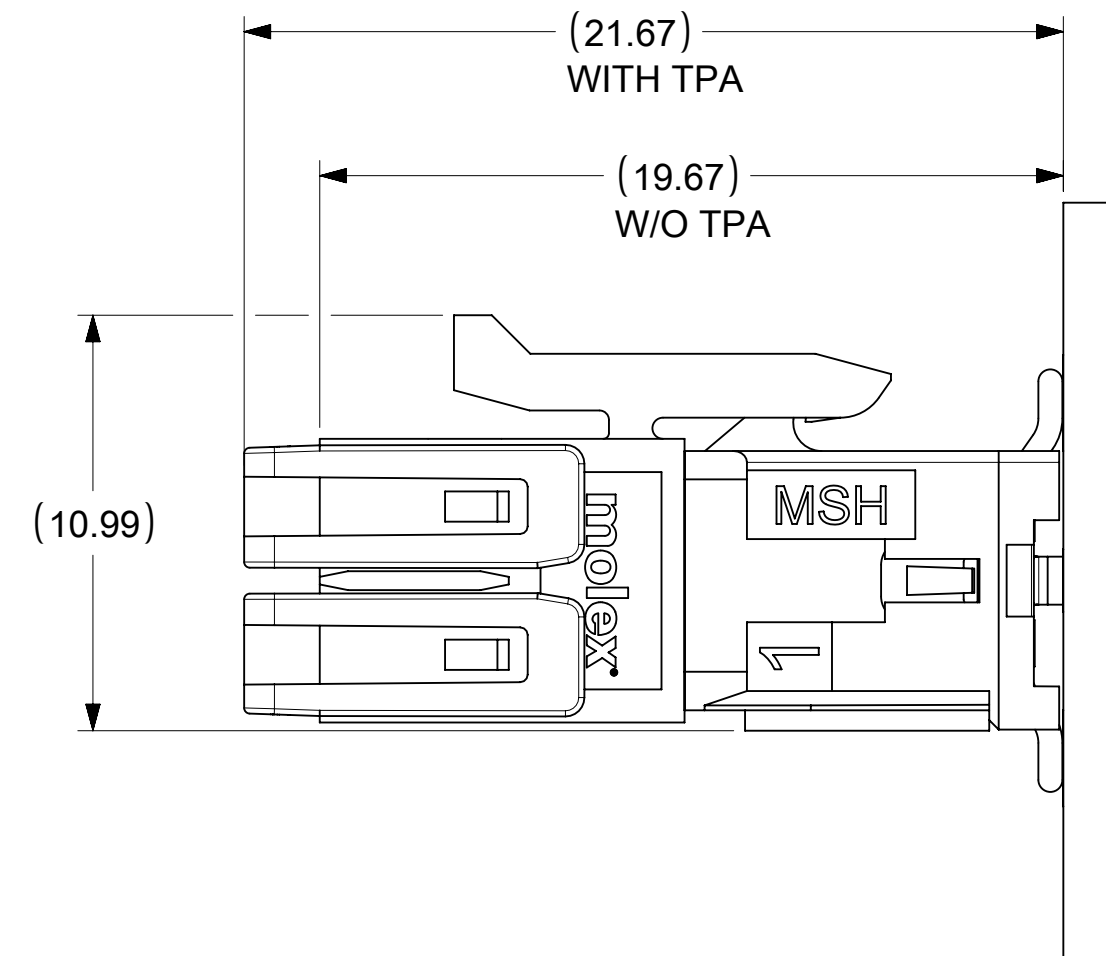
6CKT



8CKT



PCB LAYOUT: COMPONENT SIDE
 RECOMMENDED THICKNESS : 1.60 ± 0.05 MM



THIS DRAWING CONTAINS INFORMATION THAT IS PROPRIETARY TO MOLEX ELECTRONIC TECHNOLOGIES, LLC AND SHOULD NOT BE USED WITHOUT WRITTEN PERMISSION									
DIMENSION UNITS	SCALE	CURRENT REV DESC:							
mm	NTS								
GENERAL TOLERANCES (UNLESS SPECIFIED)					MICRO-FIT PLUS DUAL ROW VERTICAL HEADER SMT HEADER WITH NAIL				
ANGULAR TOL	\pm	3.0°							
4 PLACES	\pm		EC NO: 724761	2021/04/21	PRODUCT CUSTOMER DRAWING				
3 PLACES	\pm		DRWN: ALU002	2022/10/17					
2 PLACES	\pm	0.25	CHK'D: XQZHANG	2022/10/17	DOCUMENT NUMBER: 2182160020-SD DOC TYPE: PSD DOC PART: 000 REVISION: A				
1 PLACE	\pm	0.36	APPR: XQZHANG	2022/10/17					
0 PLACES	\pm		INITIAL REVISION:		MATERIAL NUMBER: SEE TABLE CUSTOMER: GENERAL MARKET SHEET NUMBER: 2 OF 2				
DRAFT WHERE APPLICABLE MUST REMAIN WITHIN DIMENSIONS		THIRD ANGLE PROJECTION	DRAWING	SERIES					
			A2-SIZE	218216					