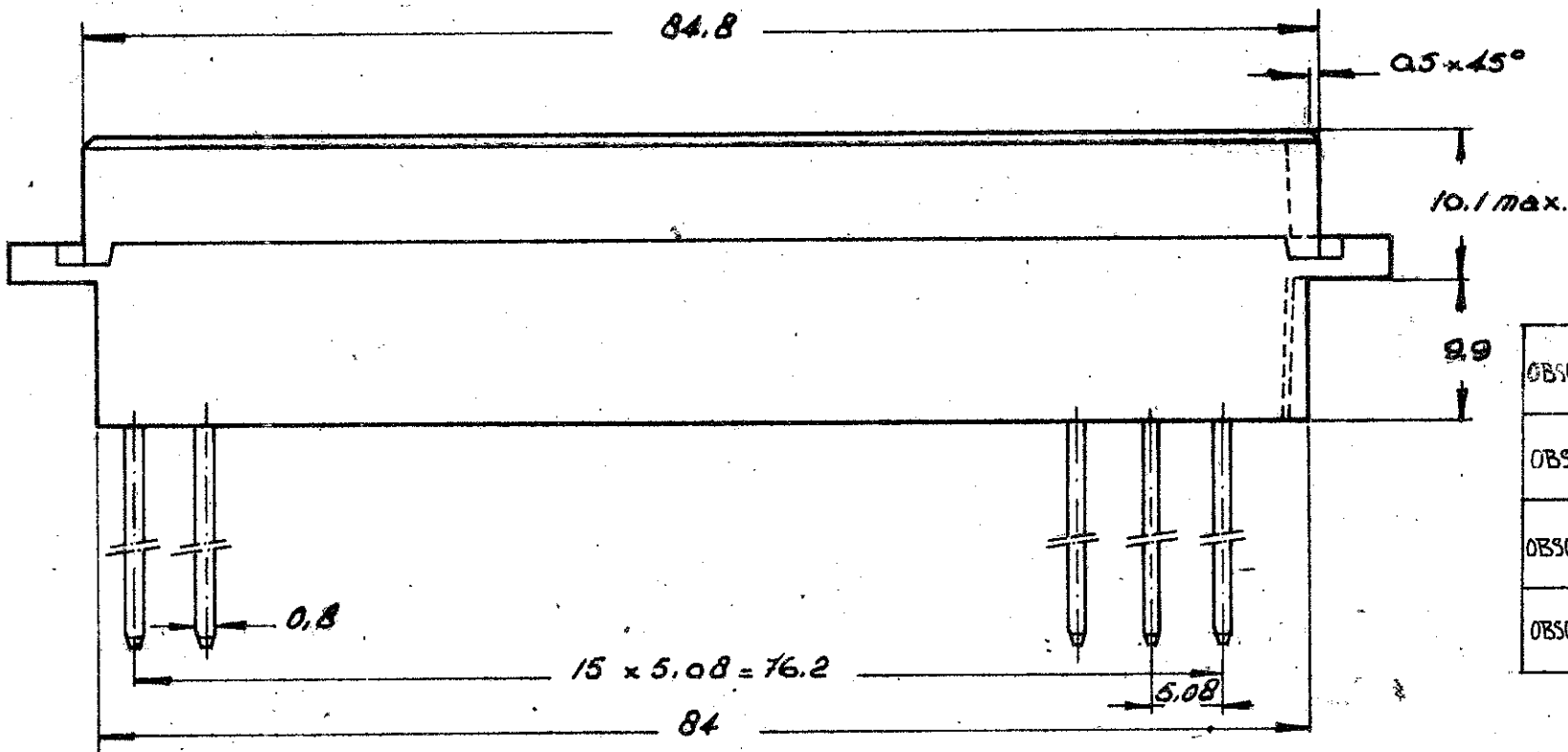
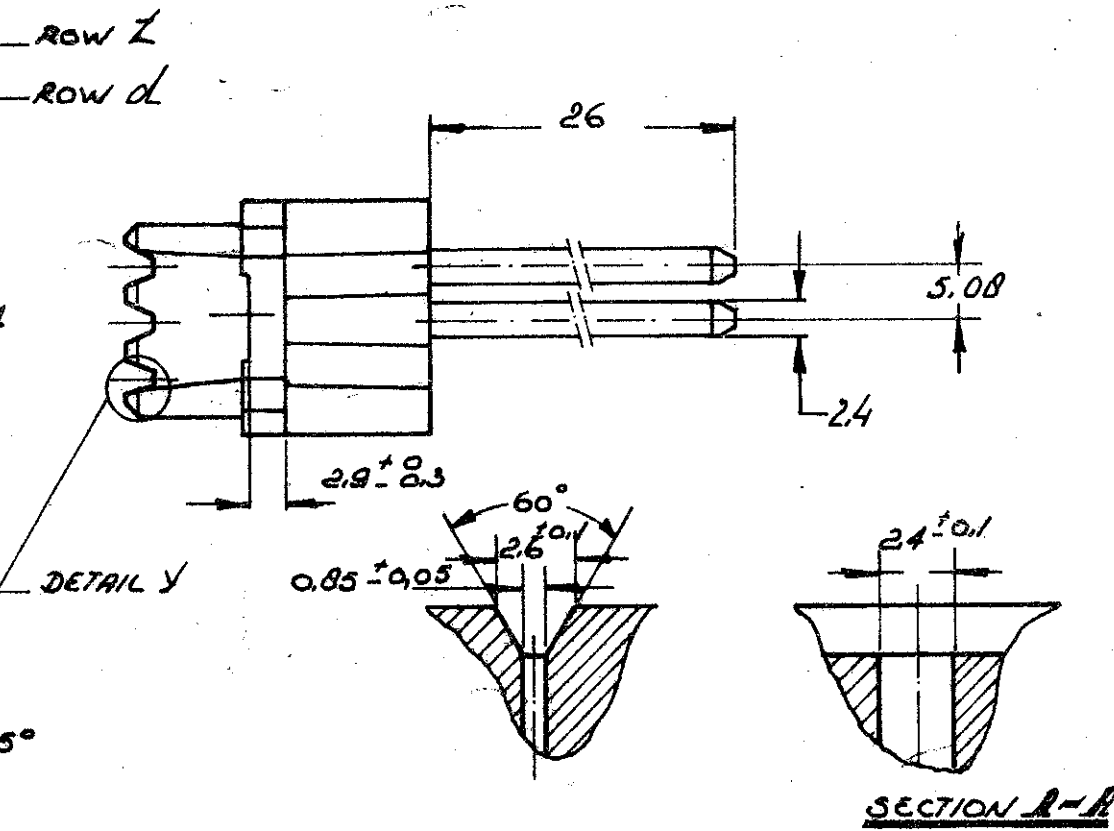
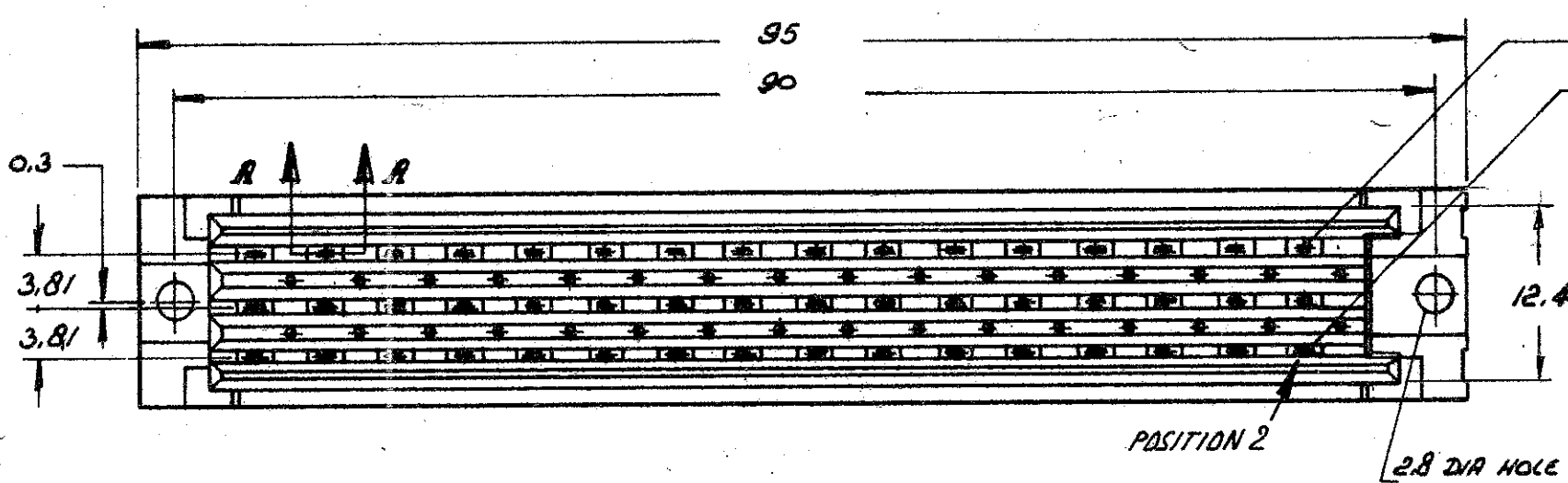


DRAWING MADE IN AMERICAN PROJECTION



OBSOLETE	2-166011-8	HOUSING: CLASSIFIED POLYCARBONATE (GREY) CONTACTS: PHOSPHORBRONZE	AT CONTACT AREA 0.4 μm ALL OVER 1.25 μm Ni.
OBSOLETE	2-166011-7		AT POST AREA GOLD FLASH OVER 1.25 μm Ni.
OBSOLETE	2-166011-6		AT CONTACT AREA 2.0 μm ALL OVER 1.25 μm Ni.
OBSOLETE	2-166011-4		AT POST AREA GOLD FLASH OVER 1.25 μm Ni.
OBSOLETE	2-166011-1		AT CONTACT AREA 3.75 μm ALL OVER 1.25 μm Ni.
			AT POST AREA GOLD FLASH OVER 1.25 μm Ni.
			AT CONTACT AREA 0.8 μm ALL OVER 1.25 μm Ni.
			AT POST AREA GOLD FLASH OVER 1.25 μm Ni.
			AT CONTACT AREA 1.25 μm ALL OVER 1.25 μm Ni.
			AT POST AREA GOLD FLASH OVER 1.25 μm Ni.
	ORDER NO.	MATERIAL	PLATING

AN ASTERISK * DENOTES A CONTACT.

CONTACT NO.	1	2	3	4	5	6	7	8	9	10	11	12	13	14	15	16	17	18	19	20	21	22	23	24	25	26	27	28	29	30	31	32		
ROW Z	X	X	X	X	X	X	X	X	X	X	X	X	X	X	X	X	X	X	X	X	X	X	X	X	X	X	X	X	X	X	X	X	X	
ROW b	X	X	X	X	X	X	X	X	X	X	X	X	X	X	X	X	X	X	X	X	X	X	X	X	X	X	X	X	X	X	X	X	X	
ROW d

10991-7

CUSTOMER COPY FOR REFERENCE ONLY

© 1982 BY AMP-HOLLAND N.V. ALL RIGHTS RESERVED A-MP PRODUCTS COVERED BY PATENTS AND/OR PATENTS PENDING.

AMP
AMP-HOLLAND N.V.
's-Hertogenbosch

DR DATE
J. GRUNSVEN 7-12-82

CHK DATE
J. GIBBELS

DE DATE

APP DATE

WIRE-RANGE INSUL-RANGE FIRST USED

SCALE SIZE NO
B C-166011

REV D

NAME 32 POS. FEMALE AC. CMM. ALL TO DIN 41612, E32F-C1M WITH MAXI TERM POINT POSTS