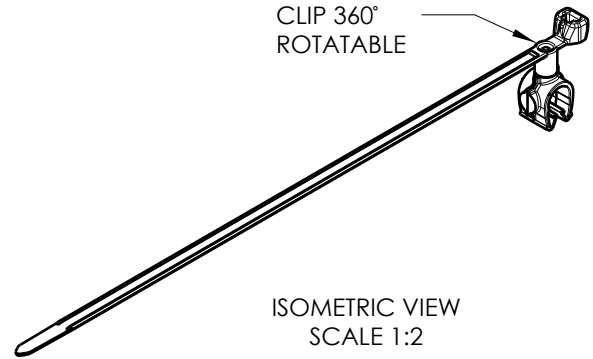
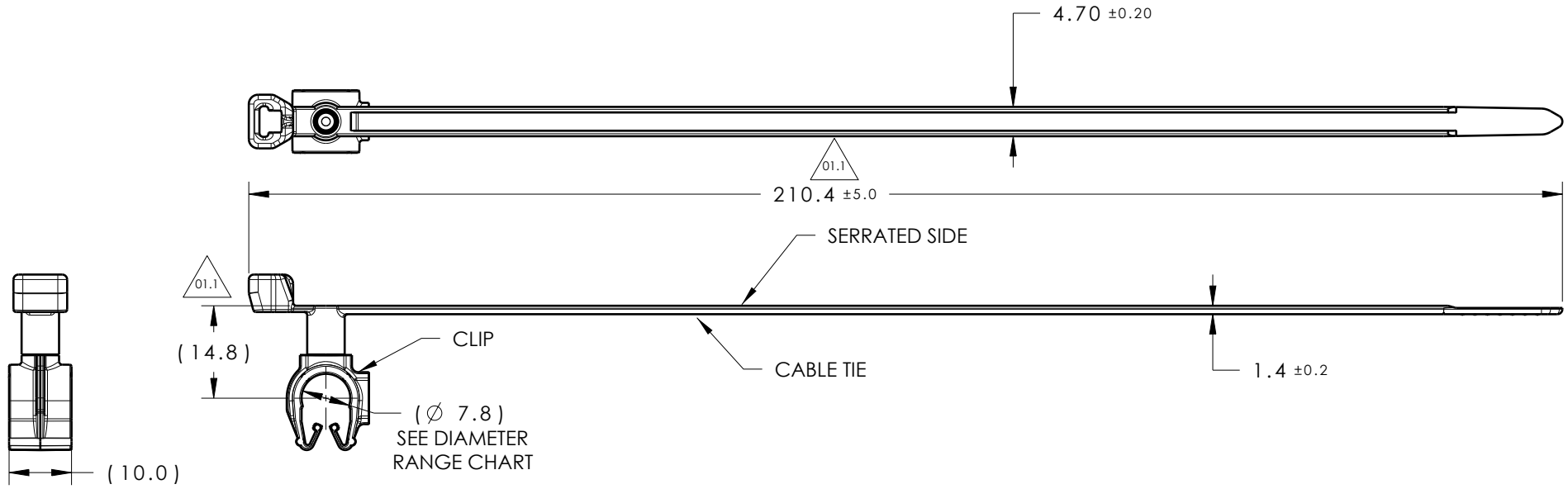


Revision Level			Revision Record	Changed	Date	Approved	Date
Drawing	State	Part					
01.1	Design Release	-	SEE ECN# 014539	CTF	07/25/2018	TAT	07/25/2017



TYPE	SUGGESTED DIAMETER RANGE*
HARNESS	7.5MM - 8.5MM
HOSE	7.0MM - 8.5MM
HARD PIPE/TUBE	7.9MM - 8.5MM

*RECOMMENDED SIZES MAY DIFFER DEPENDING ON THE APPLICATION , PRODUCT REQUIREMENTS AND MATERIALS USED

**PATENT PENDING 29/582,271

GLOBAL PART DESCRIPTION		BUNDLE RANGE	CABLE TIE			CLIP**			
T50SMVCMOC8M180-PA66HIRHSUV-BK		2 TO 50	DRAWING	MATERIAL	COLOR	DRAWING	MATERIAL	COLOR	
			14-0606-012-CSU	PA66HIRHSUV	BLACK	16-0316-000-CSU	PA66HIRHSUV	BLACK	
Material SEE CHART COLOR: SEE CHART	Units millimeters Tolerance defined on each dimension	The copyright of this drawing is reserved by HellermannTyton. It is issued on condition that it is not reproduced, copied or disclosed to a third party, either wholly or in part, without the consent of HellermannTyton.	Drawn	TAT	10/16/17	Article/Type-No T50SMVCMOC8M180		Scale 1:1	
			Approved	EJH	10/25/17	Title T50SMVC CABLE TIE COUPLED TO 8MM MOC WITH M180 PIN		Project Number 16-0316	
			 North America Email: corp@htamericas.com Web: www.hellermann.tyton.com			Drawing-No	PRODUCTION : Phase		Format AH
						16-0316-306-CSU			Sheet 1/1