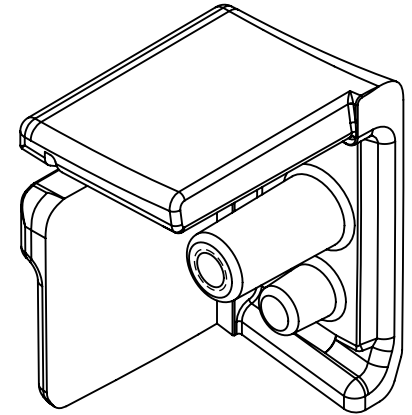
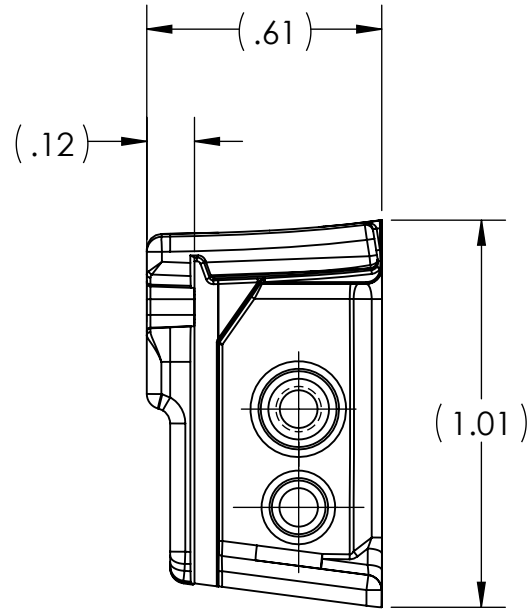
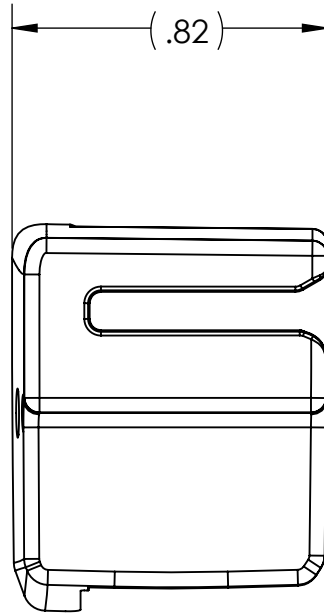
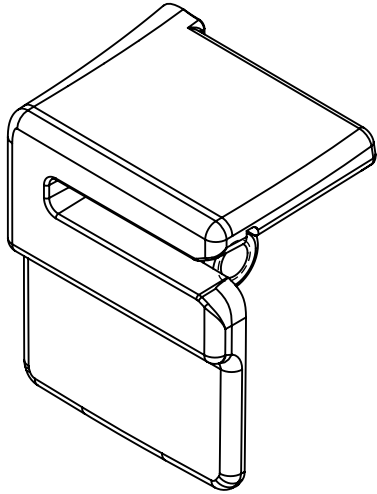


SW2015



Revision level			Revision Record	Changed	Date	Approved	Date
Drawing	State	Part					
00.0	Design Release	-	SEE ECN# 300313	DKM	11-16-2017	TJM	11-16-2017



NOTE: TIE TAIL LENGTH INCREASED BY APPROXIMATELY 2MM OVER STANDARD NOSEPIECE

Material  
**METAL**

Units: **inches**  
 Dimension without tolerances details to:  
 .xxxx = ±.0005  
 .xxx = ±.005  
 .xx = ±.01  
 .x = ±.03  
 None = ±.06  
 < = ±0.5°  
 Dimension Formatted in [mm]

The copyright of this drawing is reserved by HellermannTyton. It is issued on condition that it is not reproduced, copied, or disclosed to a third party, either wholly or in part, without the consent of HellermannTyton.

Drawn	TJM	6-8-2015
Approved	TJM	6-8-2015
<b>HellermannTyton</b>		
North America Email: <a href="mailto:corp@htamericas.com">corp@htamericas.com</a> Web: <a href="http://www.hellermann.tyton.com">www.hellermann.tyton.com</a>		

Article/Type-No 110-80064  
 Title **EVO9 NOSEPIECE EXTENDED 2mm**  
 Drawing-No **13-0516-210-CSU** Production : Phase

Scale 2:1  
 Project Number PRP 13-0516  
 Format AH  
 Sheet 1/1