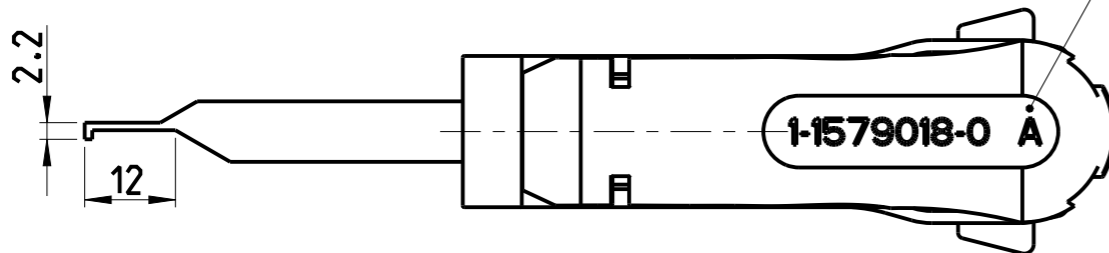
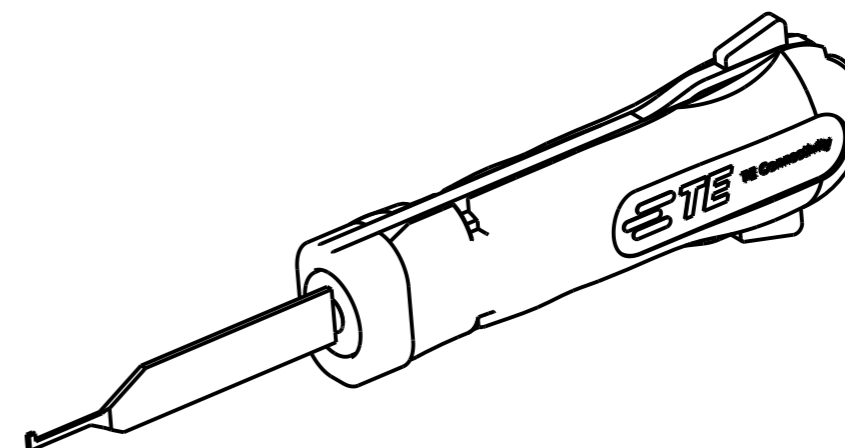
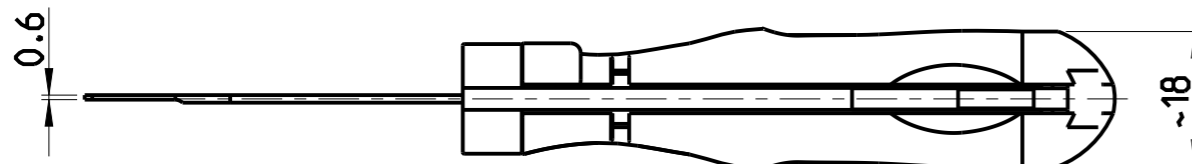
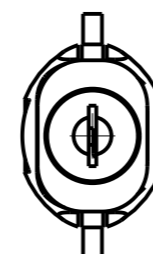
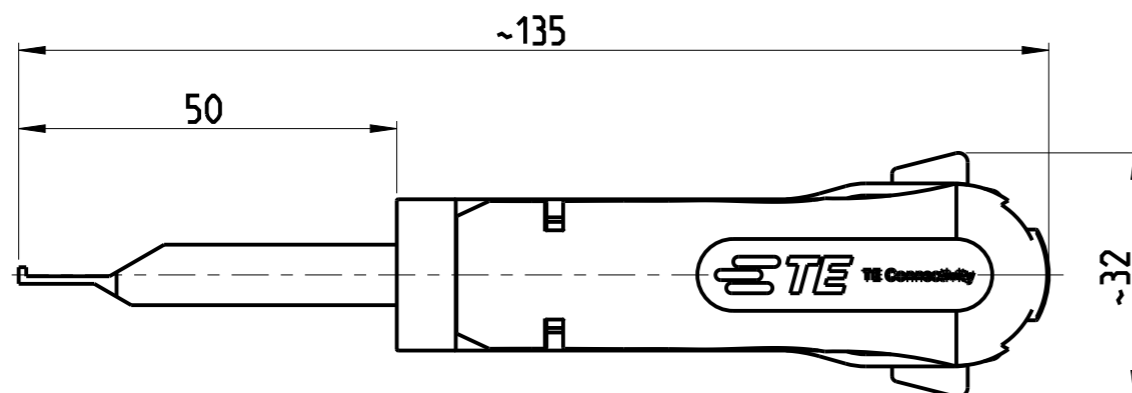


REVISIONS

P	LTR	DESCRIPTION	DATE	DWN	APVD
	A	INITIAL REVISION	18AUG2009	SA	GS
	A1	ECR-21-001703	18FEB2021	PNT	GS



ITEM NUMBER
Art-Nr H=3mm

APPLICATION RANGE / Anwendungsbereich:

EXTRACTION TOOL FOR DTL

THIS DRAWING IS A CONTROLLED DOCUMENT.

DIMENSIONS: mm		TOLERANCES UNLESS OTHERWISE SPECIFIED:	
		0 PLC	±
		1 PLC	±
		2 PLC	±
		3 PLC	±
MATERIAL		FINISH	±
-		-	-

DWN	S. Samstag	18AUG2009
CHK	G. Stegmayer	18AUG2009
APVD	G. Stegmayer	18AUG2009
PRODUCT SPEC		
APPLICATION SPEC		
WEIGHT		
CUSTOMER DRAWING		



NAME EXTRACTION TOOL Entriegelungswerkzeug			
SIZE	CAGE CODE	DRAWING NO	RESTRICTED TO
A3	00779	C-1-1579018-0	-
SCALE		SHEET	REV
1:1		1 OF 1	A1