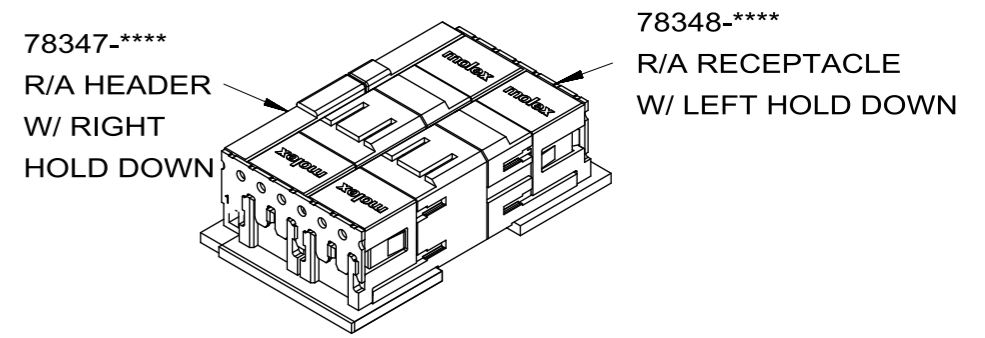
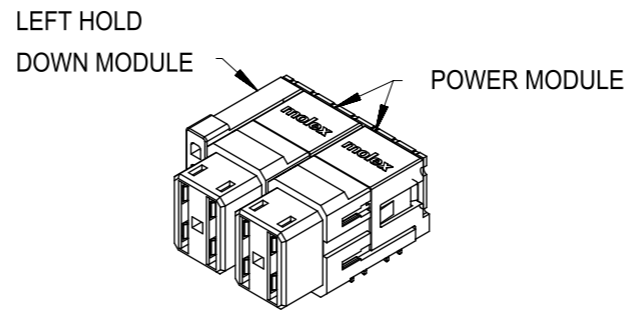


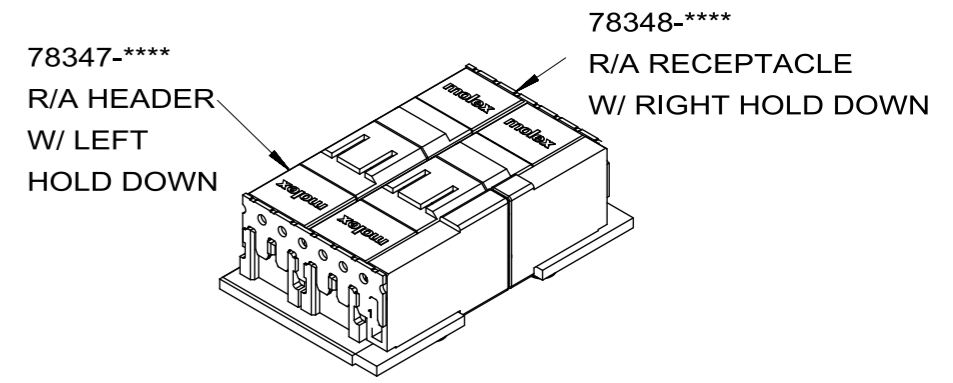
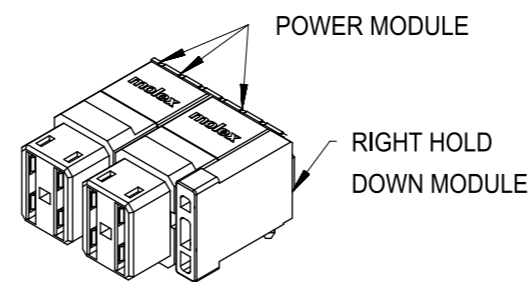
PART NUMBER	NUMBER OF POWER MODULES	"DIM A"	PLATING OPTION	LEFT HOLD DOWN MODULE LOCATION ⁹
78348-1001	1X	15.00	TIN	REFER TO SHEET 2 FOR DETAILS
78348-1011	2X	26.40		
78348-5001	1X	15.00	TIN-LEAD	
78348-5011	2X	26.40		

LEFT HOLD DOWN OPTIONS



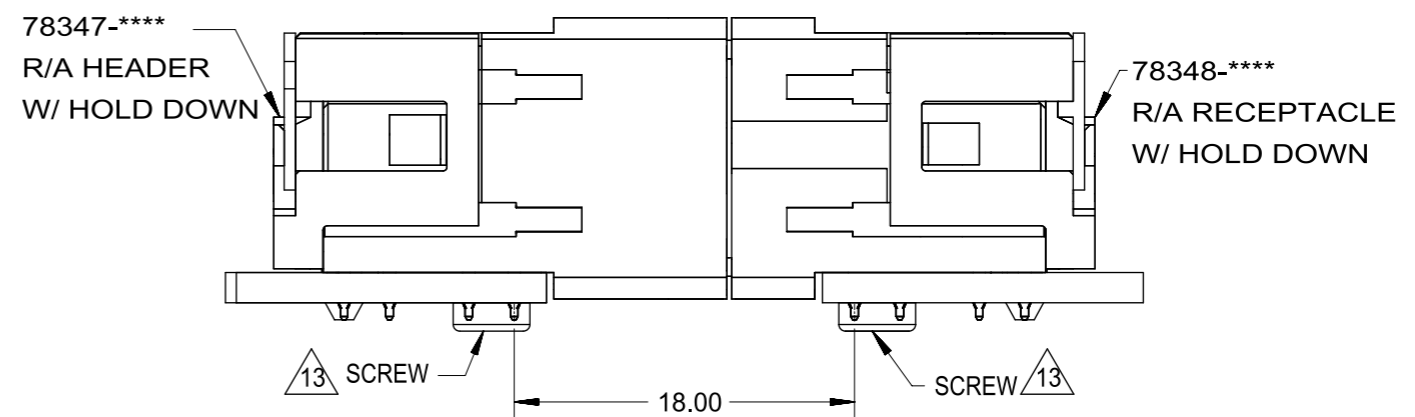
PART NUMBER	NUMBER OF POWER MODULES	"DIM A"	PLATING OPTION	RIGHT HOLD DOWN MODULE LOCATION ⁹
78348-2001	1X	15.00	TIN	REFER TO SHEET 3 FOR DETAILS
78348-2011	2X	26.40		
78348-6001	1X	15.00	TIN-LEAD	
78348-6011	2X	26.40		

RIGHT HOLD DOWN OPTIONS



NOTES:

- MATERIALS:
HOUSING - HIGH TEMP. THERMOPLASTIC, GLASS FILLED, UL94-V0,COLOR:BLACK.
POWER PIN - COPPER ALLOY.
- FINISHES:
POWER CONTACTS
0.76m MINIMUM GOLD AT CONTACT AREA AND
2.54m MINIMUM TIN OR TIN-LEAD AT SOLDERTAIL AREA
OVER 1.27m MINIMUM NICKEL UNDERPLATE.
- PRODUCT SPECIFICATION: PS-78213-001.
- PACKAGING SPECIFICATION:
PK-78348-001 (1X MODULE WITH HOLD DOWN MODULE)
PK-78348-002 (2X MODULE WITH HOLD DOWN MODULE)
- REFER TO MOLEX PRODUCT SPECIFICATION PS-78213-001 FOR PLATED THROUGH HOLE SPECIFICATIONS AND TORQUE FORCE.
- MATES WITH 78347-**** or 78211-**** or 78399
- PART NUMBER AND YEAR-DAY CODE. CAN BE AT THE OPPOSITE SIDE.
- ADD 11.4mm FOR EACH ADDITIONAL POWER MODULE.
- THE DETAILS FOR LEFT & RIGHT HOLD DOWN OPTION ARE SHOWN IN SHEET 2 AND SHEET 3 RESPECTIVELY.
- CONNECTORS ARE PACKED IN TRAY
- FIRST POWER MODULE (#1) STARTS FROM THE RIGHT.
- REFER TO SD-78247-001 FOR DETAILS OF THE POWER MODULE.
- ALL PARTS ARE SHIPPED WITH A 2-32 TYPE AB SELF-TAPPING SCREW PART NUMBER 73726-0000.
- COMPONENT KEEP AWAY ZONE FROM CONNECTOR

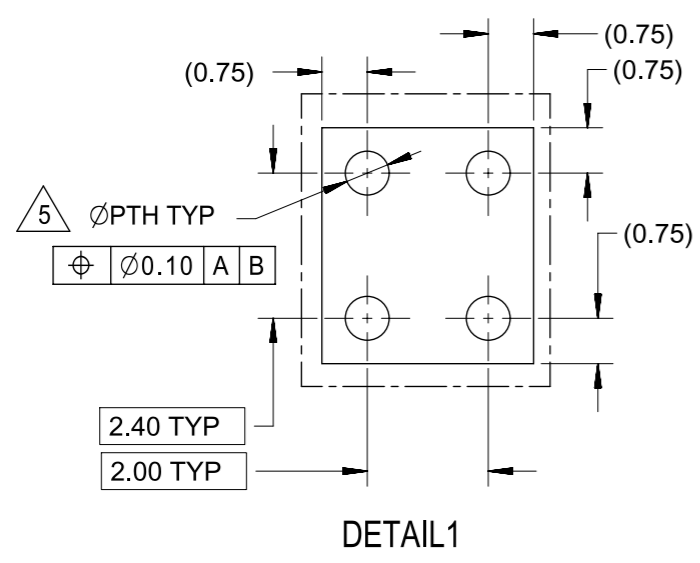
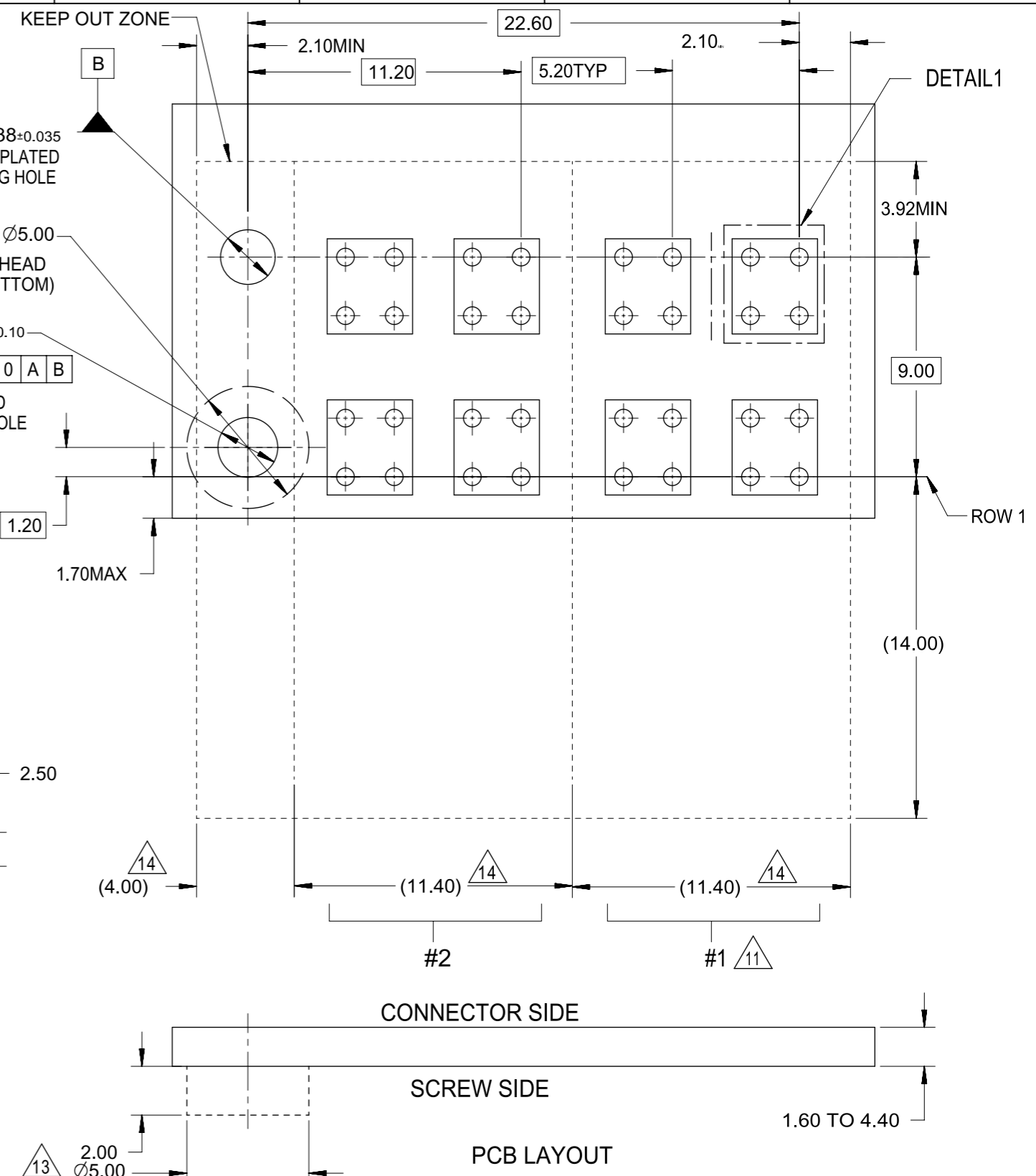
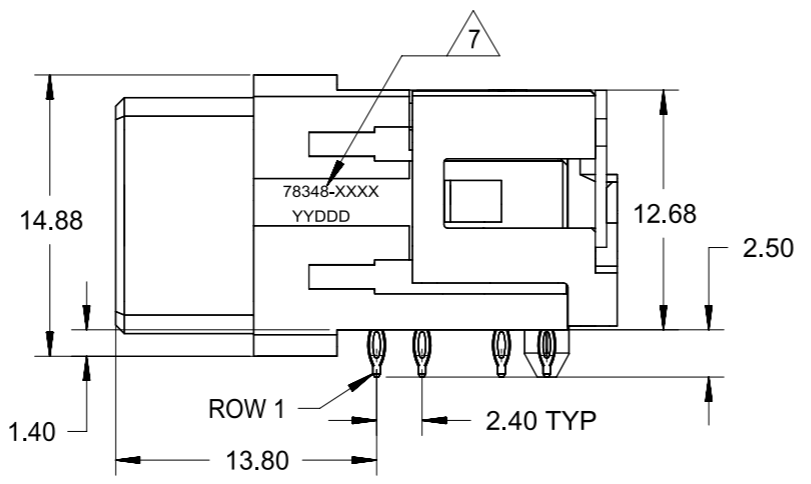
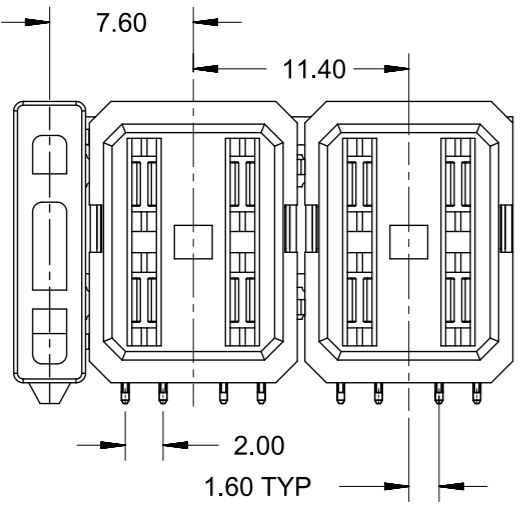
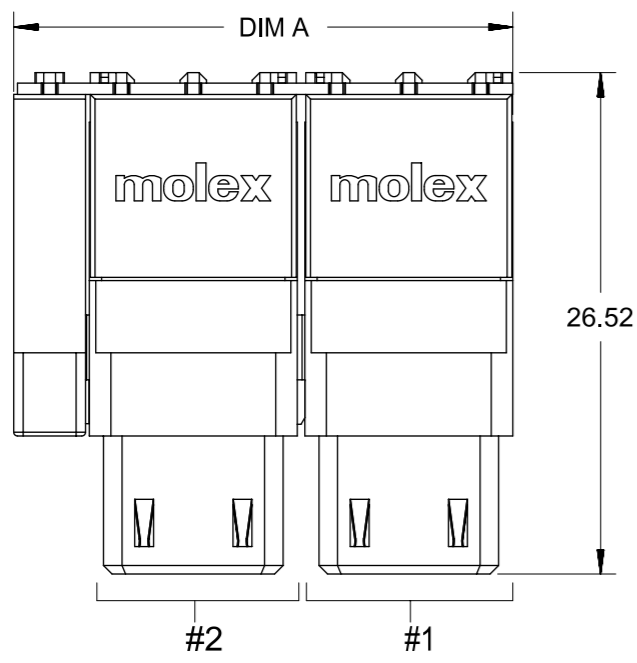


DISTANCE BETWEEN ROW A AT FULL MATED CONDITION

RELEASE STATUS	P1	RELEASE DATE	27.11.2017	10:47:54
----------------	----	--------------	------------	----------

QUALITY SYMBOLS A = 0 E = 0 EP = 0 ▼ = 0 C = 0 ⊗ = 0 ■ = 0 ▽ = 0	THIS DRAWING CONTAINS INFORMATION THAT IS PROPRIETARY TO MOLEX ELECTRONIC TECHNOLOGIES, LLC AND SHOULD NOT BE USED WITHOUT WRITTEN PERMISSION					
	REMASTER TO NX EC NO: 167794 DRWN: JSGOH01 CHK'D: APPR: SHONG	2017/11/08 2017/11/27	GENERAL TOLERANCES (UNLESS SPECIFIED) ANGULAR TOL ± 3.0 ° 4 PLACES ± 3 PLACES ± 2 PLACES ± 0.25 1 PLACE ± 0 PLACES ± DRAFT WHERE APPLICABLE MUST REMAIN WITHIN DIMENSIONS	DIMENSION UNITS: MM ONLY SCALE: NTS DRWN BY: KJKOH DATE: 2008/09/25 CHK'D BY: LNG DATE: 2008/10/29 APPR BY: SHONG DATE: 2011/02/08		
		PRODUCT CUSTOMER DRAWING		DRAWING SIZE: A3 THIRD ANGLE PROJECTION	SERIES: 78348 MATERIAL NUMBER: SEE TABLE CUSTOMER: GENERAL MARKET	
		DOCUMENT NUMBER: SD-78348-001		DOC TYPE: PSD DOC PART: 001	SHEET NUMBER: 1 OF 4	

LEFT HOLD DOWN OPTION



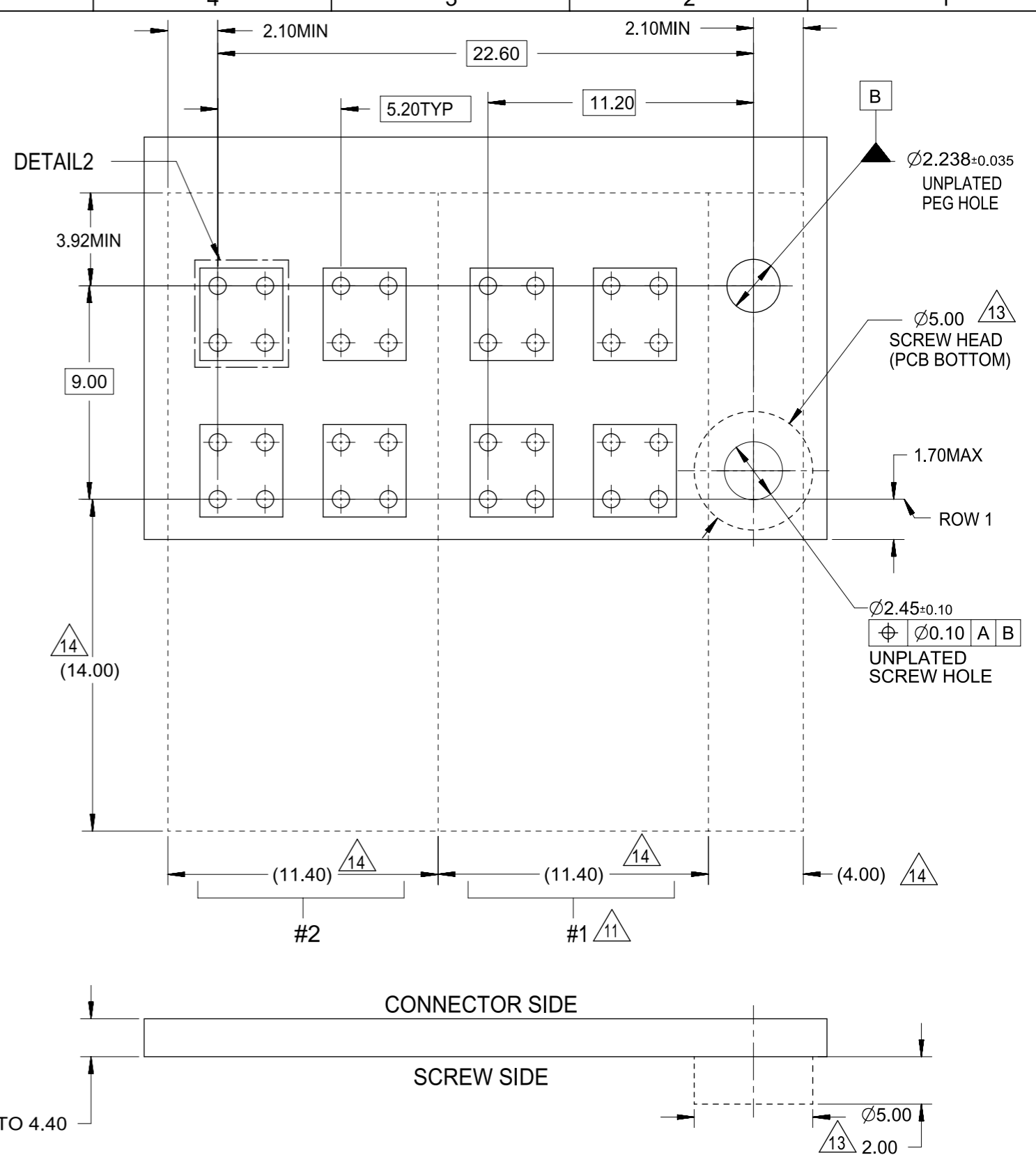
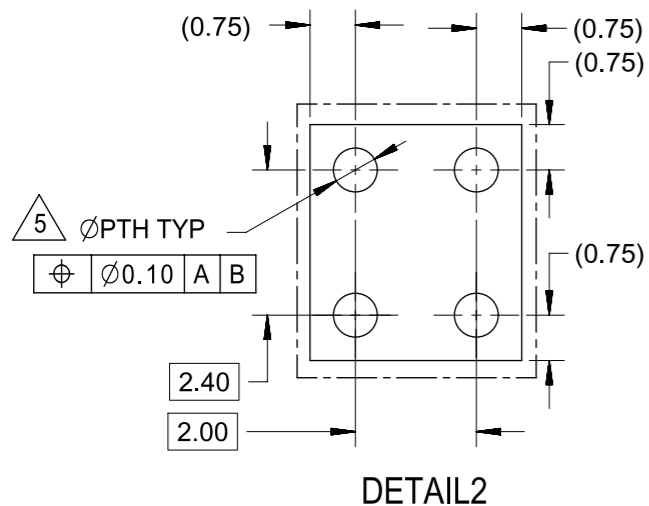
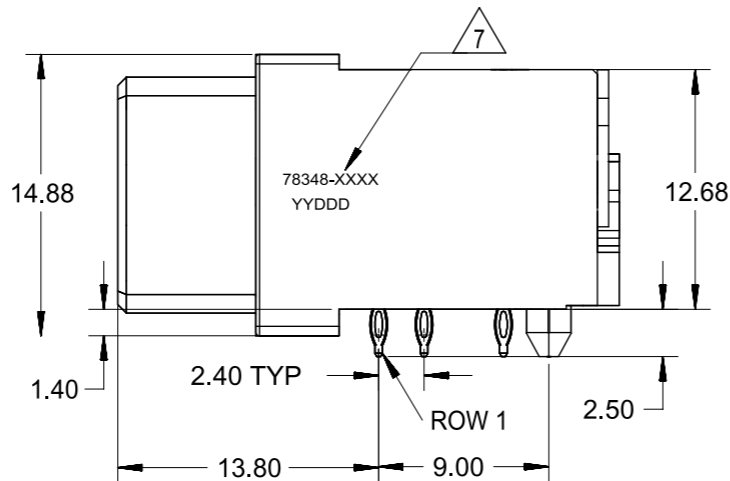
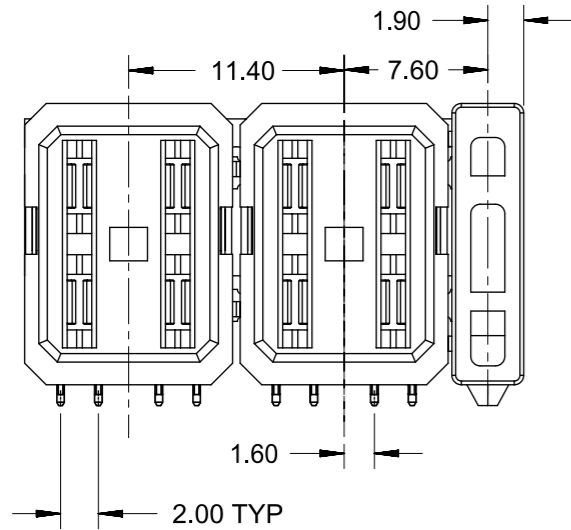
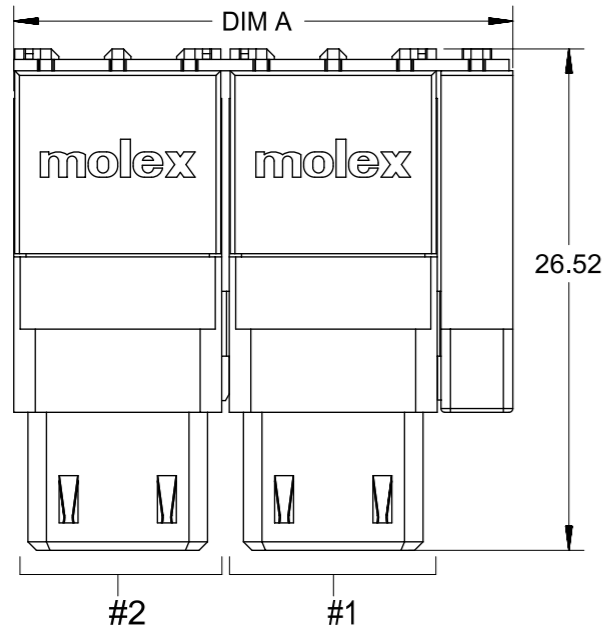
THIS DRAWING CONTAINS INFORMATION THAT IS PROPRIETARY TO MOLEX ELECTRONIC TECHNOLOGIES, LLC AND SHOULD NOT BE USED WITHOUT WRITTEN PERMISSION											
QUALITY SYMBOLS	REMASTER TO NX	EC NO: 167794	DRWN: JSGOH01	CHK'D: SHONG	APPR: SHONG	GENERAL TOLERANCES (UNLESS SPECIFIED)		DIMENSION UNITS		SCALE	
						ANGULAR TOL ± 3.0 °		MM ONLY	NTS		
▽A = 0						4 PLACES ±		DRWN BY	DATE		
▽E = 0						3 PLACES ±		KJKOH	2008/09/25		
▽F = 0						2 PLACES ± 0.25		CHK'D BY	DATE		
▽ = 0						1 PLACE ±		LNG	2008/10/29		
▽C = 0						0 PLACES ±		APPR BY	DATE		
▽ = 0								SHONG	2011/02/08		
▽ = 0								DRAWING SIZE	THIRD ANGLE PROJECTION		
▽ = 0								A3			
						DRAFT WHERE APPLICABLE MUST REMAIN WITHIN DIMENSIONS					
		B6		REV							
RELEASE STATUS			P1	RELEASE DATE		27.11.2017	10:47:54				

**IMPACT POWER, 3 PAIR
R/A RECEPT W/HOLD DOWN PRESS-FIT**

PRODUCT CUSTOMER DRAWING

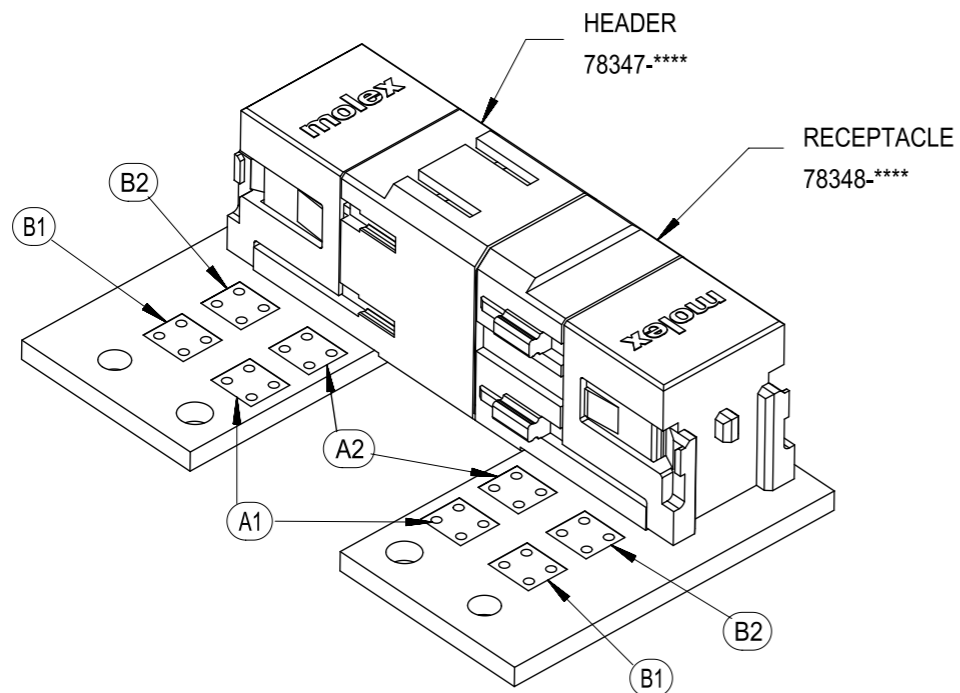
SERIES	MATERIAL NUMBER	CUSTOMER	
78348	SEE TABLE	GENERAL MARKET	
DOCUMENT NUMBER	DOC TYPE	DOC PART	SHEET NUMBER
SD-78348-001	PSD	001	2 OF 4

RIGHT HOLD DOWN OPTION

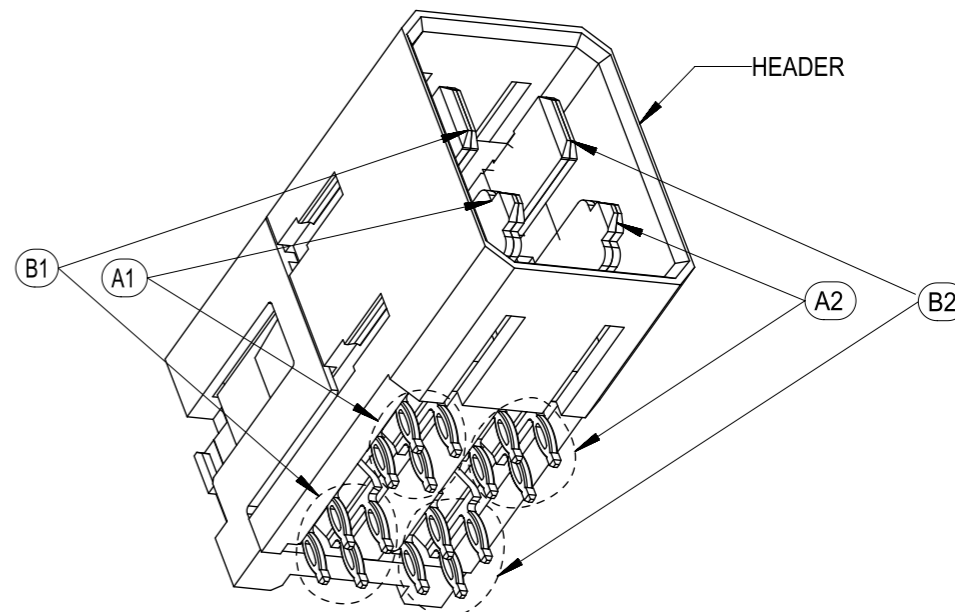


THIS DRAWING CONTAINS INFORMATION THAT IS PROPRIETARY TO MOLEX ELECTRONIC TECHNOLOGIES, LLC AND SHOULD NOT BE USED WITHOUT WRITTEN PERMISSION

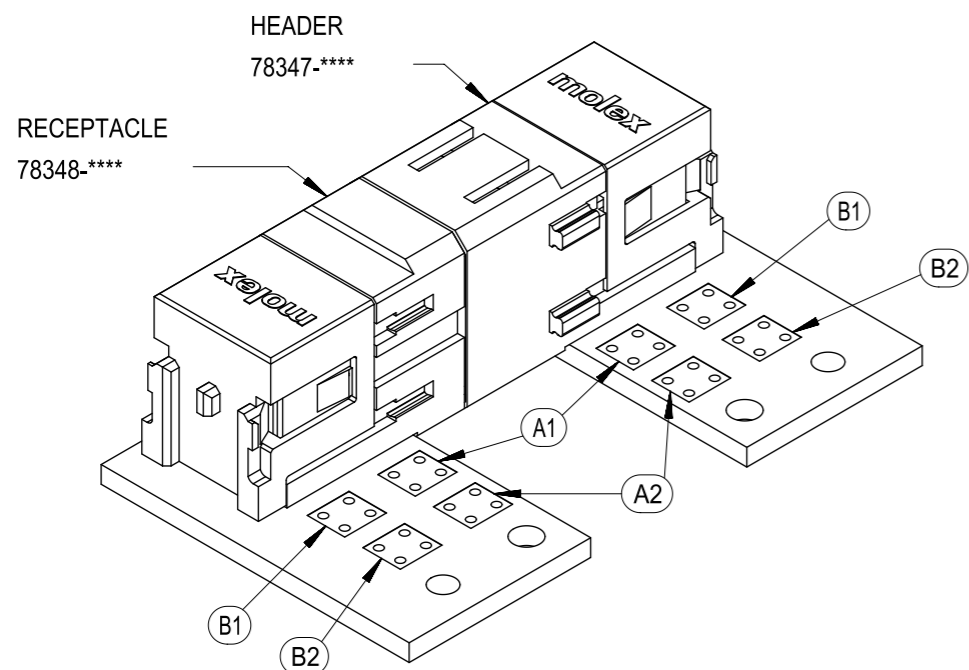
QUALITY SYMBOLS A = 0 E = 0 F = 0 G = 0 H = 0 I = 0 J = 0 K = 0 L = 0 M = 0 N = 0 O = 0 P = 0 Q = 0 R = 0 S = 0 T = 0 U = 0 V = 0 W = 0 X = 0 Y = 0 Z = 0	REMASTER TO NX EC NO: 167794 DRWN: JSGOH01 CHK'D: SHONG APPR: SHONG		2017/11/08 2017/11/27		GENERAL TOLERANCES (UNLESS SPECIFIED) ANGULAR TOL ± 3.0 ° 4 PLACES ± 3 PLACES ± 2 PLACES ± 0.25 1 PLACE ± 0 PLACES ±		DIMENSION UNITS: MM ONLY SCALE: NTS			
	DRAFT WHERE APPLICABLE MUST REMAIN WITHIN DIMENSIONS		DRAWING SIZE: A3 THIRD ANGLE PROJECTION		DRWN BY: KJKOH DATE: 2008/09/25		IMPACT POWER, 3 PAIR R/A RECEPT W/HOLD DOWN PRESS-FIT			
	PRODUCT CUSTOMER DRAWING		APPR BY: SHONG DATE: 2011/02/08		CHK'D BY: LNG DATE: 2008/10/29				SERIES: 78348 MATERIAL NUMBER: SEE TABLE CUSTOMER: GENERAL MARKET	
	B6		REV: B6		DRAFT WHERE APPLICABLE MUST REMAIN WITHIN DIMENSIONS		A3		DOCUMENT NUMBER: SD-78348-001 DOC TYPE: PSD DOC PART: 001 SHEET NUMBER: 3 OF 4	



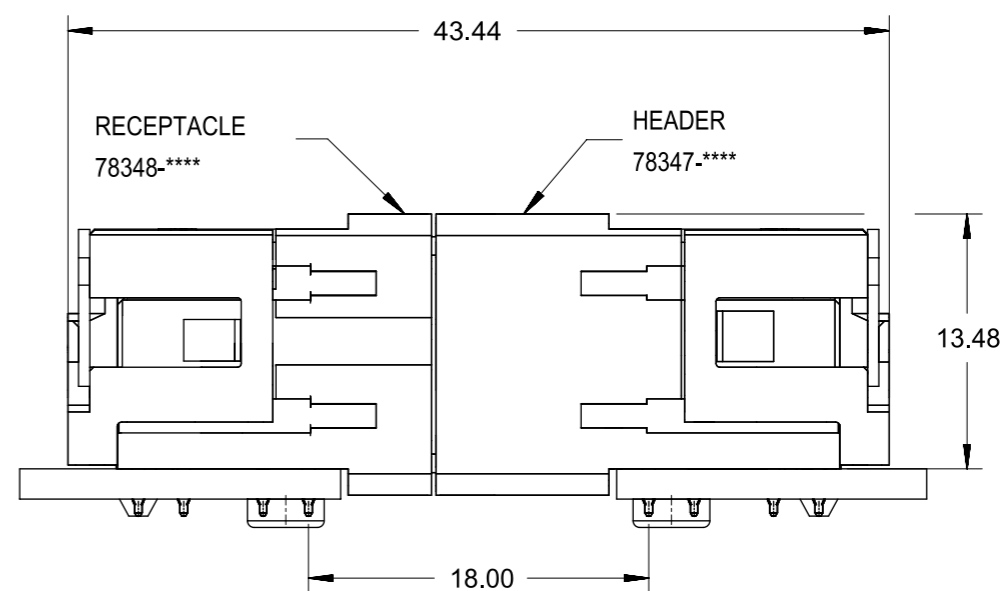
SERIES NUMBER 78348; RIGHT HOLD DOWN:
1 POWER MODULE AND HOLD DOWN REMOVED TO
ILLUSTRATE CIRCUIT PATH OF MATED SYSTEM



PIN NUMBER ASSIGNMENT BASED ON HEADER SIDE:
A1, B1 ON THE LEFT
A2, B2 ON THE RIGHT



SERIES HOLD DOWN 78348; LEFT HOLD DOWN:
1 POWER MODULE AND HOLD DOWN REMOVED TO
ILLUSTRATE CIRCUIT PATH OF MATED SYSTEM



MATED SYSTEM OF 78347 & 78348

QUALITY SYMBOLS		THIS DRAWING CONTAINS INFORMATION THAT IS PROPRIETARY TO MOLEX ELECTRONIC TECHNOLOGIES, LLC AND SHOULD NOT BE USED WITHOUT WRITTEN PERMISSION											
▽A	= 0	REMASTER TO NX EC NO: 167794 DRWN: JSGOH01 CHK'D: REV APPR: SHONG	GENERAL TOLERANCES (UNLESS SPECIFIED)	DIMENSION UNITS		SCALE							
▽E	= 0			MM ONLY		NTS							
▽F	= 0			ANGULAR TOL ± 3.0 °		DRWN BY DATE							
▽	= 0			4 PLACES ±		KJKOH 2008/09/25							
▽	= 0			3 PLACES ±		CHK'D BY DATE		IMPACT POWER, 3 PAIR R/A RECEPT W/HOLD DOWN PRESS-FIT					
▽	= 0			2 PLACES ± 0.25		LNG 2008/10/29							
▽	= 0			1 PLACE ±		APPR BY DATE		PRODUCT CUSTOMER DRAWING					
▽	= 0			0 PLACES ±		SHONG 2011/02/08							
▽	= 0			DRAFT WHERE APPLICABLE MUST REMAIN WITHIN DIMENSIONS		DRAWING SIZE		THIRD ANGLE PROJECTION		SERIES	MATERIAL NUMBER	CUSTOMER	
▽	= 0			B6		A3				78348	SEE TABLE	GENERAL MARKET	
								DOCUMENT NUMBER	DOC TYPE	DOC PART	SHEET NUMBER		
								SD-78348-001	PSD	001	4 OF 4		