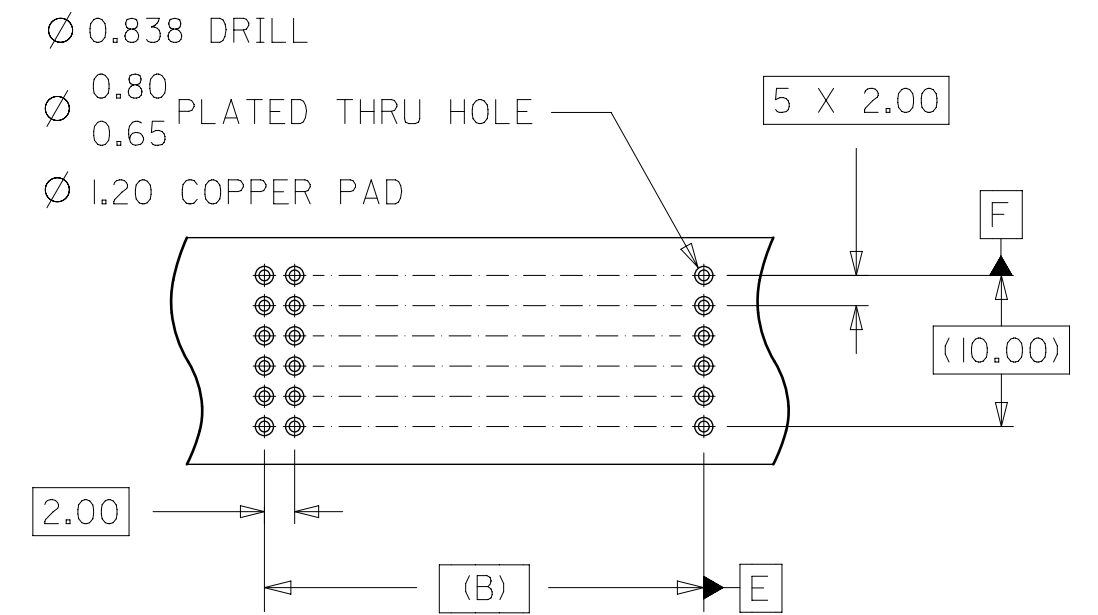
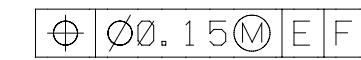
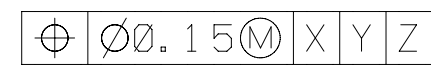
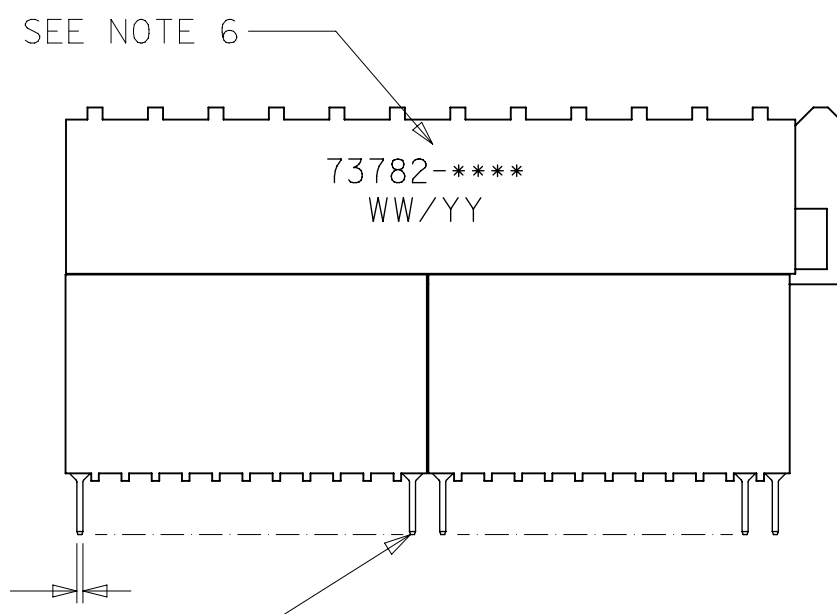
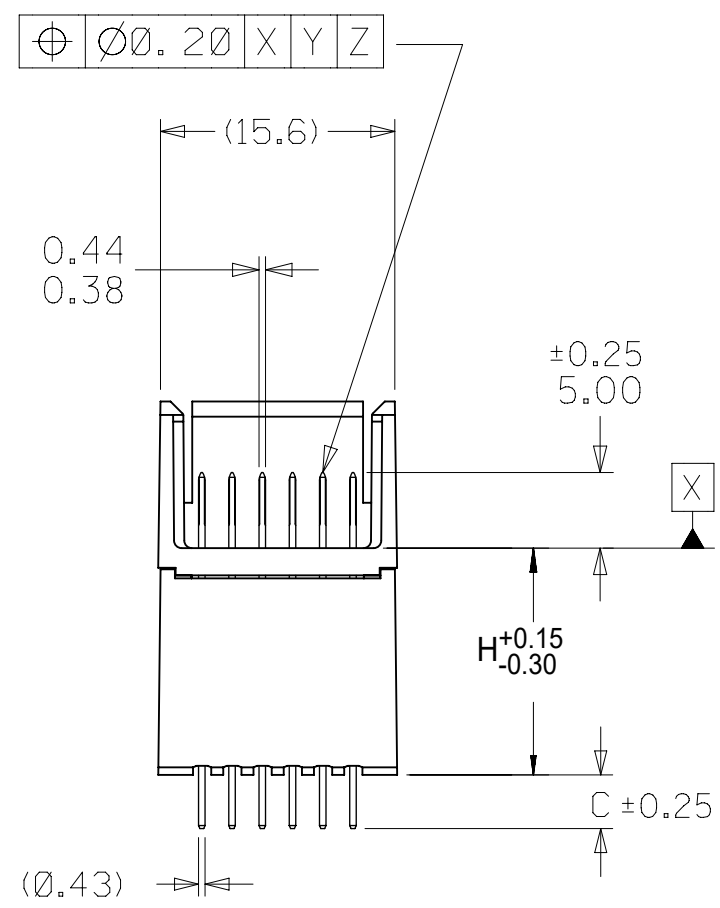
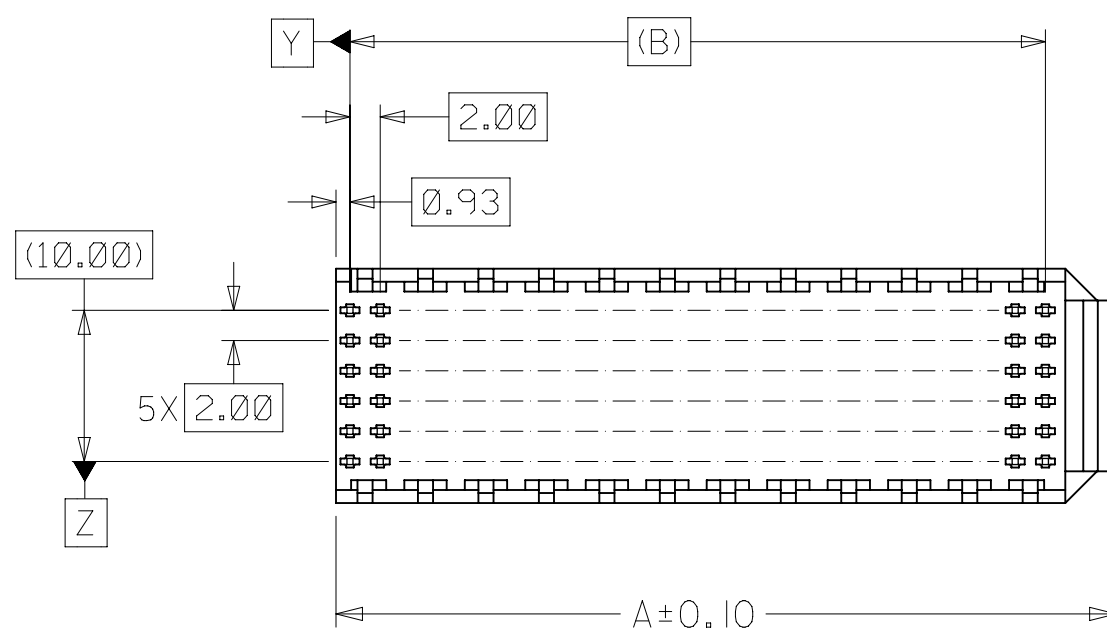


NOTES:

1. MATERIALS: HOUSING-LIQUID CRYSTAL POLYMER (LCP), GLASS-FILLED, UL94V-0, COLOR: BLACK.  
TERMINAL-PHOSPHOR BRONZE
2. FINISH:  
0.75 MICROMETERS MINIMUM SELECTIVE GOLD IN MATING AREA  
2.50 MICROMETERS MINIMUM SELECTIVE TIN IN TAIL AREA  
NICKEL UNDERPLATE OVERALL.
3. THIS PART CONFORMS TO MOLEX PRODUCT SPECIFICATION PS-73780-999.
4. THIS PART CONFORMS TO MOLEX COSMETIC SPECIFICATION PS-45499-002 CLASS C.
5. SEE TABLE ON SHEET 2 FOR PACKAGING SPECIFICATION.
6. PARTS MARKED WITH PART NUMBER AND DATE CODE APPROXIMATELY WHERE SHOWN.



BACKPLANE HOLE PATTERN

PRE-RELEASE  
REFERENCE  
USE ONLY

THIS DRAWING CONTAINS INFORMATION THAT IS PROPRIETARY TO MOLEX ELECTRONIC TECHNOLOGIES, LLC AND SHOULD NOT BE USED WITHOUT WRITTEN PERMISSION											
DIMENSION UNITS <b>mm</b>		SCALE <b>2:1</b>		CURRENT REV DESC: REMOVED OBSOLETE PART NUMBER AS PER PCN#511698.				<b>molex</b>		SALES ASSEMBLY, HDM BACKPLANE STACKING MOD CLOSED END SOLDER	
GENERAL TOLERANCES (UNLESS SPECIFIED)				EC NO: 742551 DRWN: SANTHN 2023/03/30 CHK'D: GGA 2023/05/12 APPR: GGA 2023/05/12							
4 PLACES ±		±		INITIAL REVISION: DRWN: JBINGHAM 1997/04/25 APPR: CBIXLER 1997/04/25				DOCUMENT NUMBER <b>SD-73782-001</b>		DOC TYPE DOC PART REVISION <b>PSD 001 J</b>	
3 PLACES ±		±						MATERIAL NUMBER SEE SHEET 2		CUSTOMER GENERAL MARKET	
2 PLACES ±		0.05 ±		DRAFT WHERE APPLICABLE MUST REMAIN WITHIN DIMENSIONS		THIRD ANGLE PROJECTION		DRAWING <b>C-SIZE</b>		SERIES <b>73782</b>	
1 PLACE ±		0.1 ±									
0 PLACES ±		±									
ANGULAR TOL ±		0.5 °									

DOCUMENT STATUS	P1	RELEASE DATE	2023/05/12	06:17:05
-----------------	----	--------------	------------	----------

