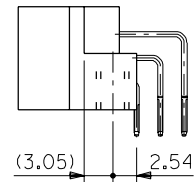
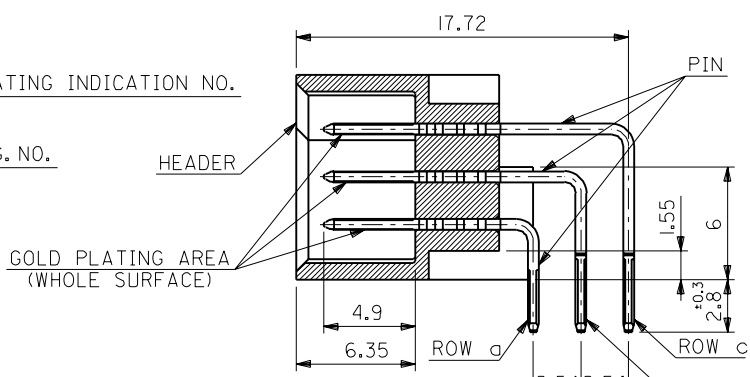
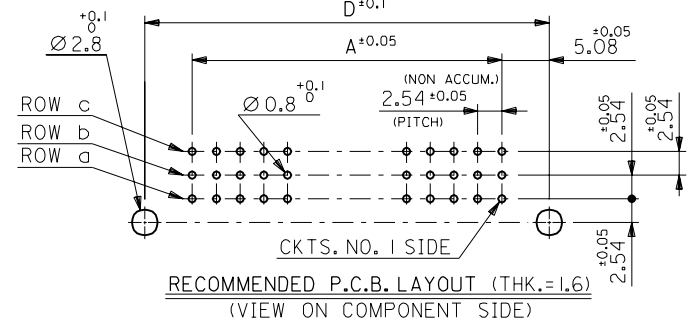
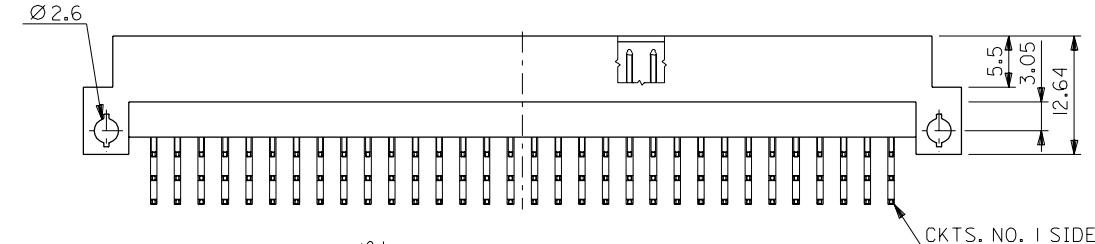
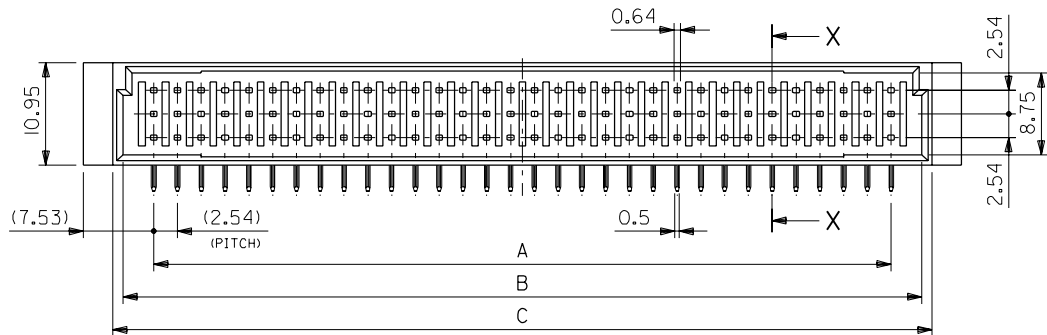
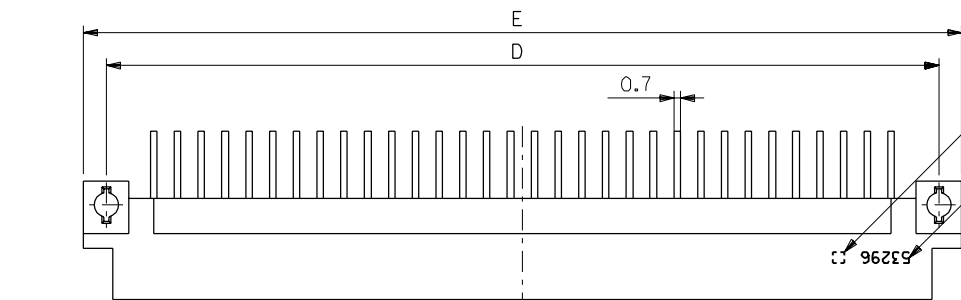


ENG. NO. SD-53296-****

EDP NO.

MM DIMENSIONS IN METRIC DO NOT SCALE DRAWING



SECT. X-X (SCALE: 4-1)

NOTES: 1. MATERIAL
 HEADER: GLASS FILLED P.B.T. (WHITE), UL94V-0
 PIN: BRASS (t=0.58)

2. PLATING & PLATING INDICATION NUMBER

53296-***3	0.76	I.0	I.0	3
53296-***2	0.5			2
53296-***1	0.3			1
53296-***0	0.1			0
ENG. NO.	CONTACT AREA GOLD [µmMIN.]	SOLDER AREA TIN-LEAD [µmMIN.]	UNDER PLATE NICKEL [µmMIN.]	PLATING INDICATION NUMBER

3. MATE WITH : 52302, 52386, 52480, 52483 SERIES.

93.8	88.9	87.5	85.3	78.74	53296-096*	96
53.16	48.26	46.86	44.66	38.1	53296-048*	48
E	D	C	B	A	ENG. NO.	NO. OF CKTS.

角度 ANGLE		±3°			材料 MATERIAL		SEE NOTES		molex MOLEX-JAPAN CO.,LTD. 日本モレックス株式会社	
30以上 OVER		+0.3	A REVISED (J10138)		仕上げ FINISH		SEE NOTES		EDP. NO.	
10以上 30 未満 UNDER		+0.25	O RELEASED (J00981)		適用電線範囲 WIRE RANGE		—H—		ENG. NO.	
10 未満 UNDER		+0.2	記号 LTR		被覆外径 INS. RANGE		—H—		SD-53296-****	
一般公差 GENERAL TOLERANCES		REVISE ONLY ON CAD SYSTEM		DRAWN BY '90/9/10 H.HIRAMOTO		CHK'D BY		TITLE 名称 2.54 B TO B CONN. RIGHT ANGLE HEADER ASS'Y (TRIPLE ROW)		
				DATE 日付		APP'D BY		REV A		
				DR. CHK.		尺度 SCALE 2 - 1				

THIS DRAWING CONTAINS INFORMATION THAT IS PROPRIETARY TO MOLEX(JAPAN) AND SHOULD NOT BE USED WITHOUT WRITTEN PERMISSION 本図面は日本モレックス(株)の所有する情報を含むもので 当社の許可なく複製を禁止する。