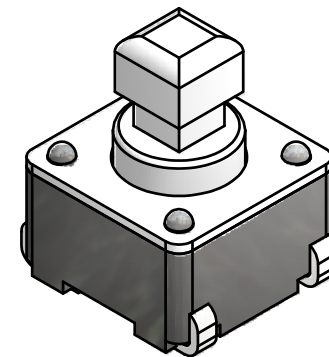
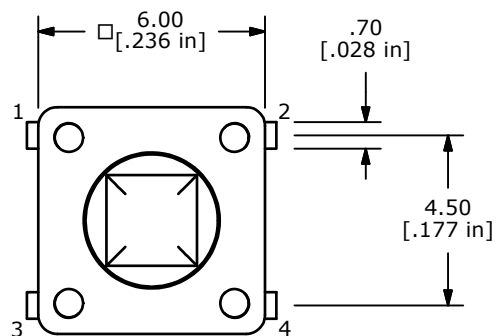
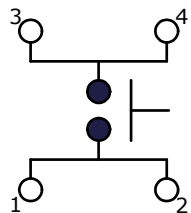


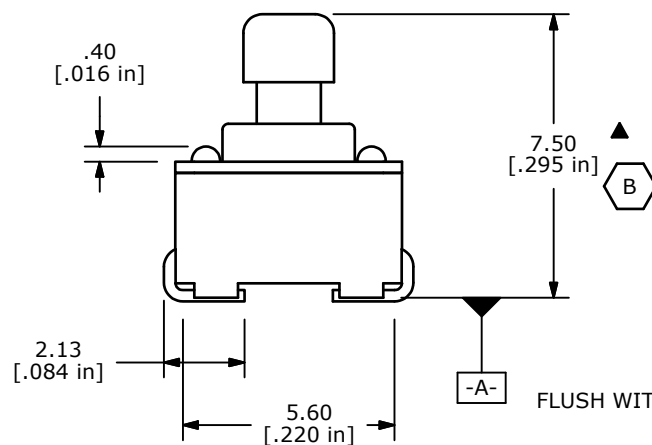
P.C.B. LAYOUT



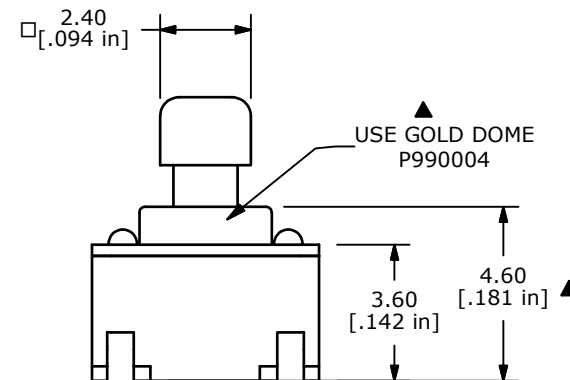
ISOMETRIC



CIRCUIT: SPST



FLUSH WITH SURFACE -A- TO BELOW



NOTES:

1. ALL DIMENSIONS IN MM
2. GENERAL TOLERANCE: X.X=±0.4
X.XX=±0.25
3. TERM. NOS. FOR REFERENCE ONLY.
4. RATING: 50mA @ 12VDC
- ▲5. OPERATING FORCE: 160 ±50 gms
6. TRAVEL: 0.25mm +0.2/ -0.1
7. CONTACT RESISTANCE: 100 MILLI OHMS MAX. (INITIAL)
8. MECHANICAL/ELECTRICAL LIFE: 100,000 CYCLES.
- ▲9. CONTACT MATERIAL: GOLD
10. PACKAGE: TUBE, 90 PER TUBE
11. ▲ DENOTES CRITICAL PARAMETER
12. 2002/95/EC (ROHS) COMPLIANT.
13. OPERATING TEMPERATURE: -40°C TO 80°C



B	19782	CHANGE DIM WAS 7.0	3/22/11	BGL
A	19736	RELEASE FOR PRODUCTION	3/7/11	BGL
REV	PCR NO	DESCRIPTION	DATE	BY

TITLE TL3301TF260RJ				
SCALE	DATE	DR	DWG	REV
5:1	3/7/2011	BGL	P010778	B

THE INFORMATION CONTAINED IN THIS DOCUMENT IS PROPRIETARY TO E-SWITCH AND IS NOT TO BE COPIED OR TRANSFERRED