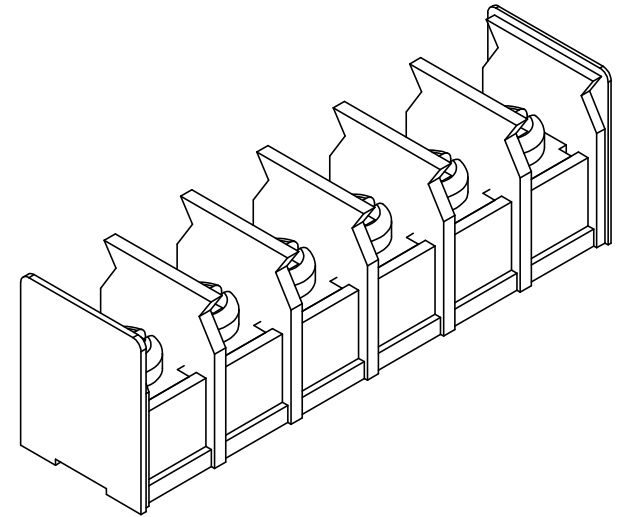
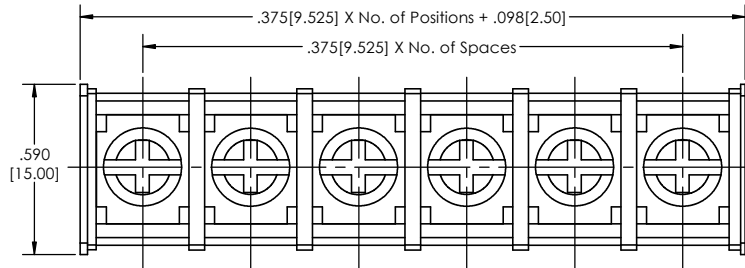
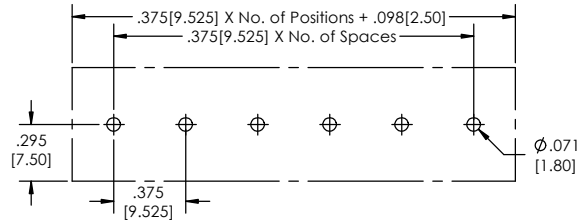
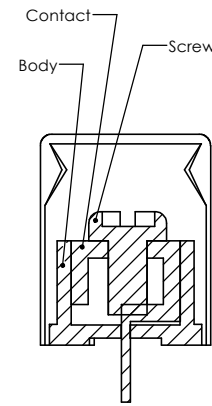


**Recommended P.C. Board Layout**  
SCALE 2:1



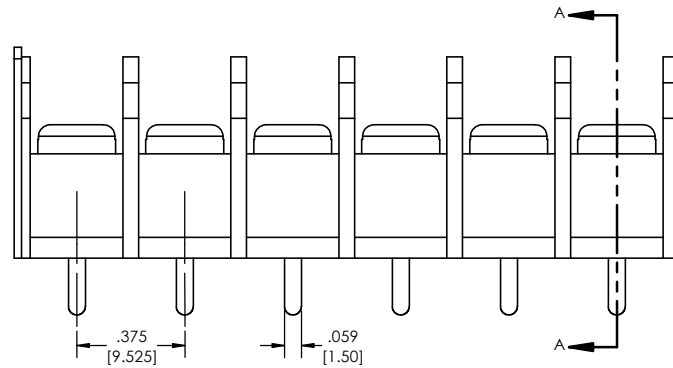
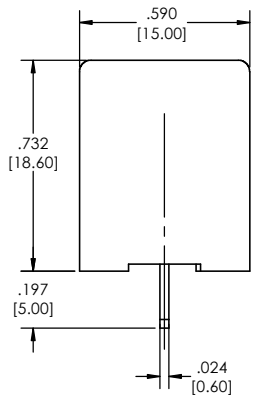
TBB - 01 - **375** - **XX** - **XX** - **LF**  
**(A) (B) (C) (D)**

- A. Pitch  
- 375= .375(9.525) cl
- B. No. of Positions  
- 02-14
- C. Color  
- GR= Green (Standard)  
- BK= Black  
- BL= Blue  
- WH= White  
- GY= Grey  
- OR= Orange  
- YW= Yellow  
- RD= Red  
- BR= Brown
- D. Lead Free
- Specifications:  
Current Rating: 20 Ampere  
Voltage Rating: AC 300V  
Wire Range: 12-22 AWG  
Insulation Resistance: DC 500V 1000M ohms  
Dielectric Withstanding Voltage: AC 2500V/1 minute  
Operation Temperature: -33°C to +105°C  
Max Torque: 6.9 lb-in (7.95kgf. cm)  
Strip Length: .394-.472 (10-12mm)



SECTION A-A

Tails may be clipped to achieve specific dimensions.  
Products cut to specific sizes are uncancelable/ nonreturnable.  
Parts are subject to change without notice.



PROPRIETARY AND CONFIDENTIAL  
THE INFORMATION CONTAINED IN THIS DRAWING IS THE SOLE PROPERTY OF Major League Electronics. ANY REPRODUCTION IN PART OR AS A WHOLE WITHOUT THE WRITTEN PERMISSION OF Major League Electronics IS PROHIBITED.

UNLESS OTHERWISE SPECIFIED:		NAME	DATE
DIMENSIONS ARE IN INCHES		DRAWN	EOW 04/16/14
TOLERANCES:		CHECKED	GWE 04/16/14
ONE DECIMALS ±.100		ENG APPR.	
TWO DECIMAL ±.100		MFG APPR.	
THREE DECIMAL ±.005		ADDRESS:	
FOUR DECIMAL ±.002		2533 Centennial Blvd. Jeffersonville, In 47130	
INTERPRET GEOMETRIC TOLERANCING PER:	MATERIAL	PHONE: 812-670-4174	
FINISH	DO NOT SCALE DRAWING	FAX: 812-670-4175	
NEXT ASSY	USED ON	E-MAIL: mle@mllelectronics.com	
TITLE: TBB-01-375 Series		SIZE	DWG. NO.
SCALE 3:1		REV A	
SHEET 1 OF 1			

