

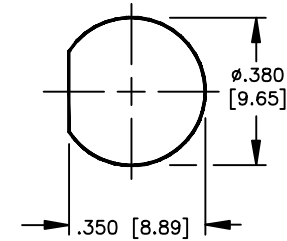
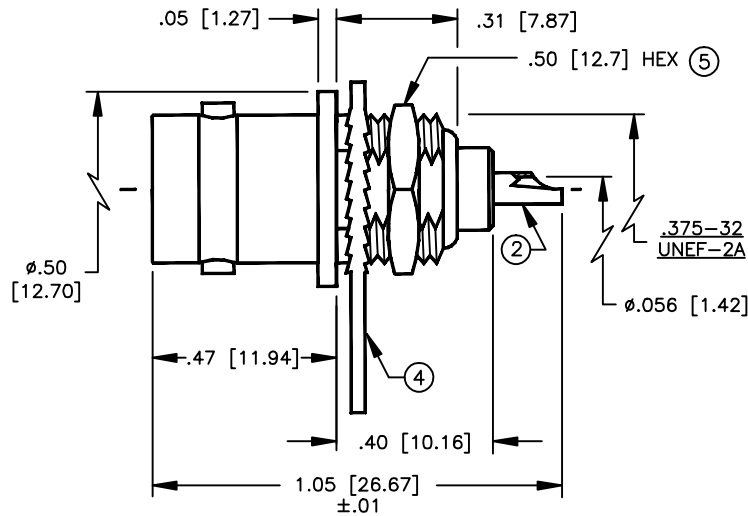
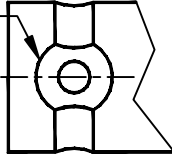
SPECIFICATION CONTROL DRAWING

THIS DRAWING CONTAINS INFORMATION PROPRIETARY TO RF INDUSTRIES, LTD. ANY UNAUTHORIZED USE OF THIS DRAWING IS EXPRESSLY PROHIBITED. ANY VIOLATION IS PUNISHABLE UNDER U.S. COPYRIGHT LAWS.

REV	DESCRIPTION	DWN	DATE	APPROVED
A	ENGINEERING RELEASE	CZS	12/2/98	R. RICE
B	CHANGE TOLERANCES	CZS	1/25/99	R. RICE
C	ADD SPOTFACE NOTE AND INTERNAL DETAIL	KMM	8/5/99	R. RICE

008974

2 X ϕ .197 [5.0] X
.010 [.25] DEEP
SPOTFACE



SUGGESTED MOUNTING CONFIGURATION
MAXIMUM PANEL THICKNESS: .135

SPECIFICATIONS:

IMPEDANCE: 50 OHMS
WORKING VOLTAGE: 500 VRMS @ SEA LEVEL
FREQUENCY RANGE: 0-4 GHz
INTERFACE PER MIL-STD-348A, SECTION 301.2

DIMENSIONS ARE IN INCHES
AND [MILLIMETERS]

UNLESS OTHERWISE NOTED
TOLERANCES ARE:

DECIMALS DIAMETER
.XXX±.008 [.20] .XXX±.001 [.03]
.XX±.016 [.41] .XX±.003 [.08]
ANGLES: ±1°

DRAWN K. MAXWELL	8/5/99
CHECKED	
ORJ DRAWN C. ZUNIGA	12/2/98

*RF*connectors

DIVISION OF RF INDUSTRIES, LTD.

7610 MIRAMAR RD
SAN DIEGO, CA 92126
(619)549-6340
(619)549-6345 FAX

RFB-1116-11

BNC FEMALE BULKHEAD, FRONT MOUNT

ITEM	DESCRIPTION	QTY	MATERIAL	FINISH
5	HEX NUT	1	BRASS	NICKEL
4	LOCKING SOLDER LUG	1	BRASS	NICKEL
3	DIELECTRIC	1	PTFE	NONE
2	CONTACT	1	BeCu	GOLD
1	BODY	1	BRASS	NICKEL

APPROVALS	DATE
-----------	------

SIZE A	CABLE GROUP N/A	DWG NO. 8985	REV C
SCALE: 2:1		CAD FILE 13ARC B	SHEET 1 OF 1