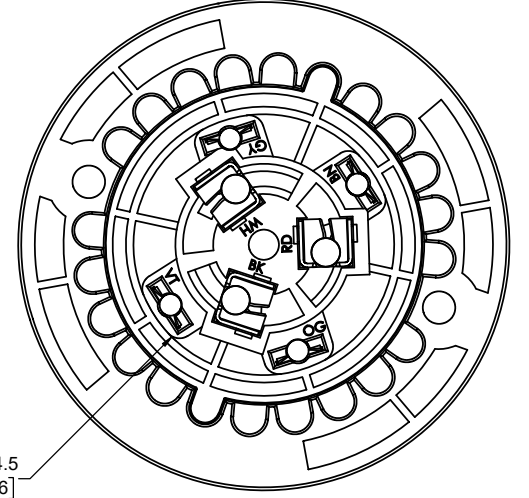
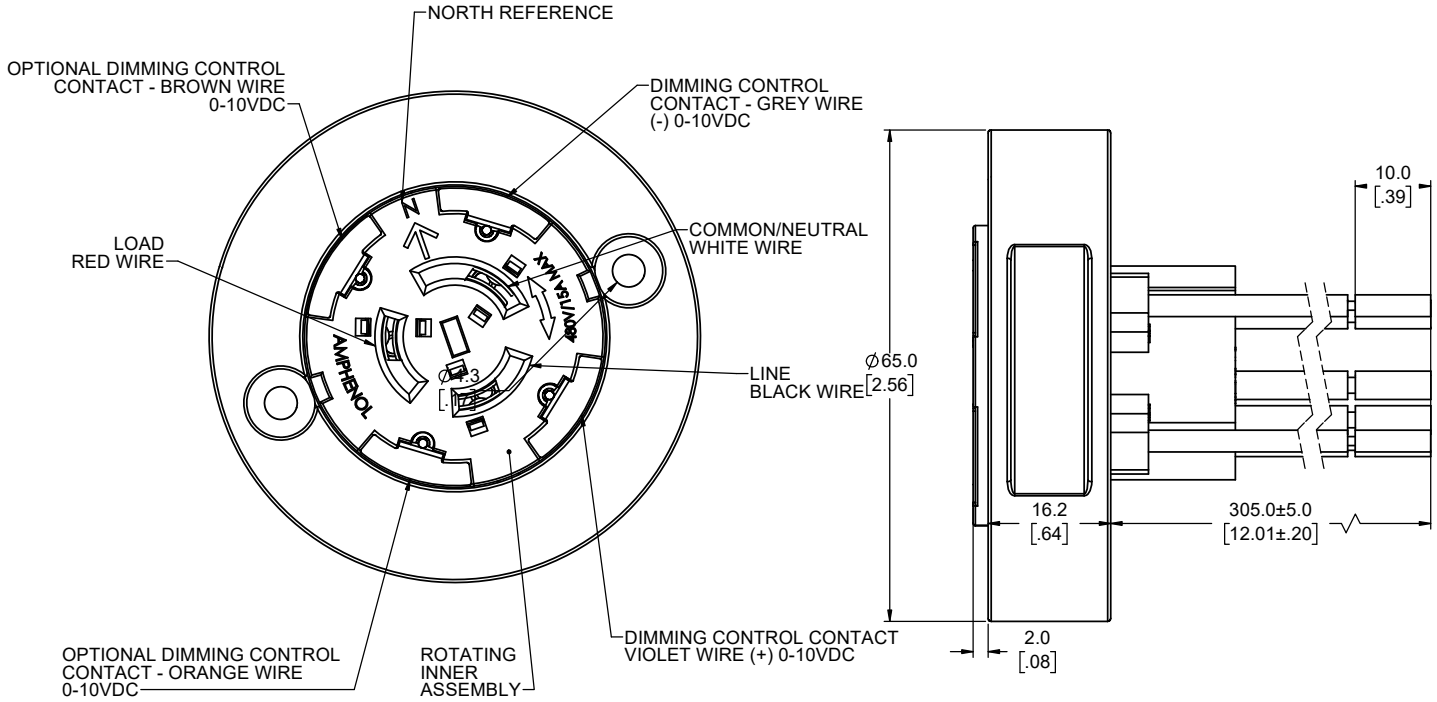
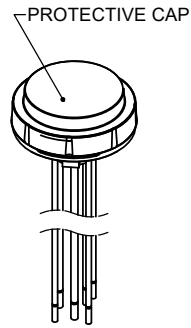
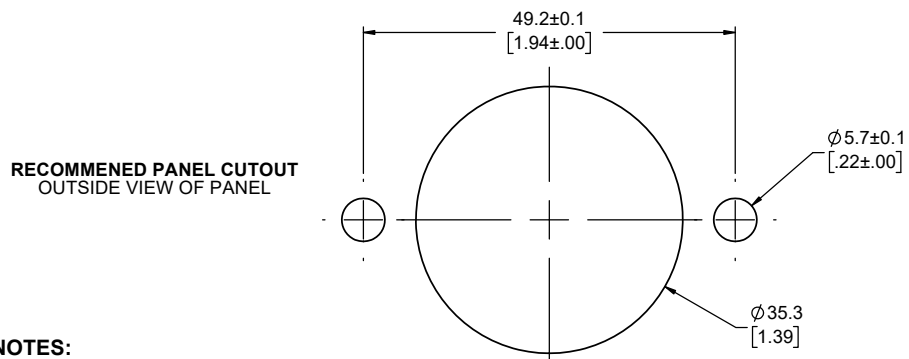


REVISIONS			
REV	DESCRIPTION, ECN, EAR NO.	DATE	APPD
B	ADDED WIRE OPTIONS	SEP23/19	S.M.
C	NOTES UPDATED	MAY27/20	S.M.



PART NUMBER FLA-R4141-30 SHOWN



ORDERING CODE: FLA - R X XX X - XX

SERIES, FLA _____

ROTATING CONNECTOR TYPE _____

NUMBER OF DIMMABLE CONTACTS _____
 0 = NO DIMMABLE CONTACTS
 2 = 2 DIMMABLE CONTACTS
 4 = 4 DIMMABLE CONTACTS

POWER CONTACT WIRE GAUGE _____
 14 = 14 AWG
 16 = 16 AWG

OPERATING TEMPERATURE _____
 1 = -40 TO 105°C - UL AWM STYLE WIRE 1015/10070 - 105°C 600VAC
 2 = -40 TO 150°C - UL AWM STYLE WIRE 3289 - 150°C 600VAC
 3 = -40 TO 125°C - UL AWM STYLE WIRE 3173 - 125°C 600VAC

CONNECTOR WIRE LENGTH _____
 30 = 305mm

NOTES:

- MATERIALS: ALL MATERIALS ARE RoHS COMPLIANT PER EU DIRECTIVE 2011/65/EU & AMENDMENTS.
 - HOUSING: ENGINEERING THERMOPLASTIC, UL FLAMMABILITY RATING 94V-0, COLOUR BLACK
 - POWER CONTACT: COPPER ALLOY, PLATED WITH TIN OVER NICKEL
 - DIMMABLE CONTACT: COPPER ALLOY, PLATED WITH 0.76µm (30µ") GOLD OVER 1.27µm (50µ") NICKEL, DRY LUBRICANT APPLIED TO CONTACT SURFACE AFTER PLATING.
 - POWER CONTACT WIRE: COPPER WITH PVC INSULATION, 14 OR 16 AWG
 - DIMMABLE CONTACT WIRE: COPPER WITH PVC INSULATION, 18 AWG
 - PROTECTIVE CAP: P.E.T. POLYESTER TRANSPARENT ANTI-STATIC
- ELECTRICAL CHARACTERISTICS:
 - HIGH VOLTAGE CURRENT: 15A
 - DIMMABLE CONTROL: 0 - 10V
 - OPERATING VOLTAGE: 480V
- SPECIFICATIONS:
 - ANSI C136-41-2017
 - ANSI C136-10-2010
 - UL 773

PANEL GASKET CAN BE ORDERED SEPARATELY, REFER TO DRAWING P-FLA-2RN-01BP, CONSULT WITH AMPHENOL CANADA FOR OTHER OPTIONS OR SPECIAL REQUEST.

AMPHENOL PART NUMBER FLA-RXXXX-XX



UNLESS SPECIFIED OTHERWISE	DRAWN	I.NELSON	JUN06/19
PRIMARY UNITS MILLIMETERS	CHECKED	S.MUGAN	JUN06/19
SECONDARY UNITS INCHES	M.E. APPD		
REFERENCE IN PARENTHESES	Q.A. APPD		
GENERAL TOLERANCES	DWG APPR.		
1 DECIMAL PLACE	ENG. REL. NO.		
2 DECIMAL PLACES	REF.		
3 DECIMAL PLACES	THIRD ANGLE PROJECTION		
ANGULAR DEGREES	DO NOT SCALE DRAWING		

Amphenol Canada Corp.
Commercial Products

FLA SERIES, DIMMING CONTROL, ROTATING TYPE RECEPTACLE, RoHS COMPLIANT

DWG. NO. **P-FLA-RXXXX-XX** REV **C**

CODE ID NO. 03554 DWG SIZE: X SCALE: 2:1 SHEET 1 OF 1