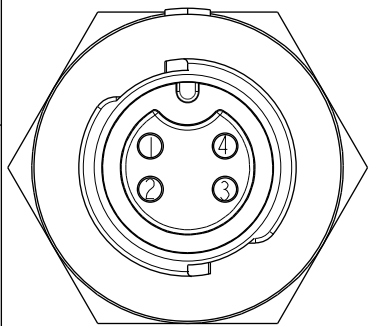
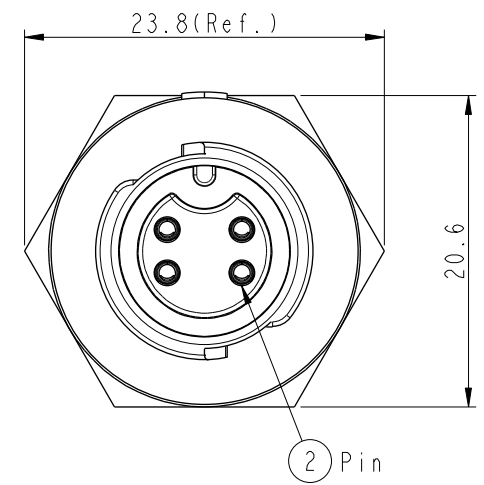
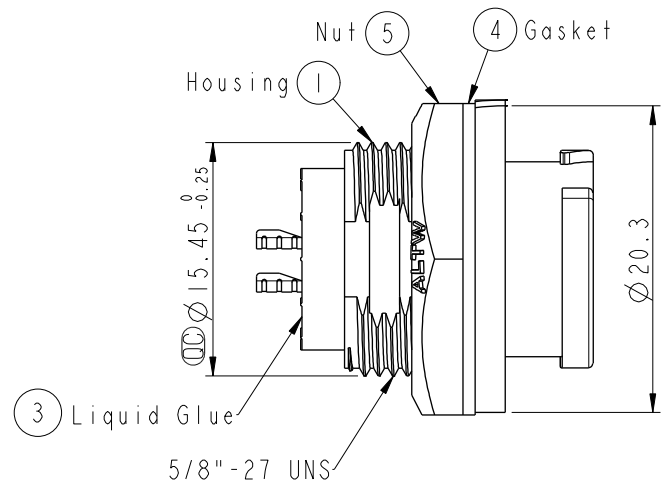
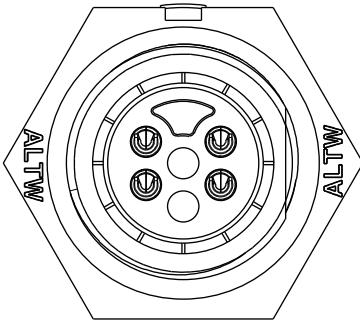
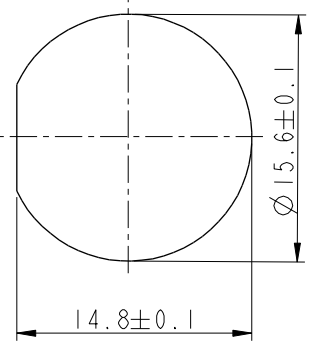


ALTW
 CONFIDENTIAL
 2019-03-19
 R&D DEPT.

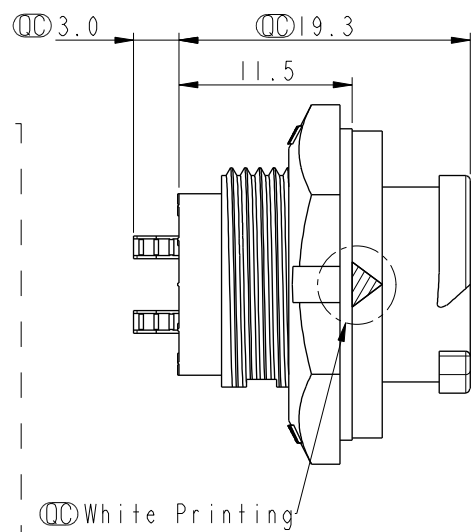
REV.	ECN NO.	DATE	SIGN	DESCRIPTION
B	CI90411	2019/03/19	Vicky	Change Note



Pin Assignments
 Front View



Recommended Panel Cut-out



- Note:
- * ⌀ Important Dimension To Check.
 - * Waterproof Rate: IP68, Unmated. In 1 meter water within 24 hours
 - * Housing: Thermoplastic, Black.
 - * Pin: Copper Alloy, Gold Plated.
 - * Nut: Thermoplastic, Black.
 - * Gasket: Rubber, Gray.
 - * Panel Thickness Max: 4.5mm
 - * Gasket and Nut are packed separately in PE bags.

UNIT:mm
 TOLERANCE
 .X ±0.25

TITLE
 X Lok B-Size
 Receptacle M Conn F 4 Pin

SCALE 2:1 SIZE A4 SHEET 1 OF 1

REV. B WC-REV. A.4 ⌀ : Inspection item

Amphenol LTW
 安費諾亮泰企業股份有限公司

ITEM NO. BD-04RMFS-OC8001	DRAWN BY Vicky	DATE 2019-03-19
DWG NO. BD-04RMFS-OC8001	CHECKED BY Rita	DATE 2019-03-19
CUSTOMER ALTW	APPROVED BY Max	DATE 2019-03-19

THIS DOCUMENT IS SUBJECT TO CHANGE WITHOUT NOTICE. IT IS CONFIDENTIAL AND A PROPERTY OF Amphenol LTW. DISCLOSURE TO THIRD PARTY HAS TO BE AUTHORIZED BY Amphenol LTW.