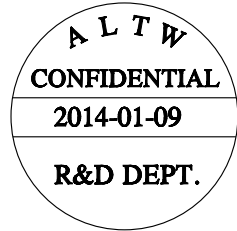
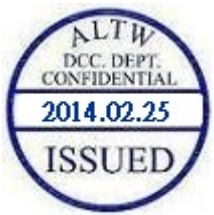
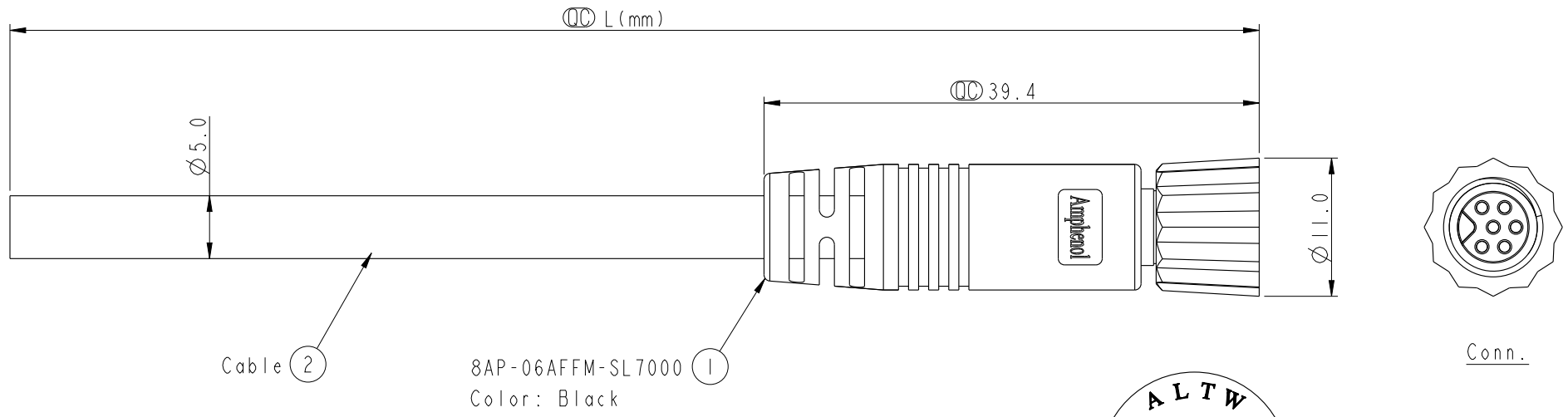


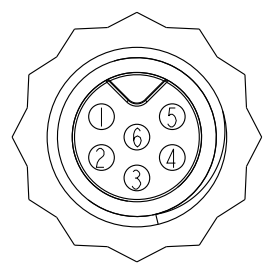
THIS DOCUMENT IS SUBJECT TO CHANGE WITHOUT NOTICE. IT IS CONFIDENTIAL AND A PROPERTY OF Amphenol LTW. DISCLOSURE TO THIRD PARTY HAS TO BE AUTHORIZED BY Amphenol LTW.

| REV. | ECN NO. | DATE | SIGN | DESCRIPTION |
|------|---------|------|------|-------------|
| | | | | |
| | | | | |
| | | | | |



8AP-06AFFM-SL7AXX
 XX: 01~99Meters
 01: 01Meter
 02: 02Meter
 ...
 99: 99Meters
 Cable Length(L): 01~99Meters

- Note:
- * \varnothing Important Dimension.
 - * Waterproof Rate: IP67.
 - * Connector: PU, Black.
 - * Female Pin: Copper Alloy, Gold Plated.
 - * Screw Nut: Nylon+GF, Black.
 - * Cable: UL2464 24AWG*6C+Al/Mylar, PVC Jacket, UV Resistant, OD=5.0, Black.
 - * Cable Length Tolerance:
 - 01M: ±40mm
 - 02~05M: ±60mm
 - 06~10M: ±100mm
 - 11~30M: ±200mm
 - 31~99M: ±500mm



| Pin | Wire Color |
|-----|------------|
| 6 | Green 綠 |
| 5 | Yellow 黃 |
| 4 | Orange 橘 |
| 3 | Red 紅 |
| 2 | Brown 棕 |
| 1 | Black 黑 |

| | | | | | | | | |
|---------------------------------|--------------------------------------|----------------|--------------------------------------|--|---------------------------------|-----------------------------|----------------------|--------------------|
| UNIT:mm TOLERANCE ±0.5 mm | TITLE M8 6Pin Cable F Conn. F Pin | | Amphenol LTW 安費諾亮泰企業股份有限公司 | | ITEM NO | DRAWN BY Mila | DATE 2014-01-09 | |
| | SCALE 2:1 | SIZE A4 | | | SHEET 1 OF 1 | DWG NO 8AP-06AFFM-SL7AXX | CHECKED BY Jimmy | DATE 2014-01-09 |
| | REV. A | WC-REV. A.3 | | | \varnothing : Inspection item | CUSTOMER ALTW | APPROVED BY Jerry | DATE 2014-01-09 |