

CUSTOMER TERMINAL	RoHS	LEAD(Pb)-FREE
Sn96%, Ag4%	Yes	Yes

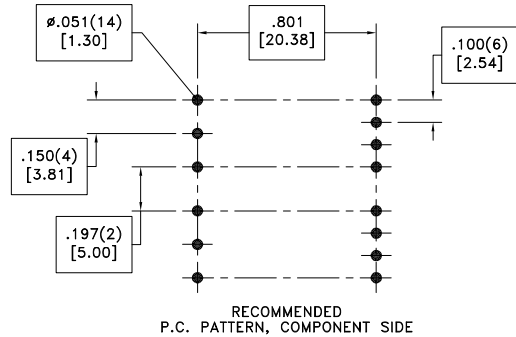
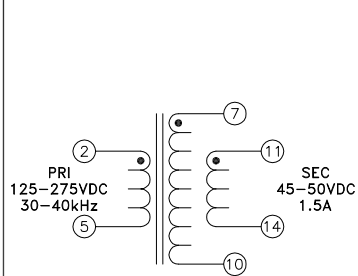
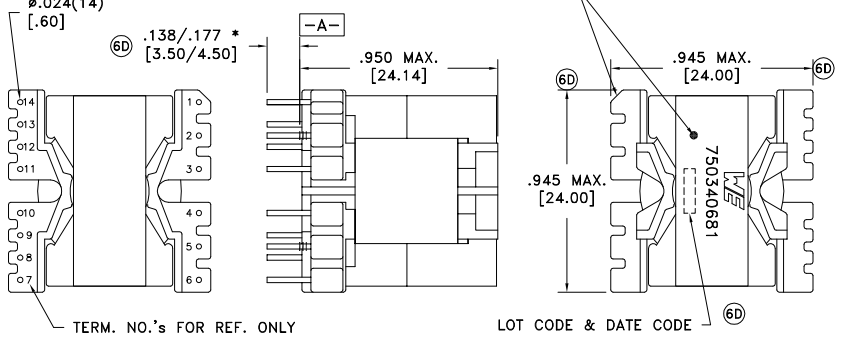
more than you expect



ELECTRICAL SPECIFICATIONS @ 25°C unless otherwise noted:

PARAMETER	TEST CONDITIONS	VALUE
D.C. RESISTANCE	5-2 @20°C	1.0 ohms max.
D.C. RESISTANCE	7-10 tie(7+11, 10+14) @20°C	0.1 ohms max.
INDUCTANCE	2-5 45kHz, 100mVAC, Ls	6mH min.
LEAKAGE INDUCTANCE	2-5 tie(7+11+14+10), 45kHz, 100mVAC, Ls	90-100uH
DIELECTRIC	2-10 tie(7+11), 3750VAC, 1 second	3000VAC, 1 minute
URNS RATIO	(2-5):(7-10)	5:1, ±2%
URNS RATIO	(2-5):(11-14)	5:1, ±2%

PART MUST INSERT FULLY TO SURFACE A IN RECOMMENDED GRID
 * DIMENSION MAY BE EXCEEDED WITH SOLDER ONLY
 DOT/CHAMFER LOCATES TERM. #1



GENERAL SPECIFICATIONS:
 OPERATING TEMPERATURE RANGE: -40°C to +125°C including temp rise.

Wire insulation & RoHS status not affected by wire color.
 Wire insulation color may vary depending on availability.

REV.	DATE	Packaging Specifications		Tolerances unless otherwise specified: Angles: ±1° Fractions: ±1/64 Decimals: ±.005 [.13] Footprint: ±.001 [.03]	DRAWING TITLE		PART NO.
6D	7/15	Method: Tray		This drawing is dual dimensioned. Dimensions in brackets are in millimeters.	TRANSFORMER		750340681
6C	1/12	PKG-0239			eiSos p/n: 750340681		SPECIFICATION SHEET 1 OF 1
6B	9/11	www.we-online.com/midcom					
6A	3/11	SEE REVISION SHEET FOR REVISION LEVEL					