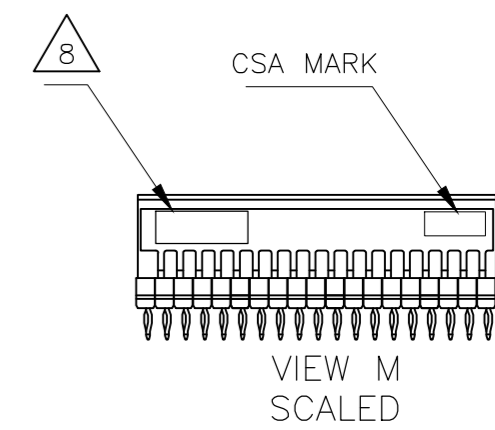
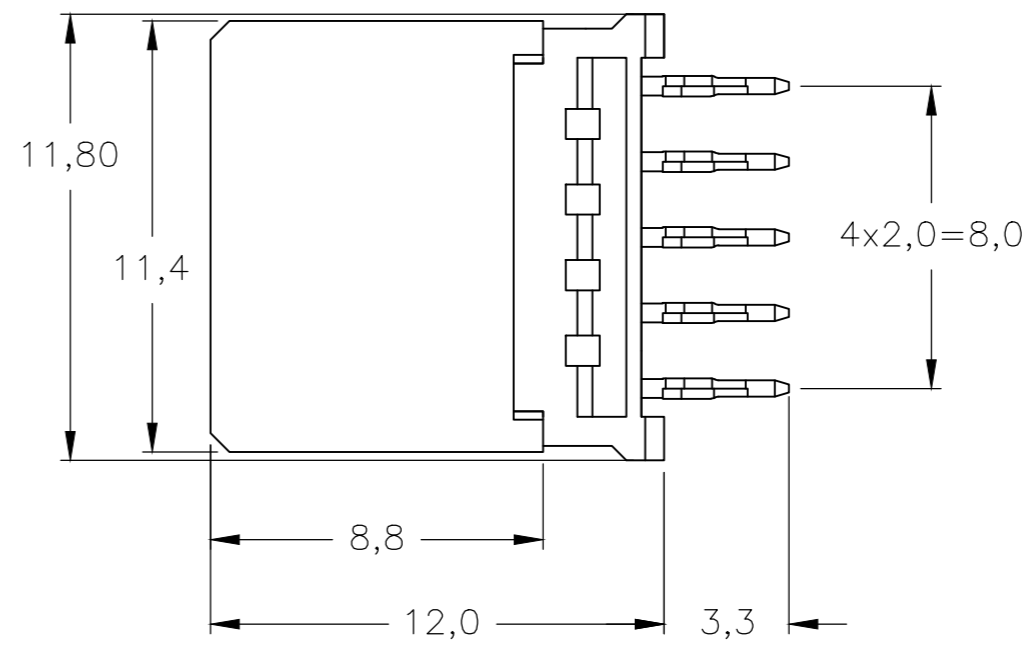
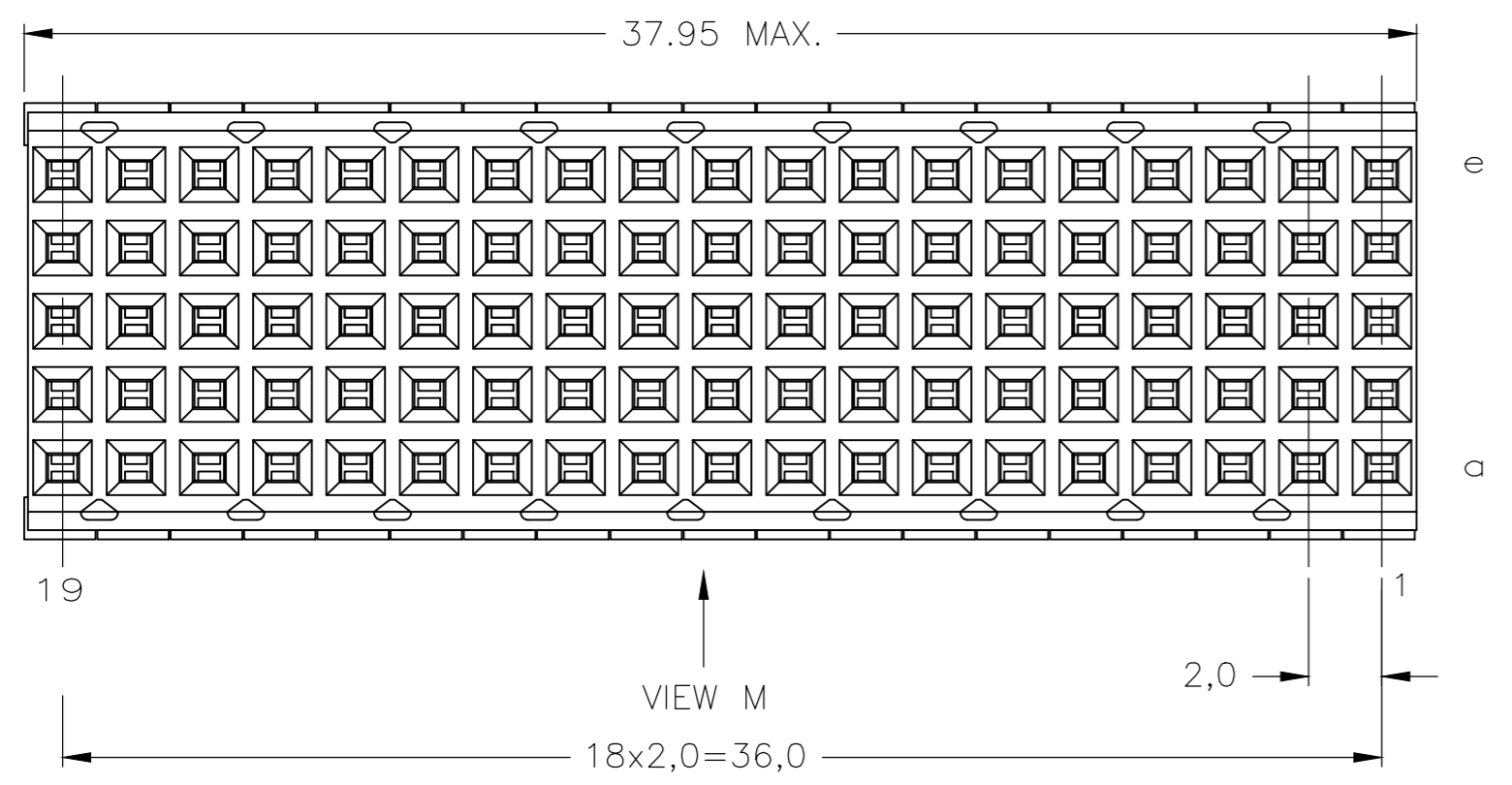
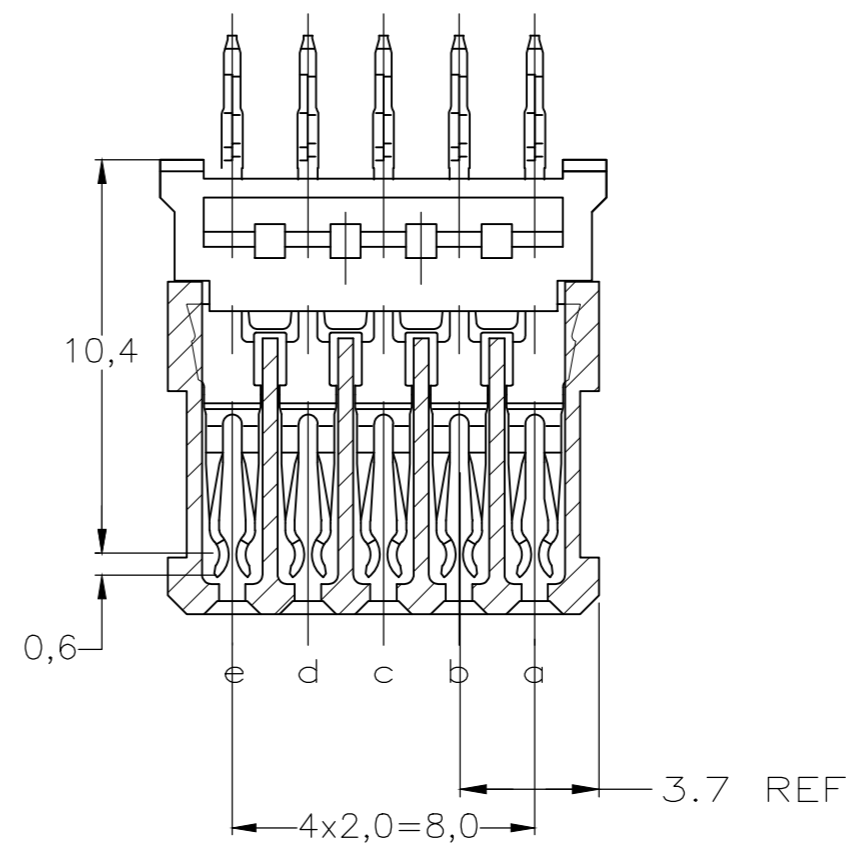
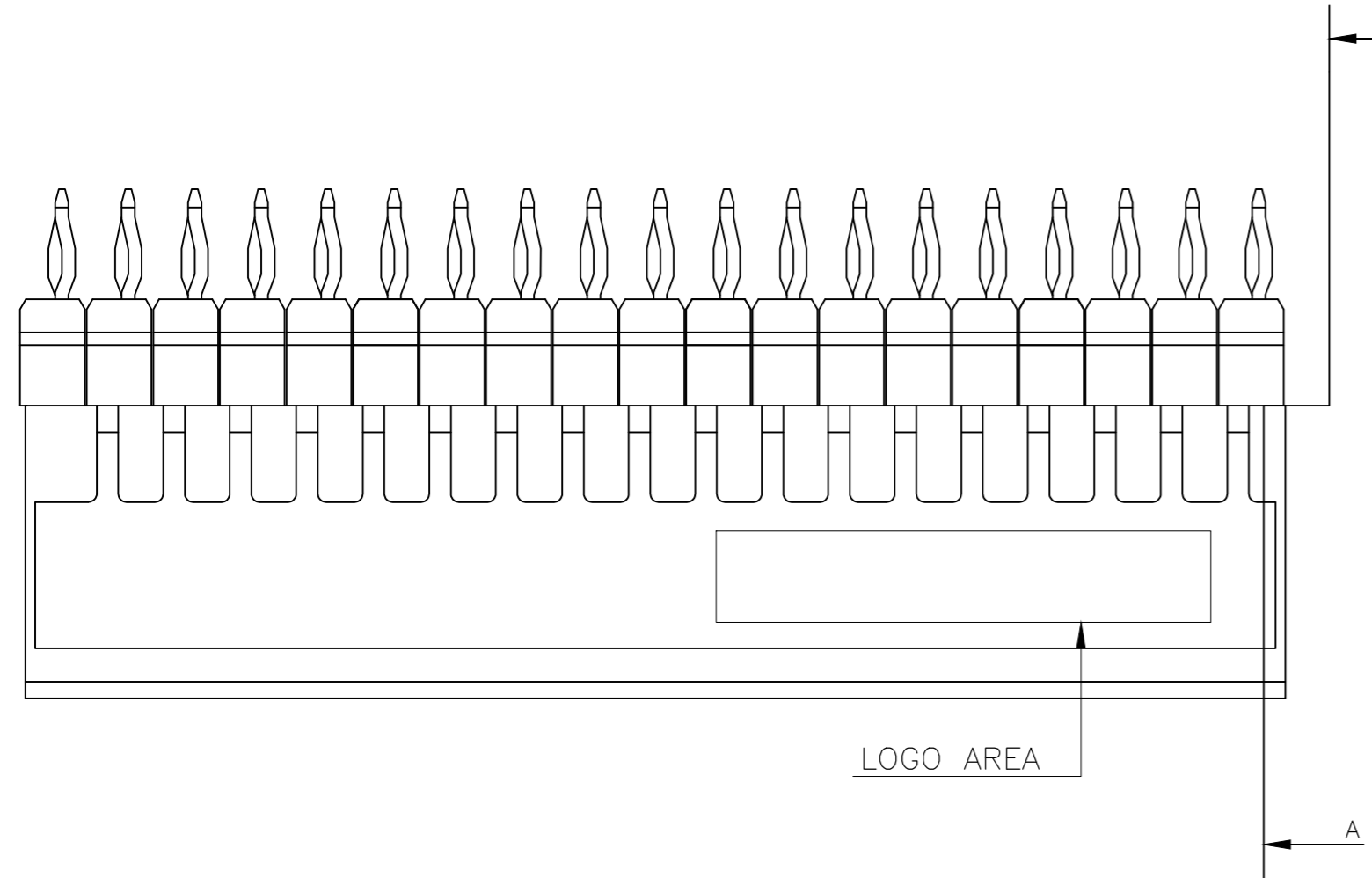
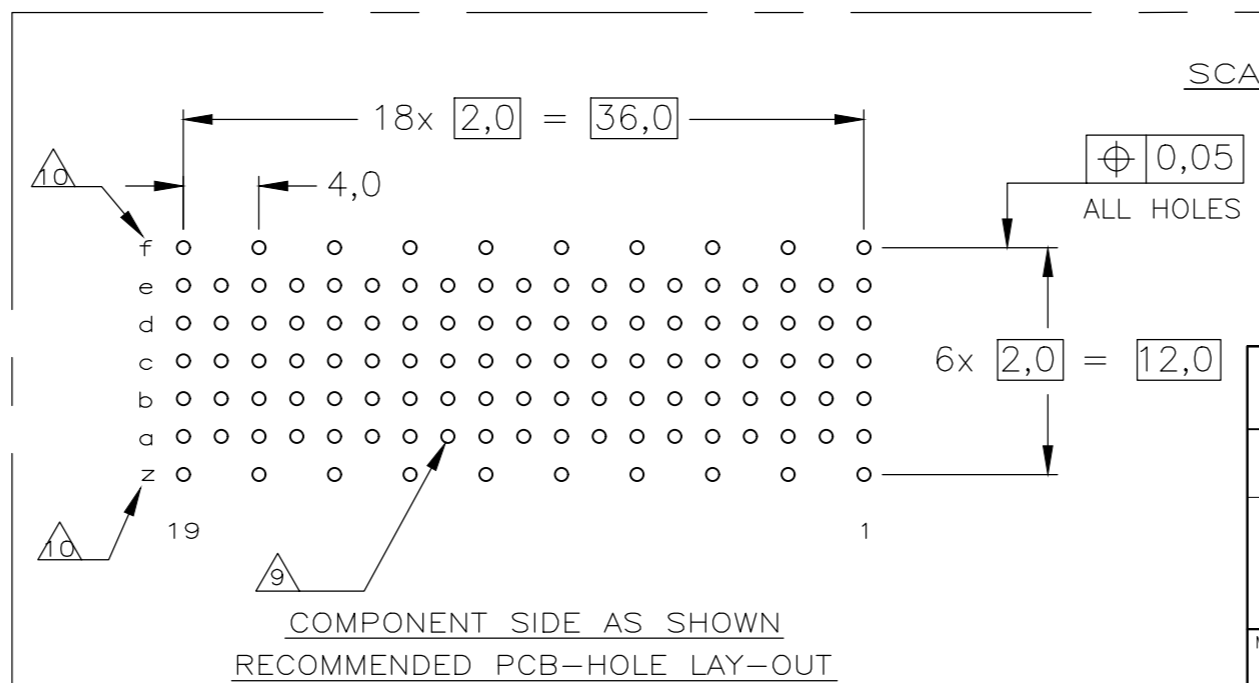


THIS DRAWING IS UNPUBLISHED. RELEASED FOR PUBLICATION
 © COPYRIGHT - By - ALL RIGHTS RESERVED.

REVISIONS					
P	LTR	DESCRIPTION	DATE	DWN	APVD
F		RELEASED PER ECO-19-002730	14MAY2019	A.S	H.L



- NOTES:**
- 1 MATERIAL CONTACT: PHOSPHORBRONZE
MATERIAL HOUSING: GLASSFILLED POLYESTER
UL-RATING 94V0 (GRAY).
 - 2 GENERAL PLATING SPECIFICATION: UNDERPLATING (ENTIRE CONTACT):
1,27µm NICKEL MIN. AND ACTION PIN: 0,5µm TIN MIN.
FOR PLATING OF MATING SURFACES SEE APPLICABLE
SPECIFICATION REFERENCE FOR EACH DASH NUMBER.
 - 3 CONFORMS TO ALL TESTING ACCORDING IEC 61076-4-101
PERFORMANCE LEVEL 2.
 - 4 CONFORMS TO ALL TESTING ACCORDING IEC 61076-4-101
PERFORMANCE LEVEL 1.
 - 5 CONNECTOR TESTED AND QUALIFIED AGAINST TELCORDIA GR-1217-CORE
QUALITY LEVEL III, CENTRAL OFFICE APPLICATIONS.
 - 6 CONNECTOR TESTED AND QUALIFIED AGAINST TELCORDIA GR-1217-CORE
QUALITY LEVEL III, UNCONTROLLED ENVIRONMENT APPLICATIONS.
 - 7 CONNECTOR LUBRICATED WITH TELCORDIA GR-1217-CORE
APPROVED LUBRICANT.
 - 8 CONNECTOR PRINTED WITH PARTNUMBER AND DATECODE.
 - 9 PLATED-THROUGH HOLES AT 2x2mm SQUARE GRID (95 HOLES).
 - 10 HOLES IN ROW f AND z FOR POSSIBLE FUTURE USE OF
GROUND RETURN SHIELD. (SHIELDS NOT YET TOOLED)
 - 11 OBSOLETE PARTS: OBSOLETE CIS STREAMLINING PER D.RENAUD/D.SINISI



P.C.B. HOLE DIM. ACTION PIN
FOR DETAILS SEE APPLICATION SPECIFICATION

THIS DRAWING IS A CONTROLLED DOCUMENT.	DWN 23AUG2004 K.N.KIRAN	23AUG2004
	CHK 27OCT2004 B.MOOIJ	27OCT2004
	APVD 27OCT2004 B.MOOIJ	27OCT2004
	PRODUCT SPEC	
	APPLICATION SPEC	
	108-19082	
	114-19029	
	WEIGHT 0.000000	
	CUSTOMER DRAWING	

FINISH	MATERIAL	PARTNUMBER
△△△	△	1-5352269-9
△△△	△	5352269-9
△△	△	5352269-4
△△	△	5352269-1

TE TE Connectivity

Z-PACK 2mm HM TYPE B
95 POS. 19 COLUMNS VERTICAL FEMALE
CONNECTOR ASSEMBLY

SIZE A2	CAGE CODE 00779	DRAWING NO. C=5352269	RESTRICTED TO -
SCALE 5:1	SHEET 1 of 1	REV F	