

4

3

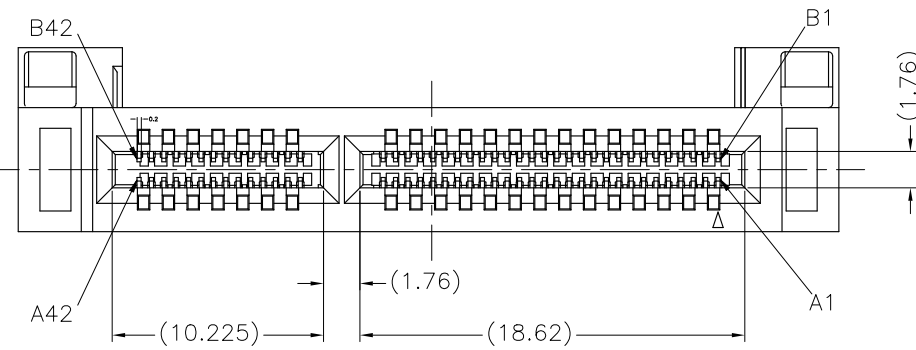
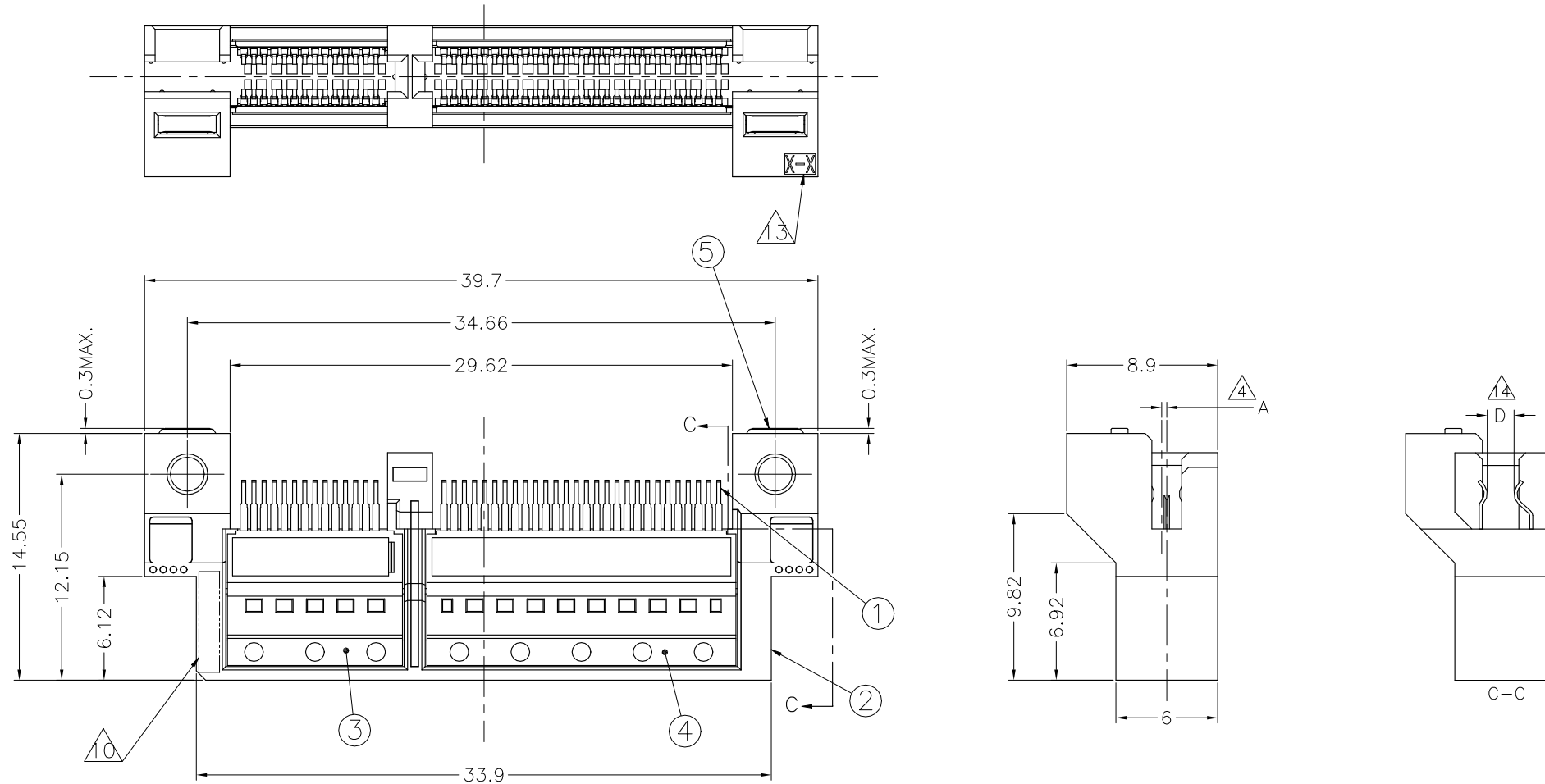
2

1

© - TE Connectivity. All Rights Reserved.

REVISIONS

P	LTR	DESCRIPTION	DATE	DWN	APVD
F		REVISED	14FEB2022	M.T	H.T



PLATING	SCREW INCLUSION	△4 DIM A	△3 DIM B (HOST BOARD THICKNESS)	△4 DIM D	PARTS No.
0.76 μm Au	NO	0	2.55 ±0.23	2.15	4-2340326-3
	YES	0	2.55 ±0.23	2.15	4-2340326-1
	NO	0	2.36 ±0.23	1.97	2-2340326-3
	YES	0	2.36 ±0.23	1.97	2-2340326-1
	YES	0	1.57 ±0.15	1.22	2340326-1

AS SHOWN : -1, 2--1, 2--3, 4--1, 4--3



QTY	NAME	ITEM No.
2	M2 SCREW	
2	M2 NUT PLATE	⑤
2	COVER HOUSING 28P	④
2	COVER HOUSING 14P	③
1	HOUSING	②
84	CONTACT	①

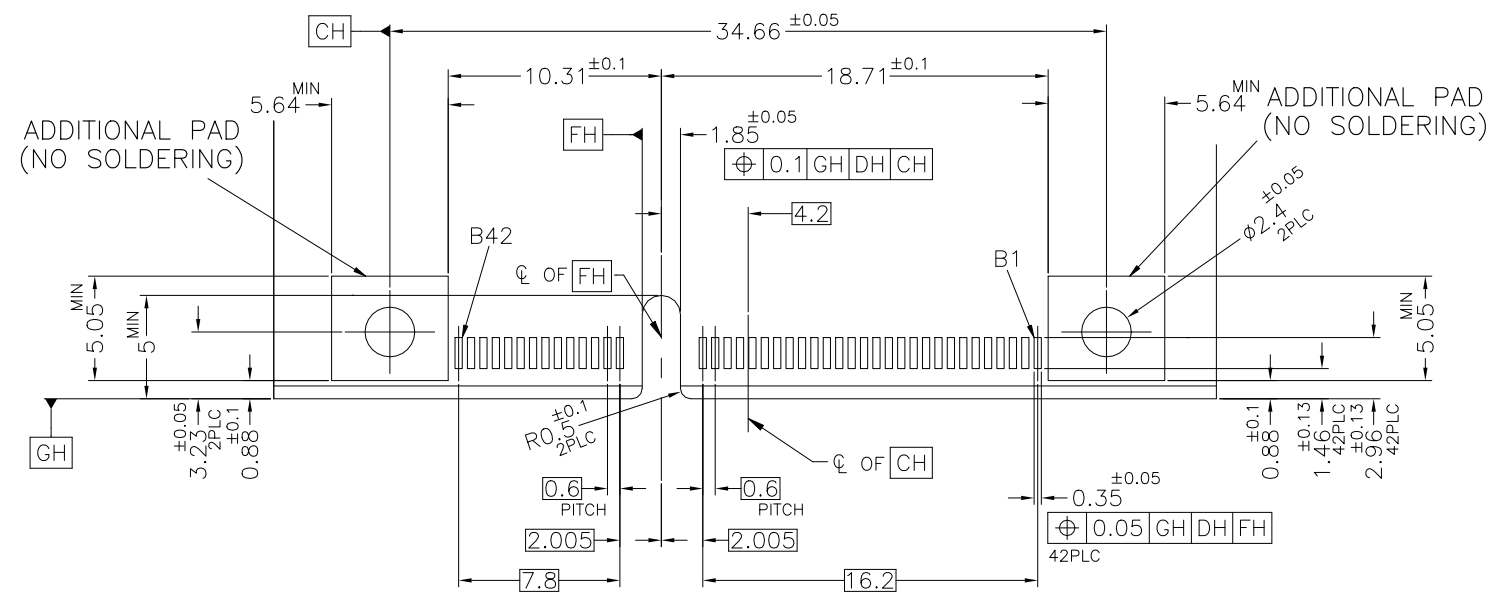
THIS DRAWING IS A CONTROLLED DOCUMENT.

DIMENSIONS: mm	TOLERANCES UNLESS OTHERWISE SPECIFIED: ±0.3
	0-PLG ±
	1-PLG ±
	2-PLG ±
	3-PLG ±
	4-PLG ±
MATERIAL	FINISH

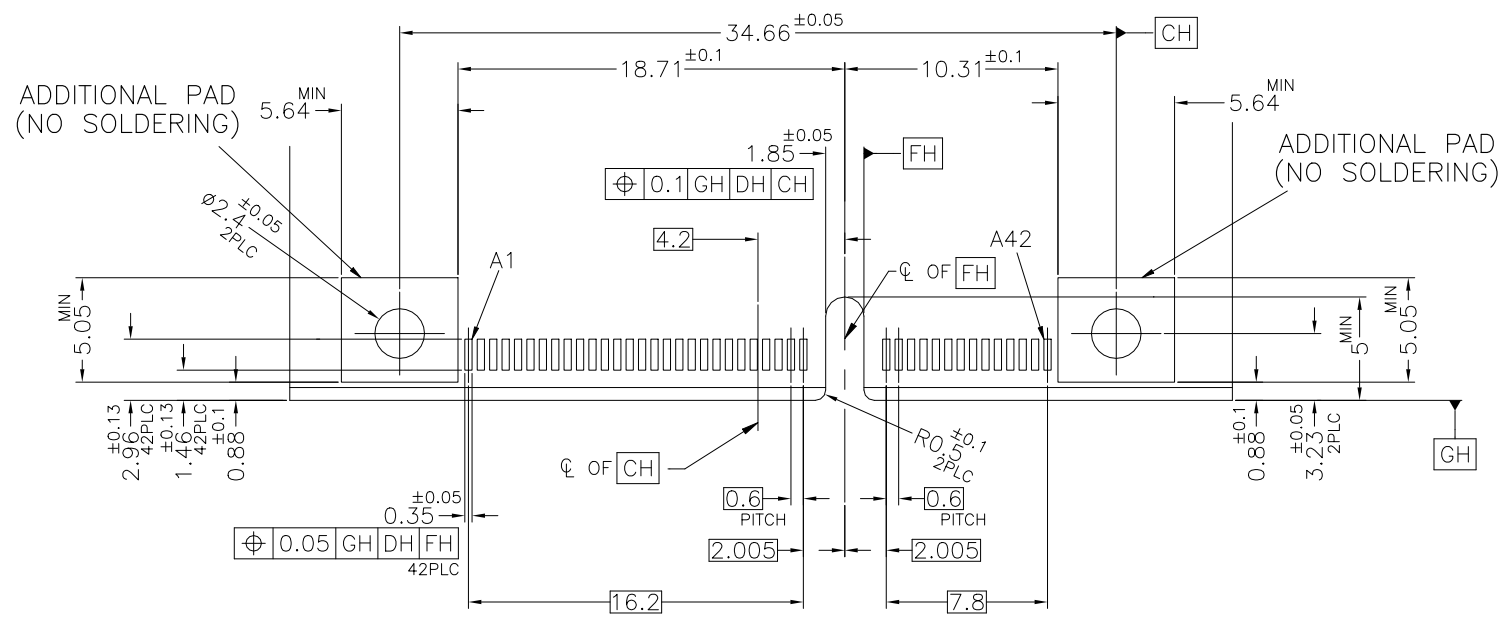
DWN M.TANAKA 30JUL2018		TE Connectivity Ltd.	
CHK J.TSUJI 30JUL2018		84 POSITION SLIVER 2.0 STRADDLE MOUNT	
APVD K.KOBAYASHI 30JUL2018		NAME	
PRODUCT SPEC 108-140197	SIZE A2	CAGE CODE 00779	DRAWING NO. C=2340326
APPLICATION SPEC 114-78033	RESTRICTED TO		
WEIGHT	CUSTOMER DRAWING	SCALE 4:1	SHEET 1 of 4 REV F

REVISIONS

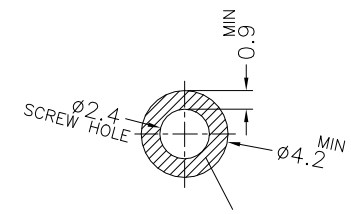
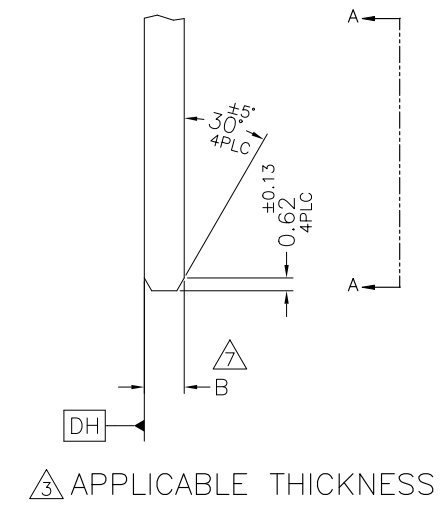
P	LTR	DESCRIPTION	DATE	DWN	APVD
-	-	SEE SHEET 1	-	-	-



REFERENCE HOST BOARD LAYOUT



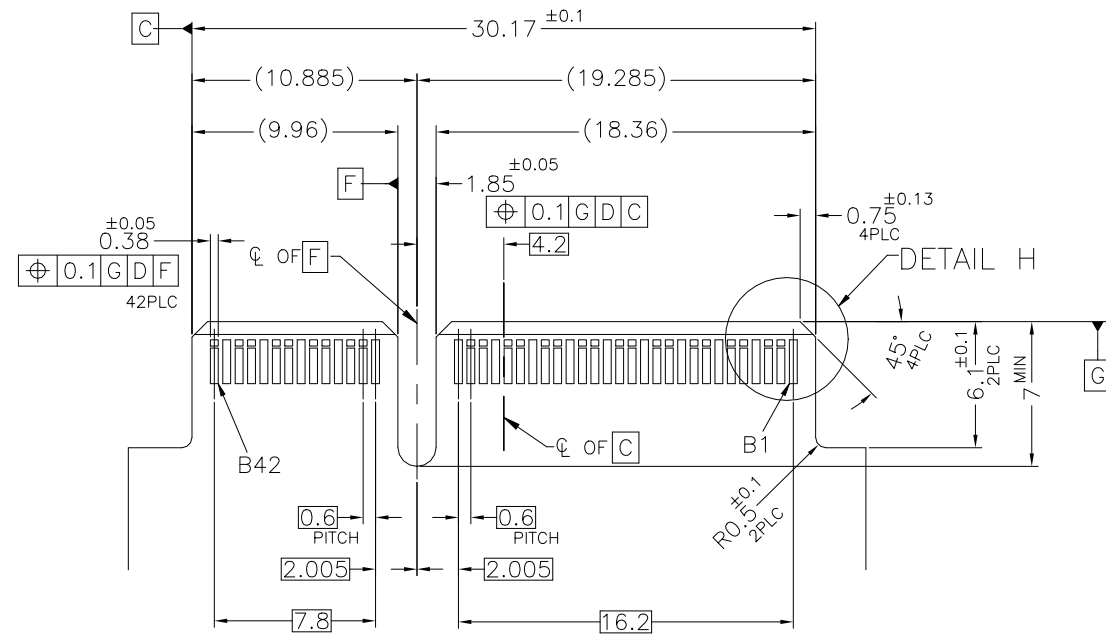
VIEW A-A



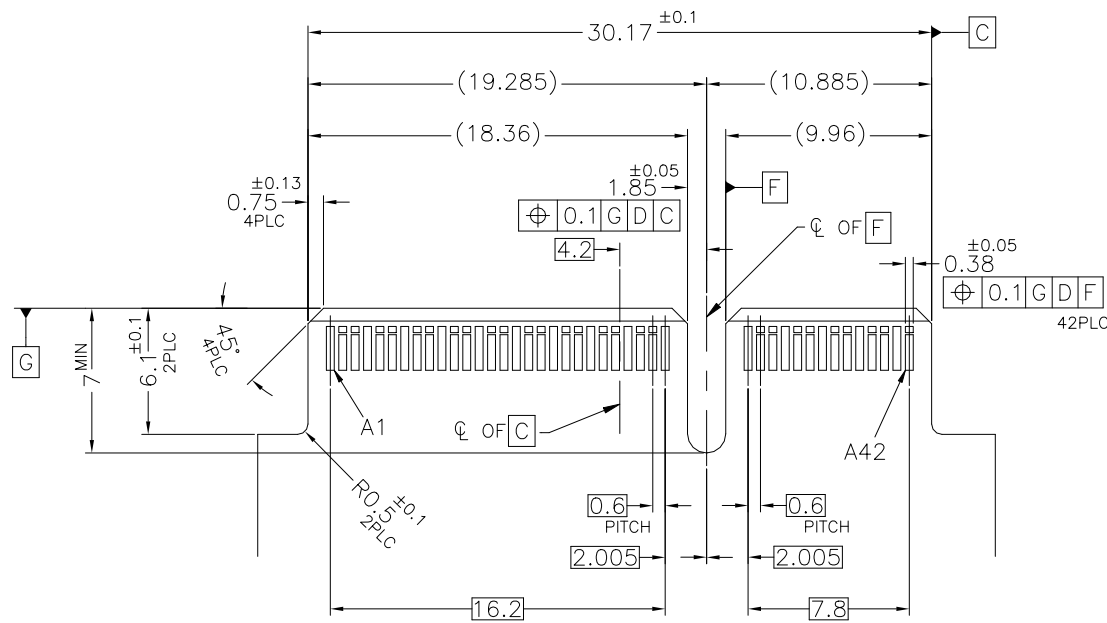
TRACE KEEP OUT AREA (SPPLIED TO INNER LAYERS AROUND BOTH SCREW HOLES)

THIS DRAWING IS A CONTROLLED DOCUMENT.		DWN	TE Connectivity Ltd.	
DIMENSIONS: mm		CHK	NAME	
TOLERANCES UNLESS OTHERWISE SPECIFIED: ±0.3		APVD	84 POSITION SLIVER 2.0 STRADDLE MOUNT	
Ø-PLC ±		PRODUCT SPEC	SIZE	CAGE CODE
+PLC ±		APPLICATION SPEC	A2	00779
2-PLC ±		WEIGHT	DRAWING NO. C=2340326	
3-PLC ±		CUSTOMER DRAWING	SCALE	SHEET
4-PLC ±			4:1	2 of 4
ANGLES ±				REV F
FINISH				

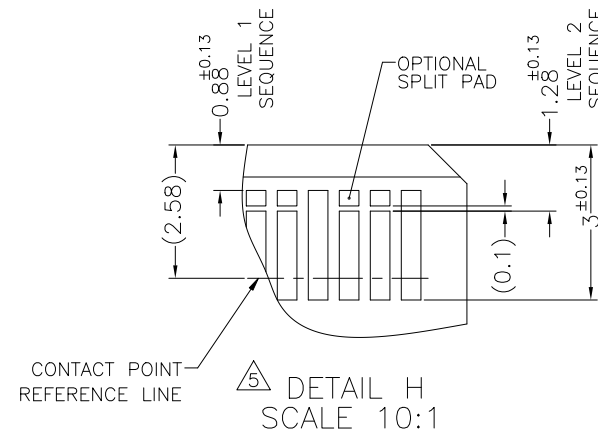
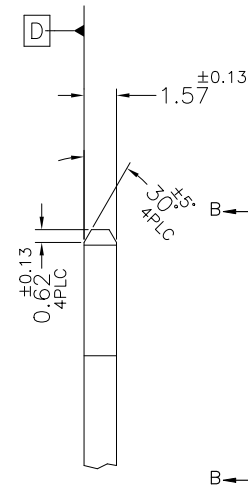
REVISIONS					
P	LTR	DESCRIPTION	DATE	DWN	APVD
-	-	SEE SHEET 1	-	-	-



REFERENCE AIC BOARD LAYOUT



VIEW B-B



NOTE

- 1 HOUSING AND COVER: LCP, UL94-V0, BLACK.  
CONTACTS: COPPER ALLOY.
- 2 GOLD PLATED ON CONTACT AREA.  
TIN PLATE ON SOLDER TAIL AREA.
- 3 APPLICABLE HOST BOARD THICKNESS
- 4 OFFSET AMOUNT BETWEEN AIC BOARD AND  
HOST BOARD CENTER LINE.
- 5 SEE MSA SPECIFICATION FOR ADDITIONAL PADDLE  
CARD LAYOUTS COMPATIBLE WITH THIS RECEPTACLE  
AND FOR OPTIONAL SPLIT CONTACT PAD LAYOUTS  
FOR THE PADDLE CARD. SPECIFICATION PINOUT  
MAY ALSO DESIGNATE PAD SEQUENCE DIFFERENT  
FROM ILLUSTRATION.
- 6 POSITIONS DESIGNATED AS "SIGNAL" ARE  
RECOMMENDED LOCATIONS FOR HIGH SPEED  
DIFFERENTIAL PAIR SIGNALING. THESE LOCATIONS  
MAY ALSO BE USED FOR SUPPORTING SIDEBAND  
SIGNALS OR OTHER UTILITY PURPOSES. POSITIONS  
DESIGNATED AS "GROUND" ARE REQUIRED WHEN  
SUPPORTING HIGH SPEED DIFFERENTIAL SIGNALS.  
THESE LOCATIONS MAY ALSO BE USED FOR SIDEBAND  
SIGNALS OR OTHER UTILITY PURPOSES.
- 7 CONTROLLED ACROSS PADS.
- 8 THIS LAYOUT IS ADOPTED IN SFF-TA-1002
- 9 SCREW IS ENCLOSED BY SEPARATE PACKING.  
SCREW SIZE: M2  
SCREW LENGTH(REF): 6  
HEAD SIZE(REF): ø3.5, 1.3HEIGHT
- 10 DATE CODE MARKING.
- 11 CONNECTOR MUST BE FIXED ON PCB BY SCREW  
AFTER SOLDERING.
- 12 ALL CHAMFERED EDGES AND EDGE OF PADS  
SHALL BE FREE OF BURRS.
- 13 HOUSING ID MARK
- 14 CONTACT TO CONTACT GAP

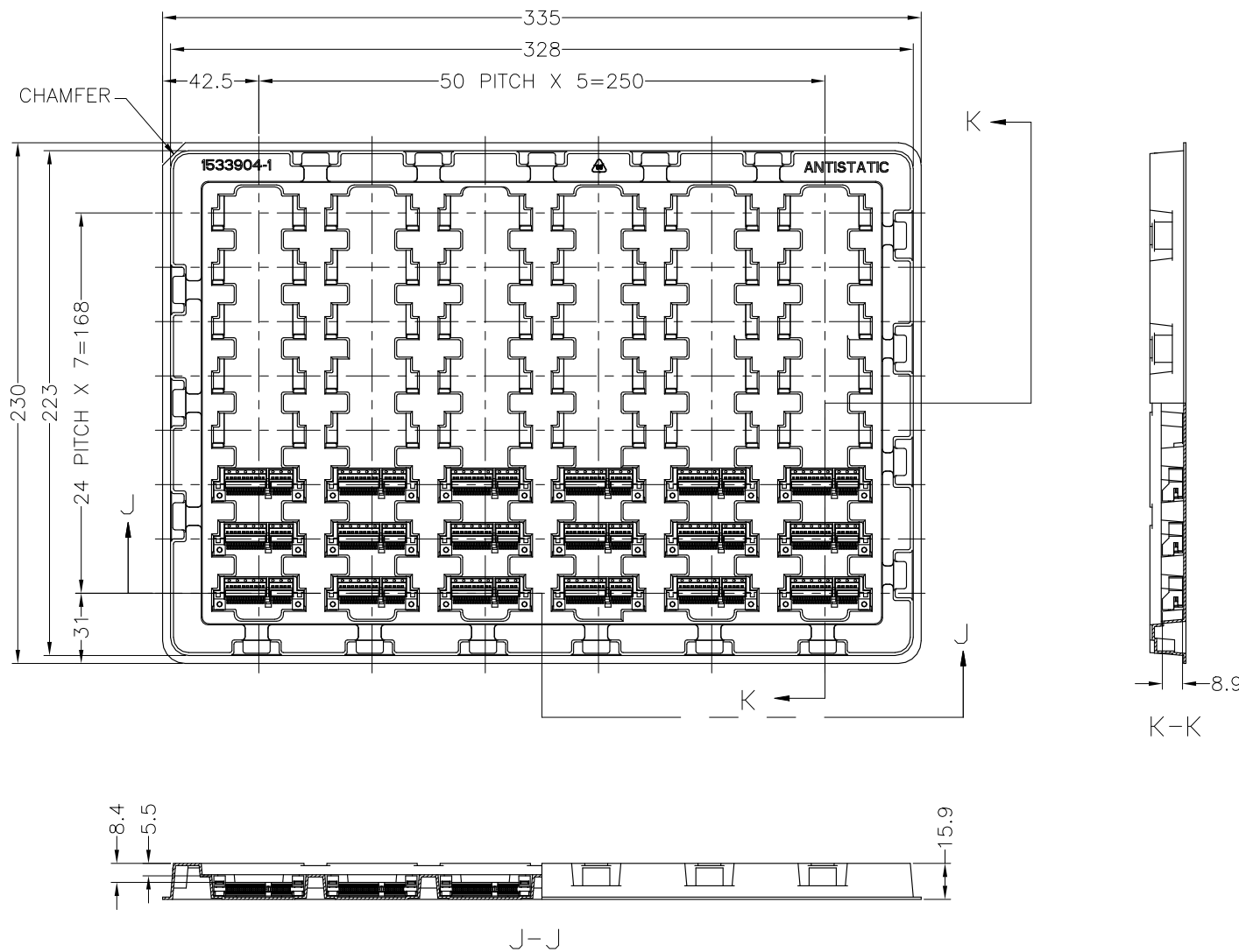
THIS DRAWING IS A CONTROLLED DOCUMENT.		DWN	TE Connectivity Ltd.		
DIMENSIONS: mm		CHK	NAME		
TOLERANCES UNLESS OTHERWISE SPECIFIED: ±0.3		APVD	84 POSITION SLIVER 2.0 STRADDLE MOUNT		
0-PLG ±		PRODUCT SPEC	SIZE	CAGE CODE	DRAWING NO
1-PLG ±		APPLICATION SPEC	A2	00779	C=2340326
2-PLG ±		WEIGHT	RESTRICTED TO		
3-PLG ±		CUSTOMER DRAWING	SCALE 4:1 SHEET 3 of 4 REV F		
4-PLG ±					
ANGLES ±					
FINISH					

REVISIONS					
P	LTR	DESCRIPTION	DATE	DWN	APVD
-	-	SEE SHEET 1	-	-	-

### CONNECTOR CONTACT IDENTIFICATION $\triangle_5$ $\triangle_6$

CONTACT NUMBER	SIDE A	SIDE B
1	GROUND	GROUND
2	SIGNAL	SIGNAL
3	SIGNAL	SIGNAL
4	GROUND	GROUND
5	SIGNAL	SIGNAL
6	SIGNAL	SIGNAL
7	GROUND	GROUND
8	SIGNAL	SIGNAL
9	SIGNAL	SIGNAL
10	GROUND	GROUND
11	SIGNAL	SIGNAL
12	SIGNAL	SIGNAL
13	GROUND	GROUND
14	SIGNAL	SIGNAL
15	SIGNAL	SIGNAL
16	GROUND	GROUND
17	SIGNAL	SIGNAL
18	SIGNAL	SIGNAL
19	GROUND	GROUND
20	SIGNAL	SIGNAL
21	SIGNAL	SIGNAL
22	GROUND	GROUND
23	SIGNAL	SIGNAL
24	SIGNAL	SIGNAL
25	GROUND	GROUND
26	SIGNAL	SIGNAL
27	SIGNAL	SIGNAL
28	GROUND	GROUND

CONTACT NUMBER	SIDE A	SIDE B
29	GROUND	GROUND
30	SIGNAL	SIGNAL
31	SIGNAL	SIGNAL
32	GROUND	GROUND
33	SIGNAL	SIGNAL
34	SIGNAL	SIGNAL
35	GROUND	GROUND
36	SIGNAL	SIGNAL
37	SIGNAL	SIGNAL
38	GROUND	GROUND
39	SIGNAL	SIGNAL
40	SIGNAL	SIGNAL
41	GROUND	GROUND
42	GROUND	GROUND



SOFT TRAY PACKAGING: -1, 2--1, 2--3, 4--1, 4--3

1. MATERIAL: HIPS, COLOR: NATURAL
2. QTY. : 8 X 6 = 48 POCKETS PER TRAY
3. TOLERANCES ON TRAY DIMENSIONS ARE REFERENCE

THIS DRAWING IS A CONTROLLED DOCUMENT.		DWN	TE Connectivity Ltd.		
DIMENSIONS: mm		CHK	NAME		
TOLERANCES UNLESS OTHERWISE SPECIFIED:		APVD	84 POSITION SLIVER 2.0 STRADDLE MOUNT		
0-PLG ±		PRODUCT SPEC	SIZE	CAGE CODE	DRAWING NO
1-PLG ±		APPLICATION SPEC	A2	00779	C=2340326
2-PLG ±		WEIGHT	RESTRICTED TO		
3-PLG ±		CUSTOMER DRAWING	SCALE	SHEET	REV
4-PLG ±			NTS	4 of 4	F
ANGLES ±					
FINISH					