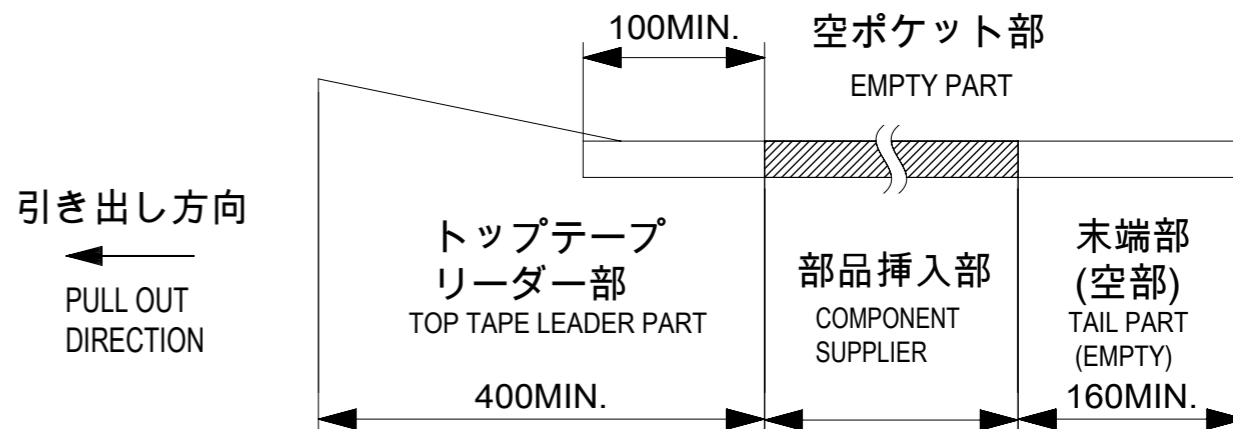


NOTES

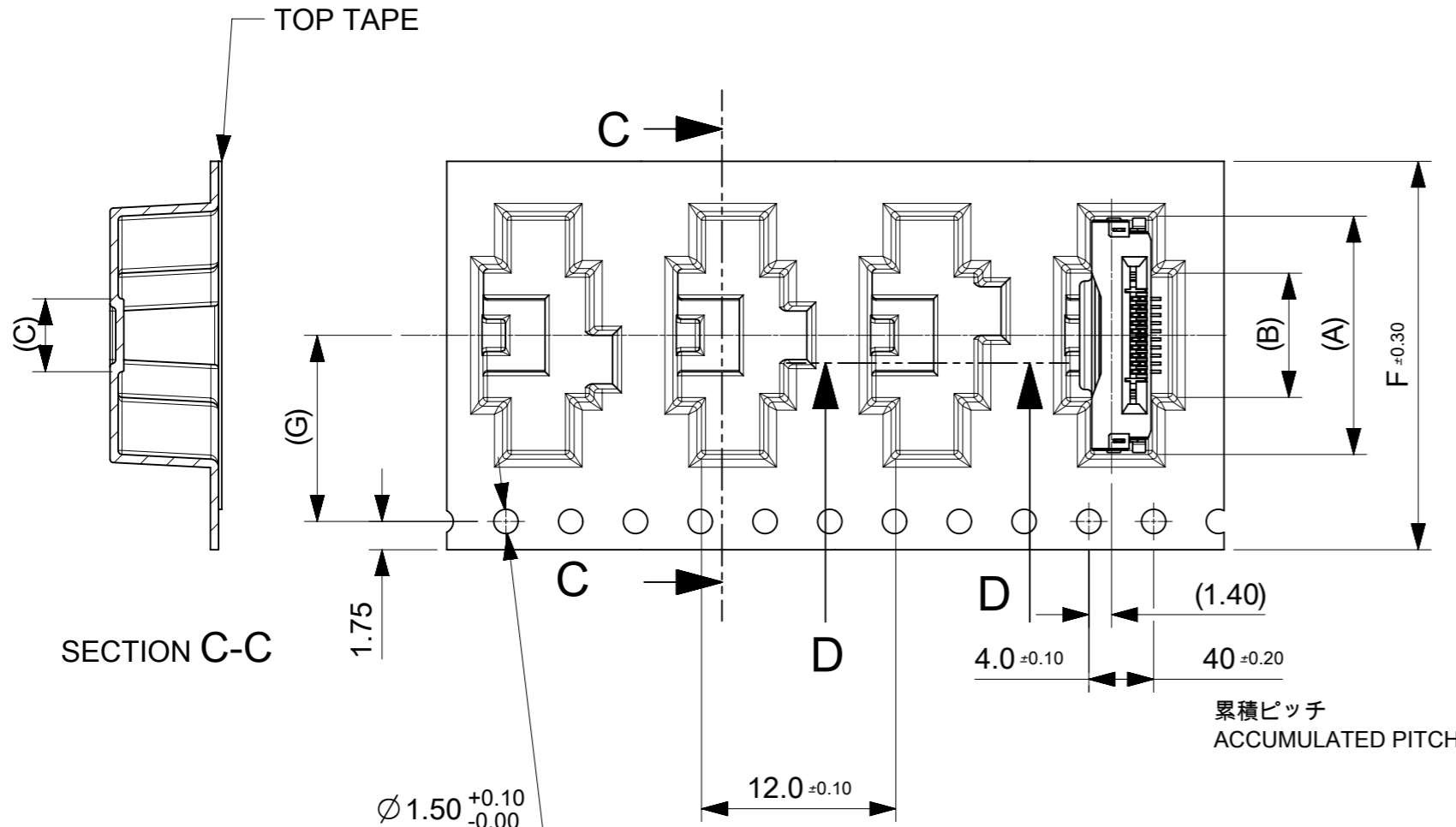
- 梱包数量 : 1200個 / リール  
NUMBER OF CONNECTORS : 1200 PCS/REEL.
- リードテープ長さ  
LEAD TAPE LENGTH



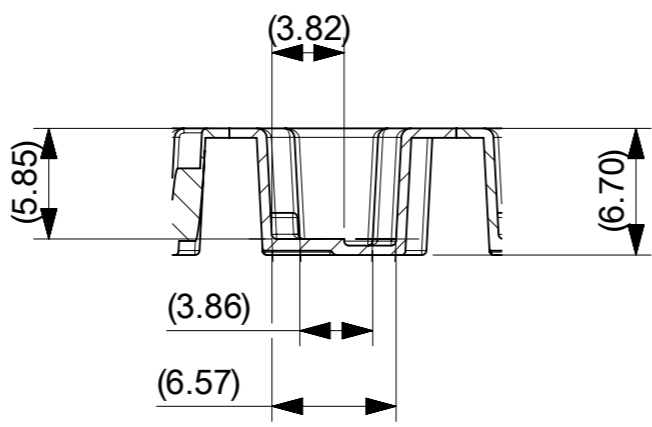
- カバーテープの剥離強度については、IEC60286-3に準拠。  
TOP TAPE PEEL FORCE IS DEFINED BY IEC 60286-3.
- 製品詳細寸法については、図面 2004851100を参照下さい。  
FOR DIMENSIONS OF PRODUCT, REFER TO 2004851100
- 材料 MATERIAL  
キャリアテープ : ポリスチレン  
CARRIER TAPE : POLYSTYRENE  
トップテープ : ポリエチレンテレフタレート、ポリエチレン  
TOP TAPE : POLYETHYLENE TEREPHTHALATE, POLYETHYLENE  
リール : ポリスチレン<リサイクル材を含む>  
REEL: POLYSTYRENE RECYCLED MATERIAL CONTAINED
- ELV及びRoHS適合品 ELV AND RoHS COMPLIANT.

THIS DRAWING CONTAINS INFORMATION THAT IS PROPRIETARY TO MOLEX ELECTRONIC TECHNOLOGIES, LLC AND SHOULD NOT BE USED WITHOUT WRITTEN PERMISSION		CURRENT REV DESC:		<b>molex</b>		
DIMENSION UNITS	SCALE					
mm	NTS			EMB PKG ONE-TOUCH ST HT		
GENERAL TOLERANCES (UNLESS SPECIFIED)				PRODUCT CUSTOMER DRAWING		
ANGULAR TOL	± 1.0 °			DOCUMENT NUMBER		
4 PLACES	± 0.1	EC NO: 648126		2004850100		
3 PLACES	± 0.1	DRWN: TYAMANE		PSD		
2 PLACES	± 0.1	CHK'D: YMATSUMOTO		000		
1 PLACE	± 0.1	APPR: SHOSHIKAWA		B		
0 PLACES	± 0.1	INITIAL REVISION:		REVISION		
DRAFT WHERE APPLICABLE MUST REMAIN WITHIN DIMENSIONS		THIRD ANGLE PROJECTION	DRAWING	SERIES	MATERIAL NUMBER	CUSTOMER
			A3-SIZE	200485	SEE TABLE	GENERAL
						SHEET NUMBER
						1 OF 3

引き出し方向  
PULL OUT  
DIRECTION



累積ピッチ  
ACCUMULATED PITCH



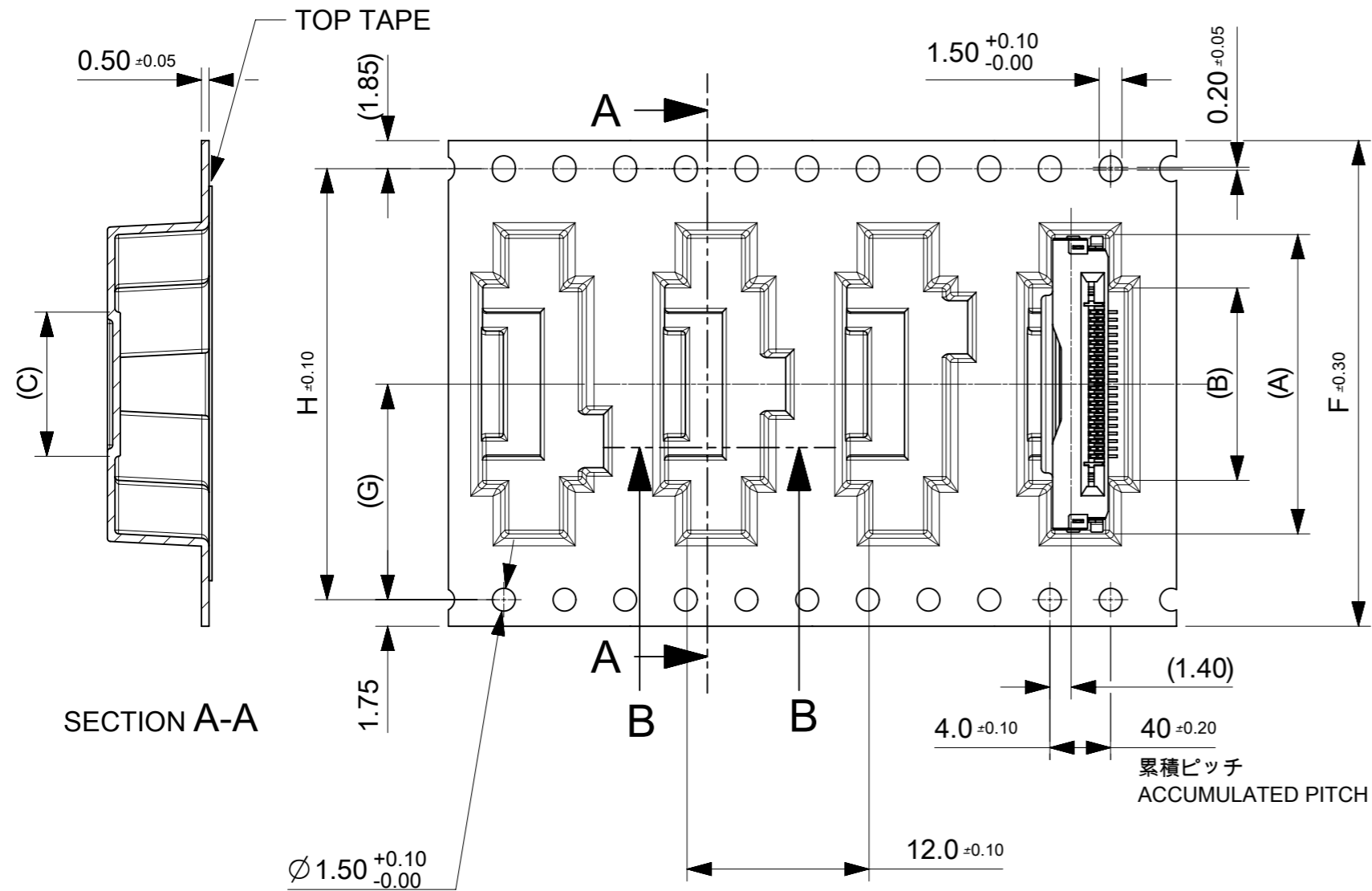
SECTION D-D

11.5	24	29.4	25.4	4.5	7.65	14.7	2004850110	10
G	F	E	D	C	B	A	EMBOSSED PACKAGE	Ckt
							オーダー番号 ORDER NO.	

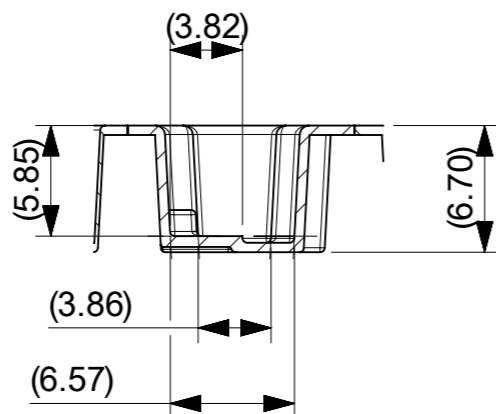
THIS DRAWING CONTAINS INFORMATION THAT IS PROPRIETARY TO MOLEX ELECTRONIC TECHNOLOGIES, LLC AND SHOULD NOT BE USED WITHOUT WRITTEN PERMISSION									
DIMENSION UNITS		SCALE		CURRENT REV DESC:					
mm		NTS		<p><b>molex</b></p> <p>EMB PKG ONE-TOUCH ST HT</p> <p>PRODUCT CUSTOMER DRAWING</p> <p>DOCUMENT NUMBER: 2004850100   DOC TYPE: PSD   DOC PART: 000   REVISION: B</p>					
GENERAL TOLERANCES (UNLESS SPECIFIED)									
ANGULAR TOL ± 1.0 °									
4 PLACES ± 0.1									
3 PLACES ± 0.1									
2 PLACES ± 0.1									
1 PLACE ± 0.1									
0 PLACES ± 0.1				INITIAL REVISION:		SERIES		MATERIAL NUMBER	
DRWN: TYAMANE		2020/10/15		A3-SIZE		200485		SEE TABLE	
DRWN: TYAMANE		2020/10/30		DRAWING		CUSTOMER		SHEET NUMBER	
APPR: SHOSHIKAWA		2020/11/02		THIRD ANGLE PROJECTION		GENERAL		2 OF 3	
APPR: SHOSHIKAWA		2018/10/04		DRAFT WHERE APPLICABLE MUST REMAIN WITHIN DIMENSIONS					

CONNECTOR NO. 20048511\*\*

引き出し方向  
PULL OUT  
DIRECTION



SECTION A-A



SECTION B-B

CONNECTOR NO. 20048511\*\*

68.4	34.2	72	78.1	73.5	39.5	42.65	49.7	2004850180	80
					34.5	37.65	44.7	2004850170	70
52.4	26.2	56	61.4	75.4	29.5	32.65	39.7	2004850160	60
					25	28.15	35.2	2004850151	51
					24.5	27.65	34.7	2004850150	50
40.4	20.2	44	49.4	45.4	19.5	22.65	29.7	2004850140	40
					17	20.15	27.2	2004850135	35
					14.5	17.65	24.7	2004850130	30
28.4	14.2	32	37.4	33.4	9.5	12.65	19.7	2004850120	20
H	G	F	E	D	C	B	A	EMBOSSED PACKAGE	Ckt
								オーダー番号 ORDER NO.	

THIS DRAWING CONTAINS INFORMATION THAT IS PROPRIETARY TO MOLEX ELECTRONIC TECHNOLOGIES, LLC AND SHOULD NOT BE USED WITHOUT WRITTEN PERMISSION

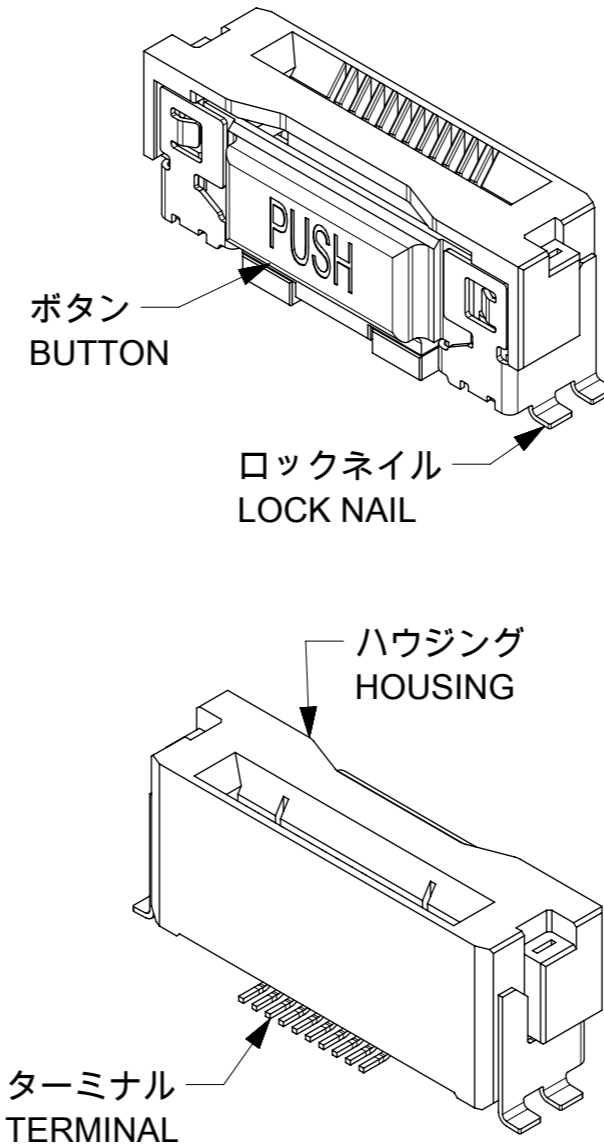
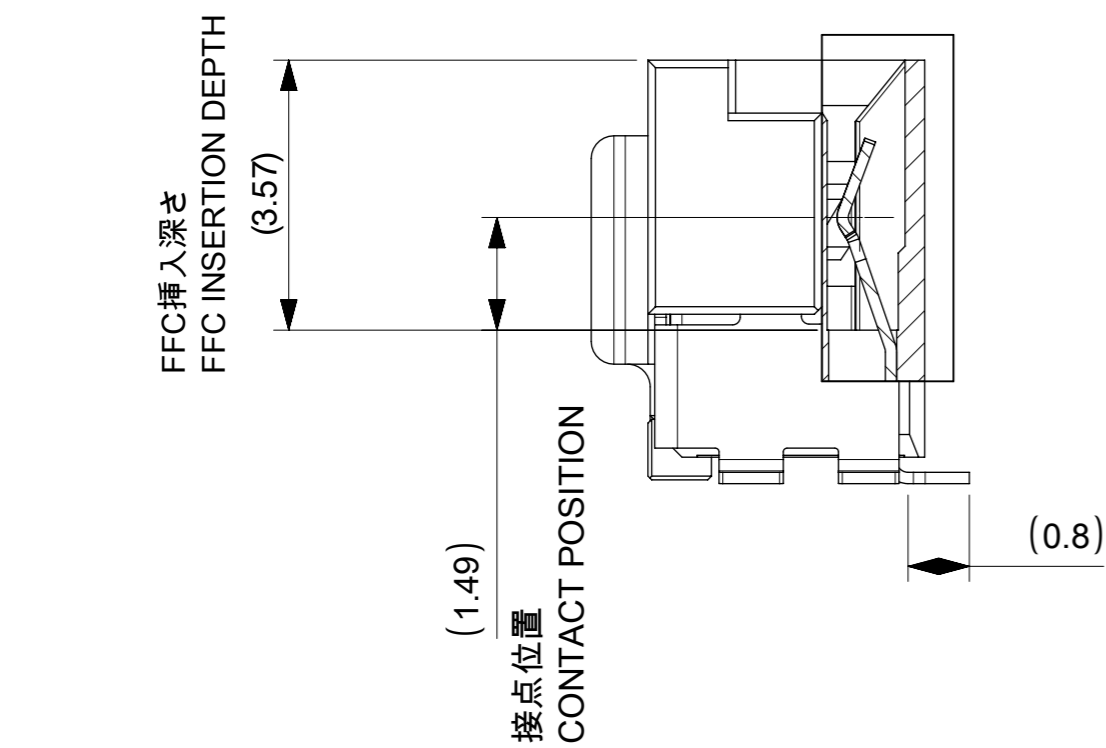
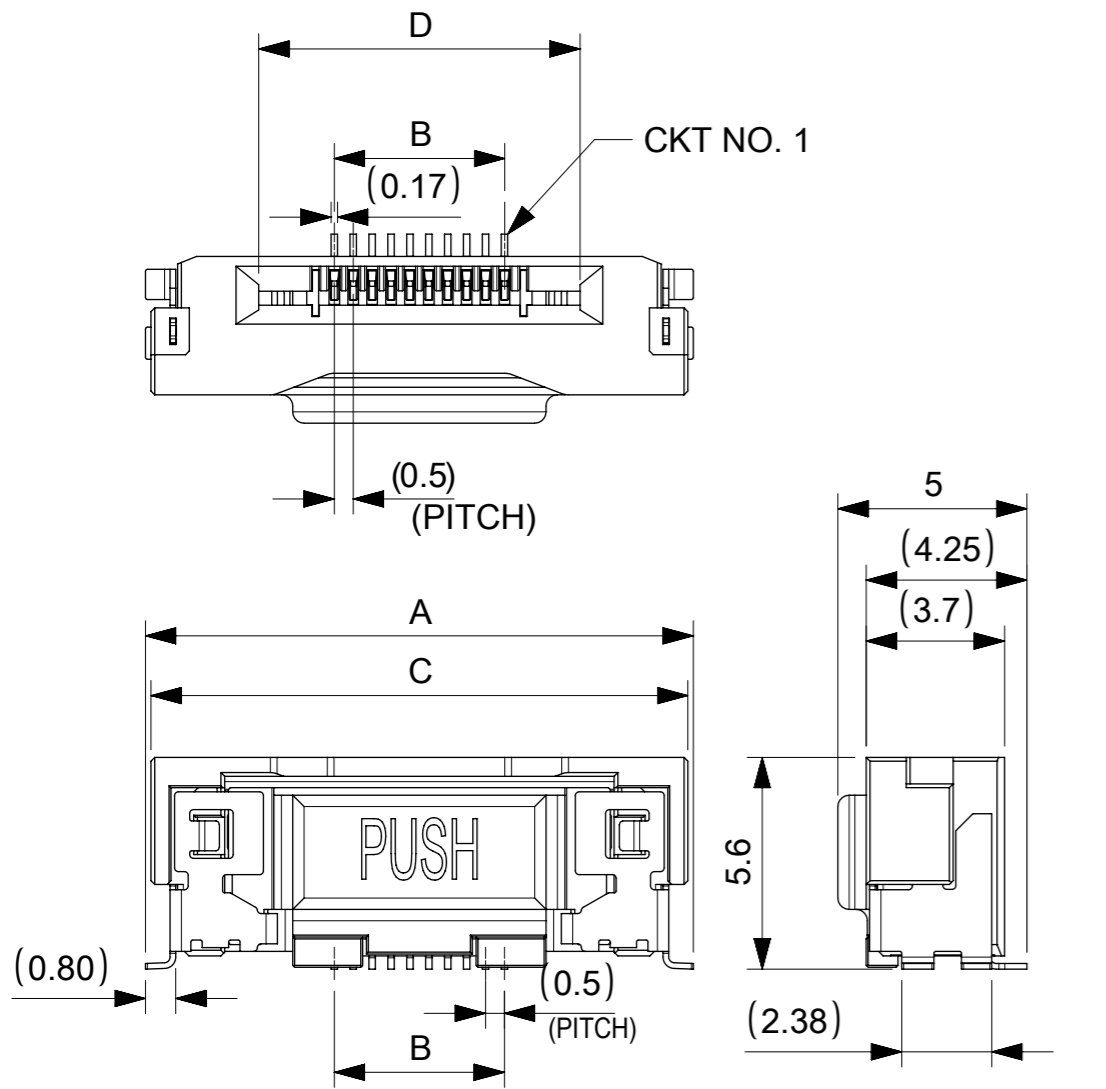
DIMENSION UNITS	SCALE	CURRENT REV DESC:	
mm	NTS		
GENERAL TOLERANCES (UNLESS SPECIFIED)			
ANGULAR TOL	± 1.0 °		
4 PLACES	± 0.1	EC NO: 648126	
3 PLACES	± 0.1	DRWN: TYAMANE	2020/10/15
2 PLACES	± 0.1	CHK'D: YMATSUMOTO	2020/10/30
1 PLACE	± 0.1	APPR: SHOSHIKAWA	2020/11/02
0 PLACES	± 0.1	INITIAL REVISION:	
DRAFT WHERE APPLICABLE MUST REMAIN WITHIN DIMENSIONS		DRWN: TYAMANE	2018/10/04
THIRD ANGLE PROJECTION		APPR: SHOSHIKAWA	2020/06/08
DRAWING		SERIES	MATERIAL NUMBER
A3-SIZE		200485	SEE TABLE
CUSTOMER		GENERAL	
SHEET NUMBER		3 OF 3	

**molex**

EMB PKG ONE-TOUCH ST HT

PRODUCT CUSTOMER DRAWING

DOCUMENT NUMBER: 2004850100 | DOC TYPE: PSD | DOC PART: 000 | REVISION: B

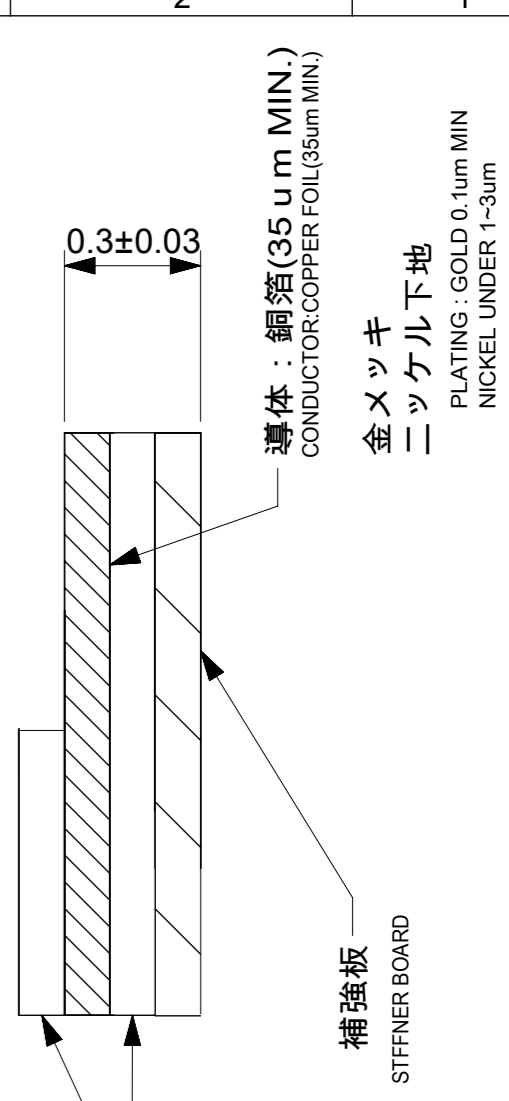
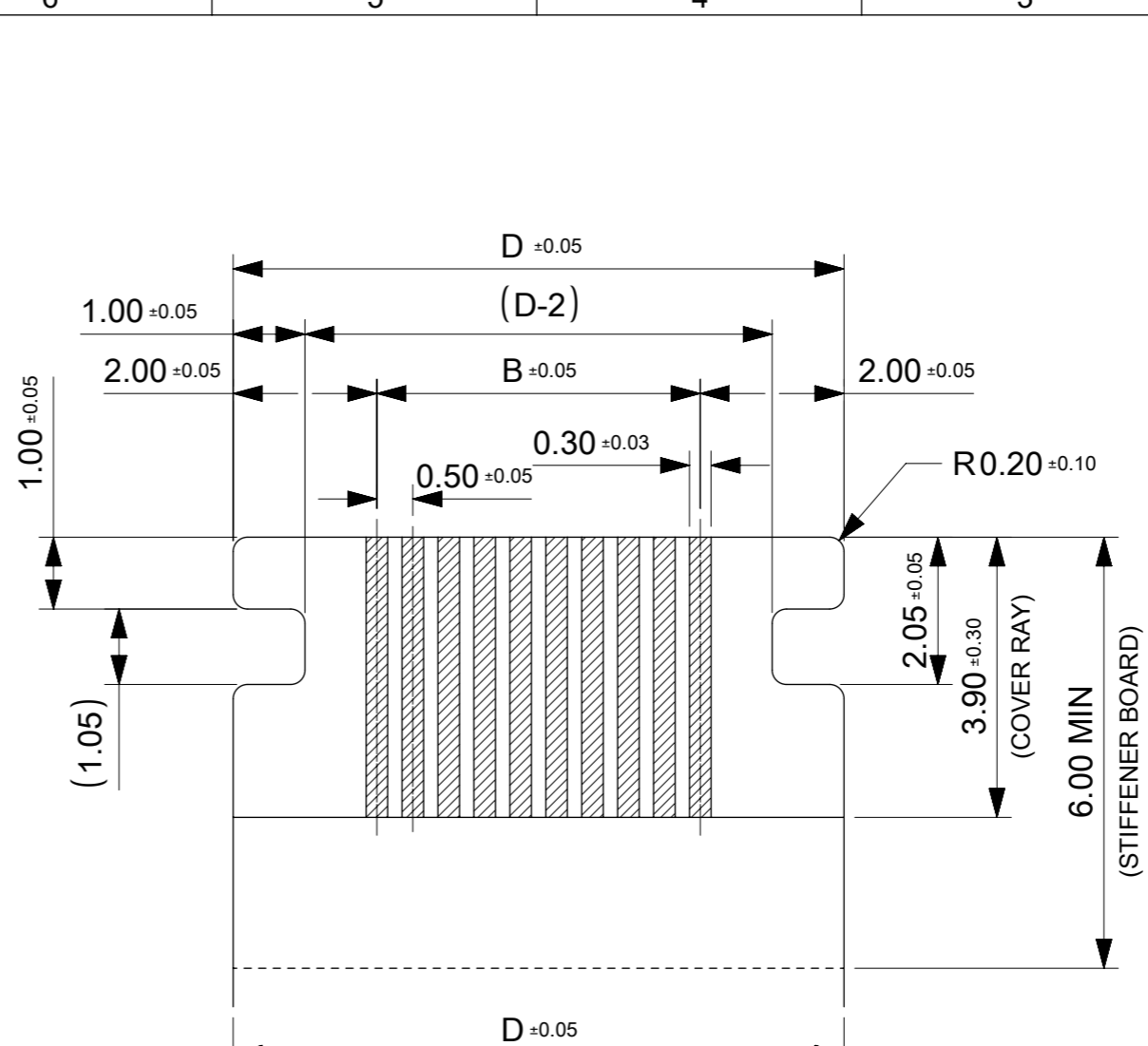
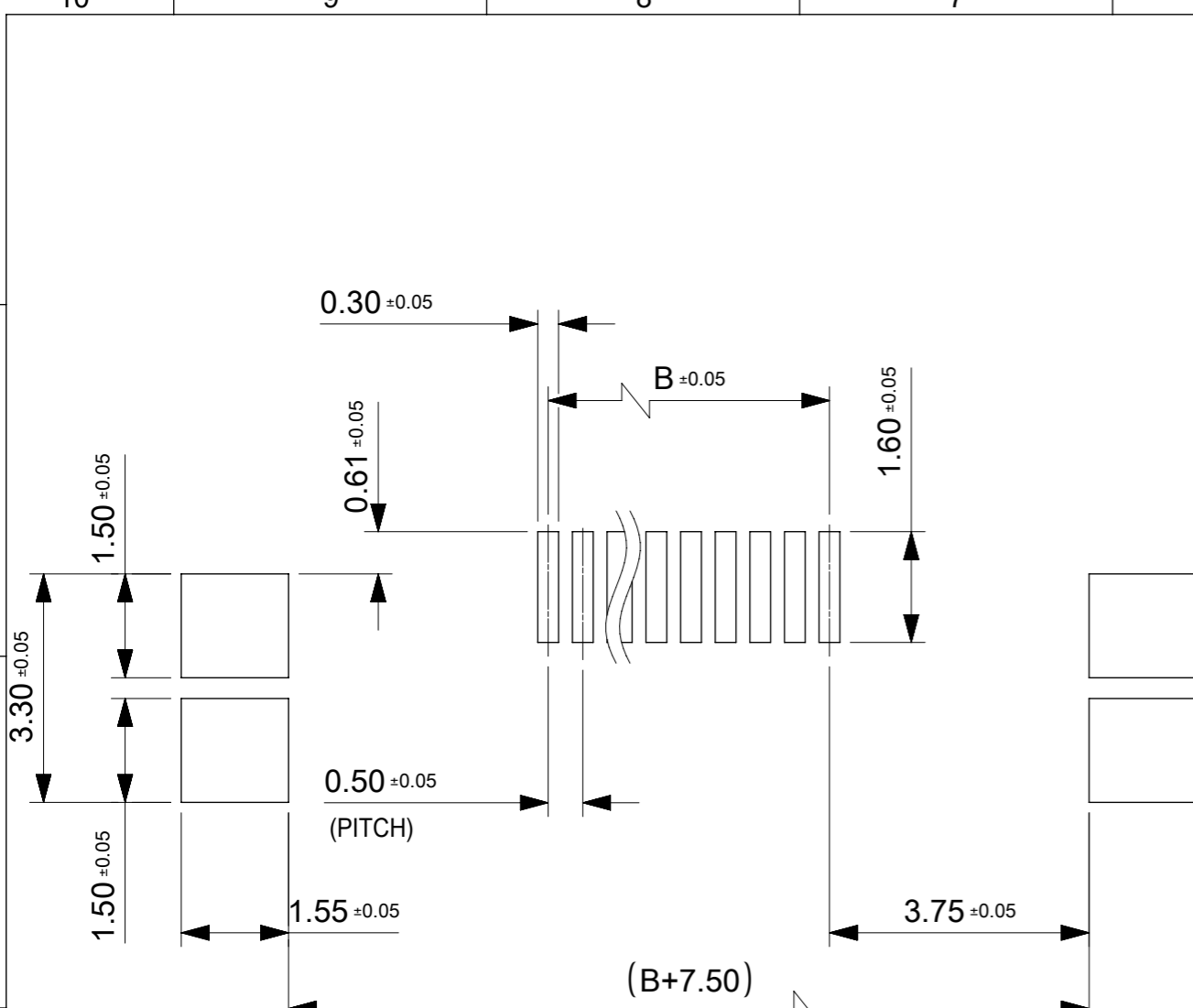


NOTES:

- 1.使用材料 MATERIAL
  - ハウジング : 液晶ポリマー, ガラス充填, UL94V-0(黒)
  - HOUSING : LIQUID CRYSTAL POLYMER, GLASS FILLED, UL94V-0(BLACK)
  - ボタン : 液晶ポリマー, ガラス充填, UL94V-0(ナチュラル)
  - BUTTON : LIQUID CRYSTAL POLYMER, GLASS FILLED, UL94V-0(NATURAL)
  - ターミナル : 銅合金(t=0.15)
  - TERMINAL : COPPER ALLOY
  - ロックネイル : 銅合金(t=0.15)
  - LOCK NAIL : COPPER ALLOY
- 2.めっき仕様 PLATING
  - ターミナル TERMINAL
    - 接点部 : 金めっき 0.1μm以上
    - CONTACT AREA : GOLD 0.1 MICROMETER MINIMUM
    - 半田付け部 : 金めっき
    - SOLDER TAIL AREA : GOLD
    - 下地めっき : ニッケル 1.0μm以上
    - UNDERPLATE : NICKEL 1.0 MICROMETER MINIMUM
    - ロックネイル LOCK NAIL
      - 錫めっき(1.0μm以上)
      - TIN PLATING (1.0 MICROMETER MIN.)
- 3.平坦度は0.1ミリ以下とする。
  - COPLANALITY TO BE 0.1 MAXIMUM.

1.301	43.5	49.2	39.5	49.49	2004850180	80
1.194	38.5	44.2	34.5	44.49	2004850170	70
1.053	33.5	39.2	29.5	39.49	2004850160	60
0.958	29	34.7	25	34.99	2004850151	51
0.942	28.5	34.2	24.5	34.49	2004850150	50
0.796	23.5	29.2	19.5	29.49	2004850140	40
0.702	21	26.7	17	26.99	2004850135	35
0.650	18.5	24.2	14.5	24.49	2004850130	30
0.504	13.5	19.2	9.5	19.49	2004850120	20
0.358	8.5	14.2	4.5	14.49	2004850110	10
NET WEIGHT (g)	D	C	B	A	EMBOSSED PACKAGE	CIRCUIT
CONNECTOR SERIES NO. 20048511**						

DIMENSION UNITS		SCALE	CURRENT REV DESC:				
mm		5:1	<p style="text-align: center;"><b>molex</b></p> <p style="text-align: center;">0.5FFC CONN. ST ONE TOUCH ASS'Y HT</p> <p style="text-align: center;">PRODUCT CUSTOMER DRAWING</p>				
GENERAL TOLERANCES (UNLESS SPECIFIED)							
ANGULAR TOL ± 1.0°							
4 PLACES	± 0.1	EC NO: 674194					
3 PLACES	± 0.1	DRWN: AHMADI2 2021/08/18					
2 PLACES	± 0.1	CHK'D: TKON 2021/08/19					
1 PLACE	± 0.1	APPR: SHOSHIKAWA 2021/08/19					
0 PLACES	± 0.1	INITIAL REVISION:	DOCUMENT NUMBER	DOC TYPE	DOC PART	REVISION	
DRAFT WHERE APPLICABLE MUST REMAIN WITHIN DIMENSIONS			DRWN: TYAMANE 2018/09/21	2004851100	PSD	000	C
THIRD ANGLE PROJECTION			APPR: SHOSHIKAWA 2020/06/08	SEE TABLE	GENERAL	SHEET NUMBER	
DRAWING			A3-SIZE	SERIES		1 OF 2	
SERIES			200485	MATERIAL NUMBER		CUSTOMER	



金メッキ  
ニッケル下地  
PLATING: GOLD 0.1 μm MIN  
NICKEL UNDER 1-3 μm

推奨PWB寸法  
RECOMMENDED PWB DIMENSION  
推奨メタルマスク厚、開口率: t=0.12mm, 80%  
RECOMMENDED METAL MASK THICKNESS, APERTURE RATIO: t=0.12mm, 80%  
ロックネール部開口率は100%  
APERTURE RATIO FOR LOCK NAIL: 100%

推奨FFC寸法  
RECOMMENDED FFC DIMENSION  
抜き方向は導体側から補強版側を推奨します  
RECOMMENDED PUNCHING DIRECTION:  
FROM CONDUCTOR SIDE TO STIFFENER SIDE

THIS DRAWING CONTAINS INFORMATION THAT IS PROPRIETARY TO MOLEX ELECTRONIC TECHNOLOGIES, LLC AND SHOULD NOT BE USED WITHOUT WRITTEN PERMISSION											
DIMENSION UNITS <b>mm</b>		SCALE <b>10:1</b>		CURRENT REV DESC:				<b>molex</b>		0.5FFC CONN. ST ONE TOUCH ASS'Y HT	
GENERAL TOLERANCES (UNLESS SPECIFIED)		ANGULAR TOL ± 1.0°		EC NO: 674194 DRWN: AHMADI2 2021/08/18 CHK'D: TKON 2021/08/19 APPR: SHOSHIKAWA 2021/08/19							
4 PLACES ± 0.1		3 PLACES ± 0.1		INITIAL REVISION:		DOCUMENT NUMBER		DOC TYPE		DOC PART	
2 PLACES ± 0.1		1 PLACE ± 0.1		DRWN: TYAMANE 2018/09/21 APPR: SHOSHIKAWA 2020/06/08		2004851100		PSD		000	
0 PLACES ± 0.1		DRAFT WHERE APPLICABLE MUST REMAIN WITHIN DIMENSIONS		THIRD ANGLE PROJECTION		DRAWING A3-SIZE		SERIES 200485		SHEET NUMBER 2 OF 2	
PRODUCT CUSTOMER DRAWING		CUSTOMER GENERAL		MATERIAL NUMBER SEE TABLE		REVISION C					

DOCUMENT STATUS	P1	RELEASE DATE	2021/08/19	01:59:51
-----------------	----	--------------	------------	----------