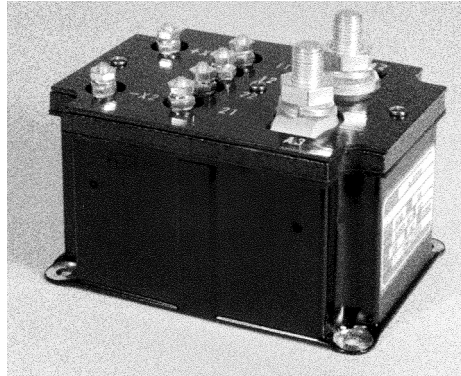


A-931 Series, Rated up to 600 Amps, 28 Vdc

Product Facts

- SPST NC, Double break
- Gasket sealed
- Auxiliary contacts available
- Meets many requirements of MIL-PRF-6106



Performance Data

Electrical Characteristics

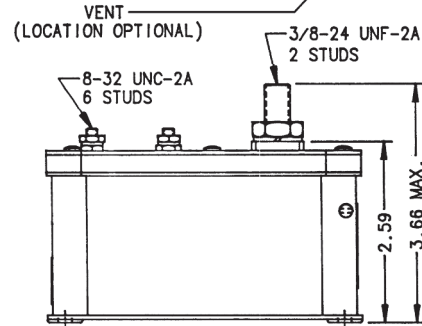
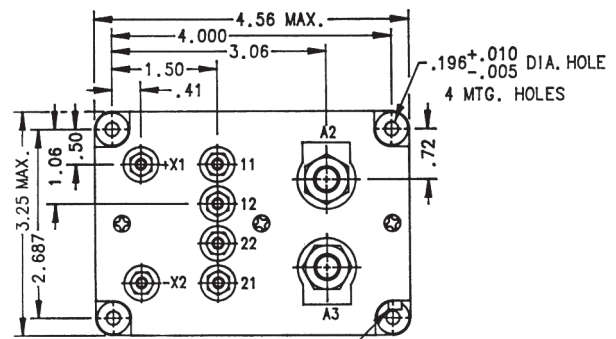
- Main Contacts** —
 Contact Arrangement — SPST NC, Double Break
Rated Operating Voltage — 28 Vdc
Resistive Rating — 600 Amps
Inrush for 30 sec — 1,000 Amps
Inrush for 5 min — 800 Amps
Auxiliary Contacts —
 Aux. Contact Arrangement — DPST
Rated Operating Voltage — 28 Vdc
Resistive Rating — 5 Amps

General Characteristics

- Temperature Range** —
 -55°C to +71°C
Operating Cycles (Life) at Rated Resistive Load, Min. — 50,000 cycles
Operating Cycles (Life) Mechanical, Min. — 100,000 cycles
Dielectric Strength —
 All Circuits to Ground — 1,250 Vrms
 Circuit to Circuit — 1,250 Vrms
 Coil to Ground and Aux. Contacts — 1,000 Vrms
Weight, Max. — 3.00 lbs

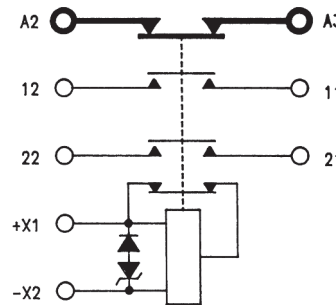
Coil Characteristics

- Duty Cycle** — Continuous, economizing
Operating Voltage, Max. — 30 Vdc
Operating Voltage, Min. — 18 Vdc
Pickup Voltage, Initial, Max. @ 71°C — 10 Vdc
Dropout Voltage — 1 to 7 Vdc
Resistance, Inrush ± 20% @ 25°C — 3 Ohm
Resistance, Hold ± 20% @ 25°C — 80 Ohm



Mounting Style A

Circuit Configurations (Consult factory for other available circuit configurations)



Circuit Configuration 1

For factory-direct application assistance, phone 419-521-9500 or fax 419-526-2749.

HARTMAN Part Number	Construction Type	Mounting Style	Coil Type	Circuit Config.	TE Part Number
A-931F	Gasket/Vented	A	Continuous, Economizing w/Supp.	1	1616060-1