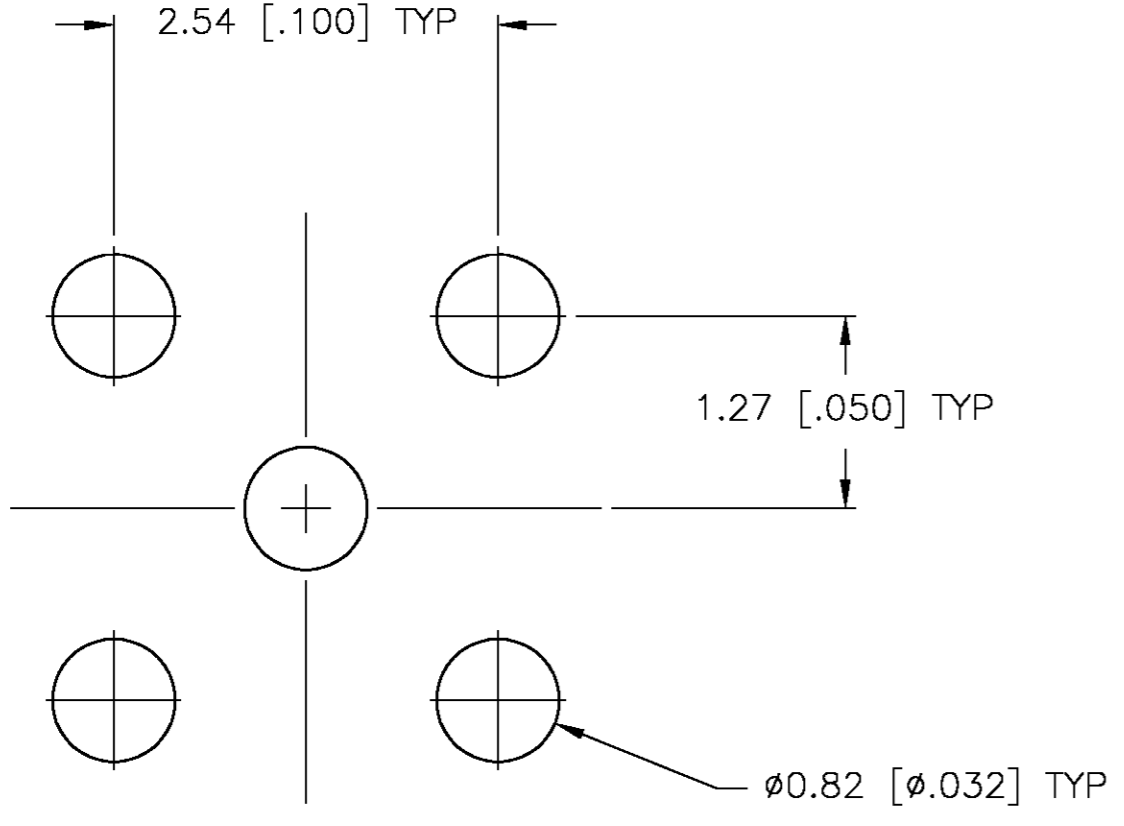
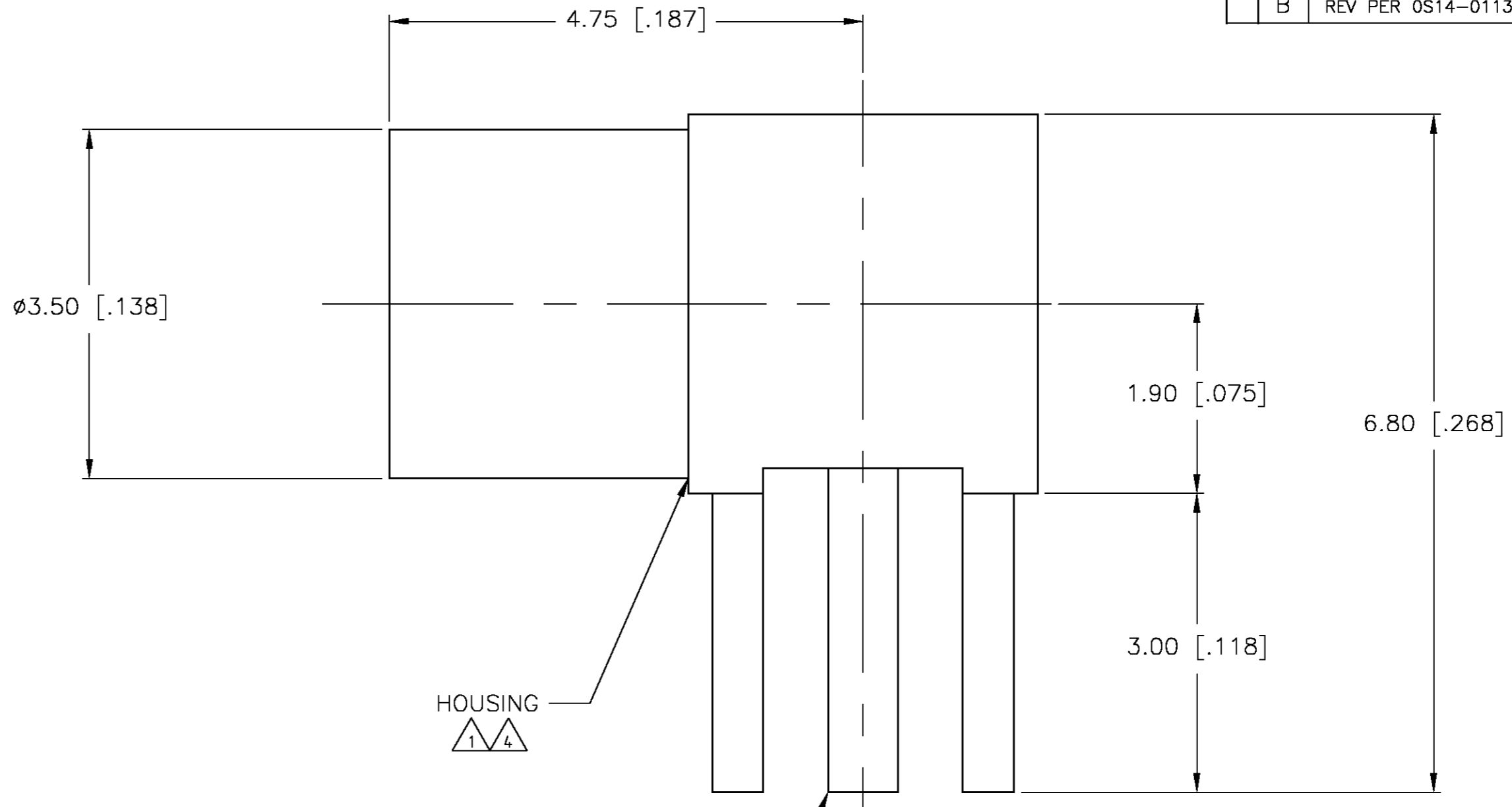
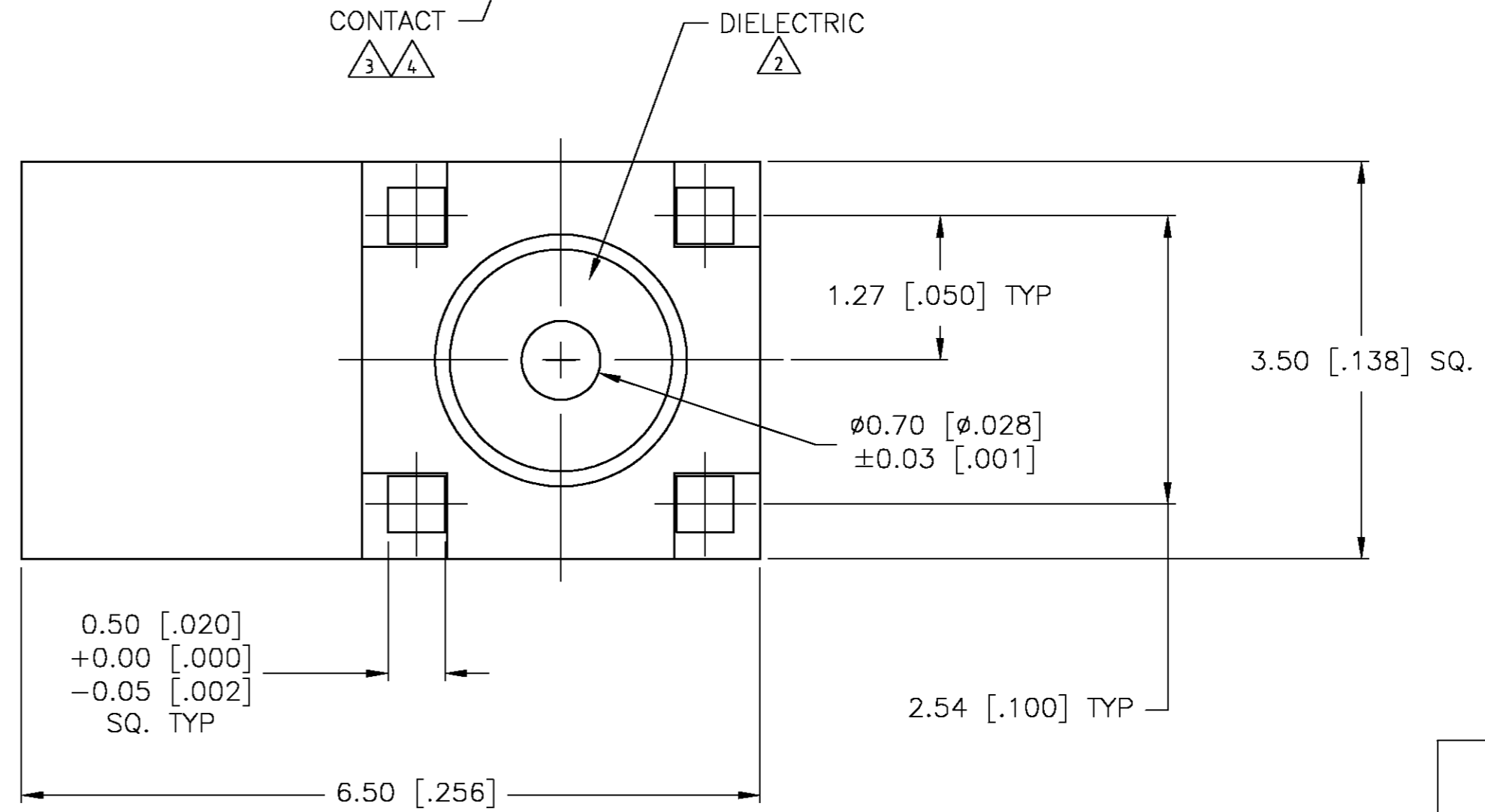


THIS DRAWING IS UNPUBLISHED. RELEASED FOR PUBLICATION  
 © COPYRIGHT BY TYCO ELECTRONICS CORPORATION. ALL RIGHTS RESERVED.

LOC		DIST		REVISIONS			
P	LTR	DESCRIPTION	DATE	DWN	APVD		
AJ	-	B	REV PER 0514-0113-03	07APR03	KW	KW	



RECOMMENDED PCB LAYOUT  
 TOLERANCE: ±0.08 [.003]



- 1 BRASS PER ASTM-B-16
- 2 PTFE PER ASTM-D-1710
- 3 BERYLLIUM COPPER PER ASTM-B-196
- 4 GOLD PLATE PER MIL-G-45204

1408151-1  
 PART NUMBER

THIS DRAWING IS A CONTROLLED DOCUMENT.		DWN	21NOV01	 Tyco Electronics Corporation Middletown, PA 17057	NAME		MMCX JACK, RIGHT ANGLE, PCB			
DIMENSIONS:		CHK	21NOV01		PRODUCT SPEC		SIZE	CAGE CODE	DRAWING NO	RESTRICTED TO
MM [INCHES]		APVD	21NOV01		APPLICATION SPEC		SCALE	SHEET	OF	REV
TOLERANCES UNLESS OTHERWISE SPECIFIED:		MATERIAL			WEIGHT		CUSTOMER DRAWING			
0 PLC	± -	-		0.45g/.016oz		A2 00779		C=1408151		
1 PLC	± -									
2 PLC	± 0.15 [.006]									
3 PLC	± -									
4 PLC	± -									
ANGLES										
FINISH										

1408151

A