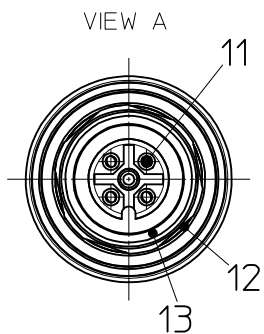
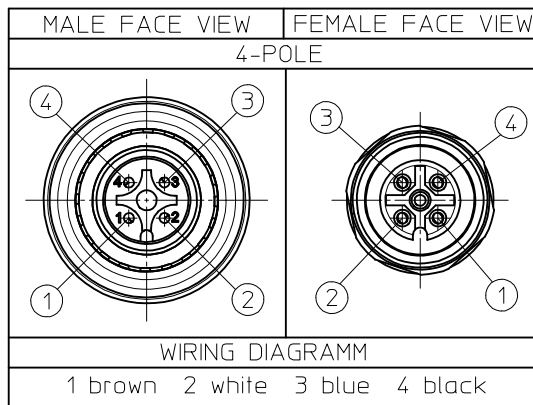


CABLE PRINTING: Molex "Material-No" "Eng.-No." "PROD. DATE"

PART NUMBER	ENGINEERING Nr.	DESCRIPTION	LENGTH L
1200805098	8W4030F03M0068	CSE U12 M12 4P AC MA STR PVC FE STR 0.6M DE UNSH BK V4A	0.6M
1200805099	8W4030F03M0108	CSE U12 M12 4P AC MA STR PVC FE STR 1M DE UNSH BK V4A	1M
1200805100	8W4030F03M0208	CSE U12 M12 4P AC MA STR PVC FE STR 2M DE UNSH BK V4A	2M
1200805101	8W4030F03M0308	CSE U12 M12 4P AC MA STR PVC FE STR 3M DE UNSH BK V4A	3M
1200805102	8W4030F03M0508	CSE U12 M12 4P AC MA STR PVC FE STR 5M DE UNSH BK V4A	5M
1200805103	8W4030F03M1008	CSE U12 M12 4P AC MA STR PVC FE STR 10M DE UNSH BK V4A	10M

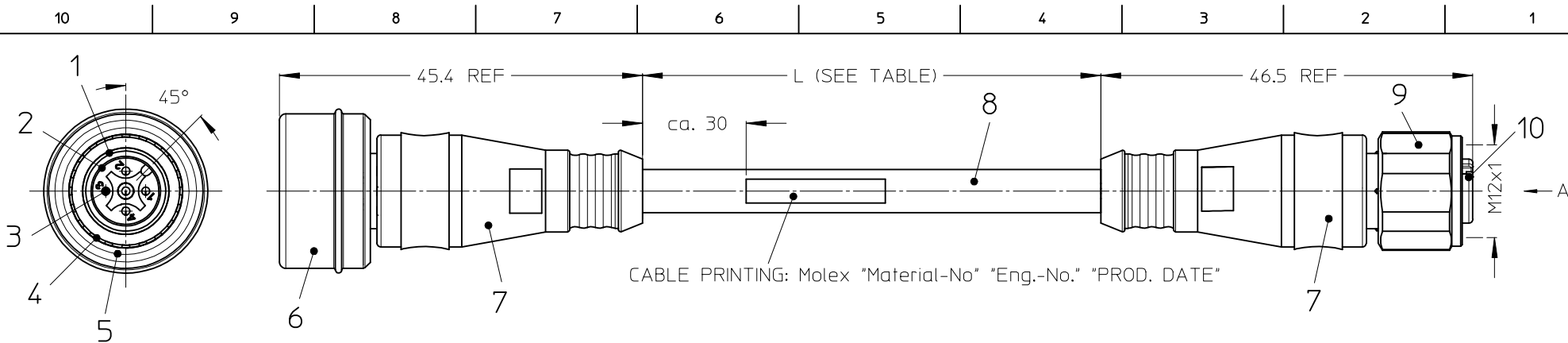


13	O-RING	EPDM	---
12	SPRING	STAINLESS STEEL	---
11	CRIMP CONTACT	COPPER ALLOY	Au over Ni
10	INSERT	PA6	---
9	COUPLING NUT	STAINLESS STEEL	---
8	CABLE	COPPER STANDING JACKET: PVC	---
7	OVERMOLD	PVC	---
6	PUSH SLEEVE	STAINLESS STEEL	---
5	SPRING SLEEVE	STAINLESS STEEL	---
4	SPRING	STAINLESS STEEL	---
3	PIN CONTACT	COPPER ALLOY	Au over Ni
2	INSERT	PA6	---
1	O-RING	EPDM	---
ITEM	COMPONENT	MATERIAL	FINISH

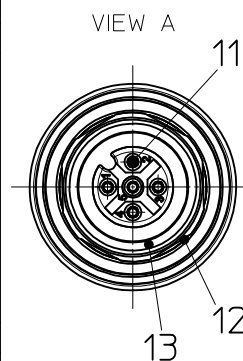
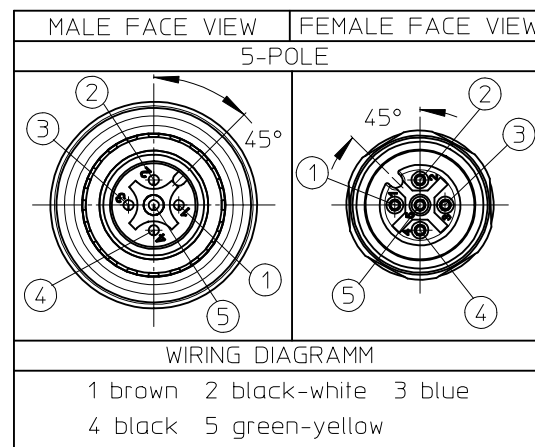
CONNECTOR SPECIFICATION

VOLTAGE RATING	250V VAC/DAC
AMPERAGE RATING	max. 4A
PROTECTION	IP 69K
OPERATING TEMPERATURE	-25 °C TO +105°C

ENTER DESCRIPTION EC NO: IPG2015-0803 DRW: RRSCHIEBER 2014/11/18 CHK: D:PSILLER 2014/11/18 APPR: CBURGER 2014/11/28	QUALITY SYMBOLS ▽=0 ◻=0	GENERAL TOLERANCES (UNLESS SPECIFIED)		DIMENSION STYLE MM ONLY		SCALE 2:1	DESIGN UNITS METRIC	THIRD ANGLE PROJECTION		
				DRAWN BY ZISMAYILOV	DATE 2012/09/14	TITLE CSE U12 M12 XP AC MA STR PVC FE STR XM DE UNSH BK V4A <b>molex</b> MATERIAL NO. SD-120080-070 DOCUMENT NO. SHEET NO. 1 OF 2				
		4 PLACES	± ---	± ---	CHECKED BY RSCHIEBER					DATE 2012/10/31
		3 PLACES	± ---	± ---	APPROVED BY CBURGER					DATE 2012/11/02
2 PLACES	± 0.05	± ---								
1 PLACE	± 0.30	± ---								
0 PLACE	± 0.50	± ---								
		ANGULAR ± .5 °		MATERIAL NO.						
		DRAFT WHERE APPLICABLE MUST REMAIN WITHIN DIMENSIONS		SEE TABLE						
				SIZE A3		THIS DRAWING CONTAINS INFORMATION THAT IS PROPRIETARY TO MOLEX INCORPORATED AND SHOULD NOT BE USED WITHOUT WRITTEN PERMISSION				



PART NUMBER	ENGINEERING Nr.	DESCRIPTION	LENGTH L
1200808078	8W5030F03M0068	CSE U12 M12 5P AC MA STR PVC FE STR 0.6M DE UNSH BK V4A	0.6M
1200808079	8W5030F03M0108	CSE U12 M12 5P AC MA STR PVC FE STR 1M DE UNSH BK V4A	1M
1200808080	8W5030F03M0208	CSE U12 M12 5P AC MA STR PVC FE STR 2M DE UNSH BK V4A	2M
1200808081	8W5030F03M0308	CSE U12 M12 5P AC MA STR PVC FE STR 3M DE UNSH BK V4A	3M
1200808082	8W5030F03M0508	CSE U12 M12 5P AC MA STR PVC FE STR 5M DE UNSH BK V4A	5M
1200808083	8W5030F03M1008	CSE U12 M12 5P AC MA STR PVC FE STR 10M DE UNSH BK V4A	10M

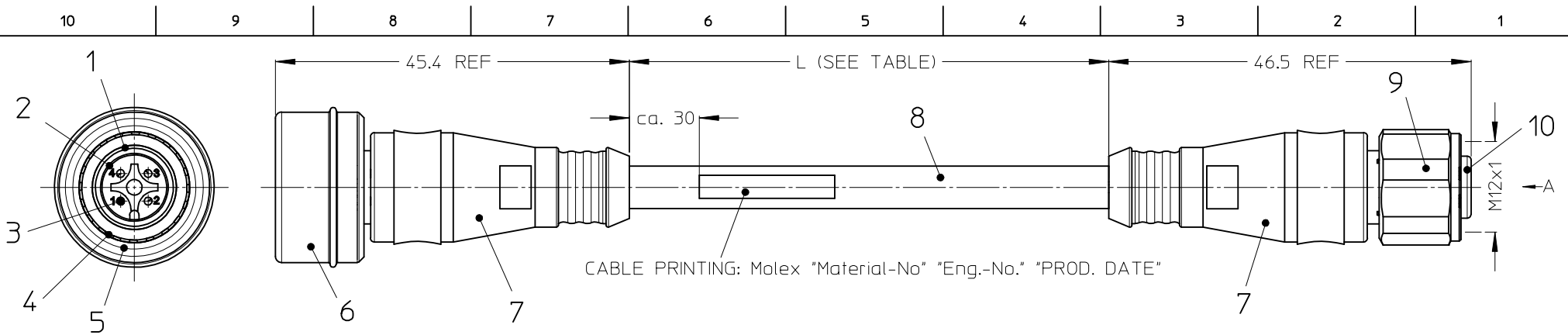


13	O-RING	EPDM	---
12	SPRING	STAINLESS STEEL	---
11	CRIMP CONTACT	COPPER ALLOY	Au over Ni
10	INSERT	PA6	---
9	COUPLING NUT	STAINLESS STEEL	---
8	CABLE	COPPER STANDING JACKET: PVC	---
7	OVERMOLD	PVC	---
6	PUSH SLEEVE	STAINLESS STEEL	---
5	SPRING SLEEVE	STAINLESS STEEL	---
4	SPRING	STAINLESS STEEL	---
3	PIN CONTACT	COPPER ALLOY	Au over Ni
2	INSERT	PA6	---
1	O-RING	EPDM	---
ITEM	COMPONENT	MATERIAL	FINISH

#### CONNECTOR SPECIFICATION

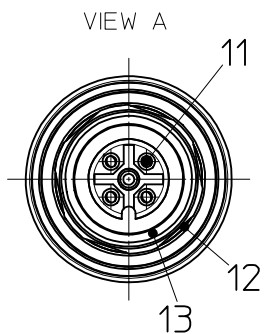
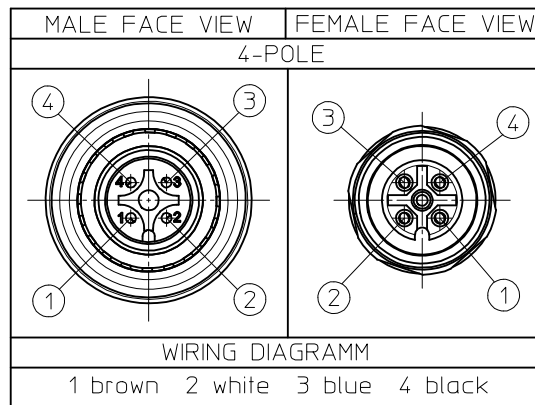
VOLTAGE RATING	250V VAC/DAC
AMPERAGE RATING	max. 4A
PROTECTION	IP 69K
OPERATING TEMPERATURE	-25 °C TO +105°C

ENTER DESCRIPTION EC NO: IPG2015-0803 DRW:RSCHIEBER 2014/11/18 CHK:RSCHIEBER 2014/11/18 APPR:CBURGER 2014/11/28	QUALITY SYMBOLS ▽=0 ◻=0	GENERAL TOLERANCES (UNLESS SPECIFIED)		DIMENSION STYLE	SCALE	DESIGN UNITS	THIRD ANGLE PROJECTION	
				MM ONLY	2:1	METRIC		
				DRAWN BY	DATE	TITLE		
				ZISMAYILOV	2012/09/14	CSE U12 M12 XP AC MA STR PVC FE STR XM DE UNSH BK V4A		
		DRAFT WHERE APPLICABLE MUST REMAIN WITHIN DIMENSIONS		APPROVED BY	DATE	DOCUMENT NO.		
				CBURGER	2012/11/02	SD-120080-070		
				SEE TABLE		SHEET NO.		
				SIZE A3		2 OF 2		
		THIS DRAWING CONTAINS INFORMATION THAT IS PROPRIETARY TO MOLEX INCORPORATED AND SHOULD NOT BE USED WITHOUT WRITTEN PERMISSION						



CABLE PRINTING: Molex "Material-No" "Eng.-No." "PROD. DATE"

PART NUMBER	ENGINEERING Nr.	DESCRIPTION	LENGTH L
1200805098	8W4030F03M0068	CSE U12 M12 4P AC MA STR PVC FE STR 0.6M DE UNSH BK V4A	0.6M
1200805099	8W4030F03M0108	CSE U12 M12 4P AC MA STR PVC FE STR 1M DE UNSH BK V4A	1M
1200805100	8W4030F03M0208	CSE U12 M12 4P AC MA STR PVC FE STR 2M DE UNSH BK V4A	2M
1200805101	8W4030F03M0308	CSE U12 M12 4P AC MA STR PVC FE STR 3M DE UNSH BK V4A	3M
1200805102	8W4030F03M0508	CSE U12 M12 4P AC MA STR PVC FE STR 5M DE UNSH BK V4A	5M
1200805103	8W4030F03M1008	CSE U12 M12 4P AC MA STR PVC FE STR 10M DE UNSH BK V4A	10M

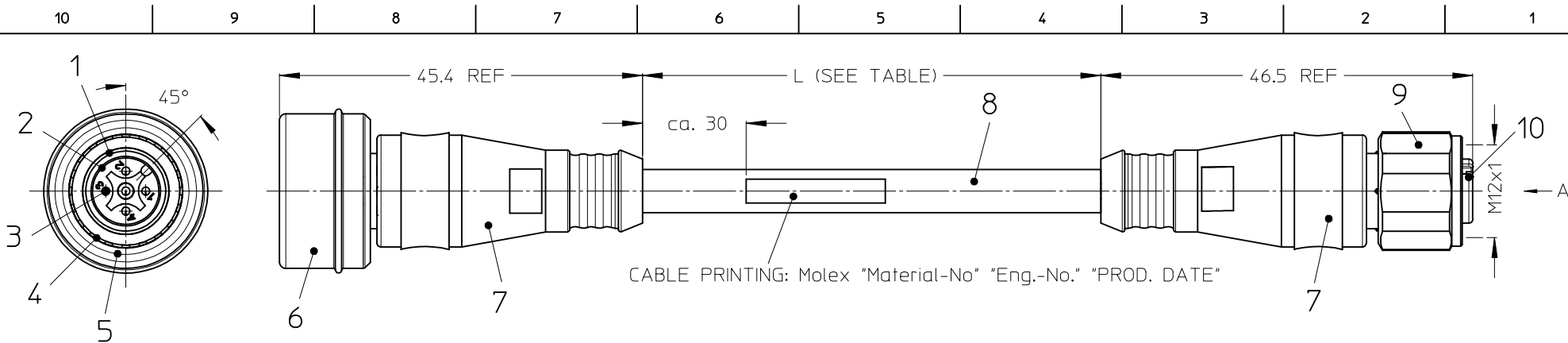


13	O-RING	EPDM	---
12	SPRING	STAINLESS STEEL	---
11	CRIMP CONTACT	COPPER ALLOY	Au over Ni
10	INSERT	PA6	---
9	COUPLING NUT	STAINLESS STEEL	---
8	CABLE	COPPER STANDING JACKET: PVC	---
7	OVERMOLD	PVC	---
6	PUSH SLEEVE	STAINLESS STEEL	---
5	SPRING SLEEVE	STAINLESS STEEL	---
4	SPRING	STAINLESS STEEL	---
3	PIN CONTACT	COPPER ALLOY	Au over Ni
2	INSERT	PA6	---
1	O-RING	EPDM	---
ITEM	COMPONENT	MATERIAL	FINISH

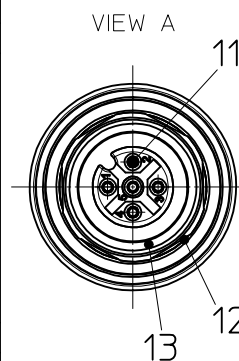
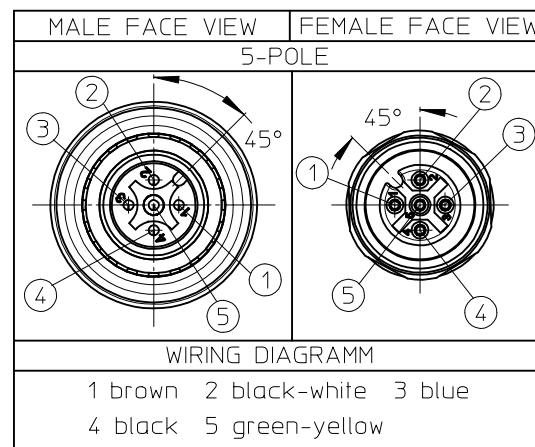
CONNECTOR SPECIFICATION

VOLTAGE RATING	250V VAC/DAC
AMPERAGE RATING	max. 4A
PROTECTION	IP 69K
OPERATING TEMPERATURE	-25 °C TO +105°C

<b>ENTER DESCRIPTION</b> EC NO: IPG2015-0803 DRW:RSCHIEBER 2014/11/18 CHKD:PSILLER 2014/11/18 APPR:CBURGER 2014/11/28	<b>QUALITY SYMBOLS</b> ▽=0 ◻=0	<b>GENERAL TOLERANCES (UNLESS SPECIFIED)</b>		<b>DIMENSION STYLE</b> MM ONLY		<b>SCALE</b> 2:1	<b>DESIGN UNITS</b> METRIC	THIRD ANGLE PROJECTION	
		4 PLACES ± --- ± --- 3 PLACES ± --- ± --- 2 PLACES ± 0.05 ± --- 1 PLACE ± 0.30 ± --- 0 PLACE ± 0.50 ± ---	mm INCH	DRAWN BY ZISMAYILOV	DATE 2012/09/14	<b>TITLE</b> CSE U12 M12 XP AC MA STR PVC FE STR XM DE UNSH BK V4A			
		DRAFT WHERE APPLICABLE MUST REMAIN WITHIN DIMENSIONS		CHECKED BY RSCHIEBER	DATE 2012/10/31	<b>molex</b> SD-120080-070			
				APPROVED BY CBURGER	DATE 2012/11/02				



PART NUMBER	ENGINEERING Nr.	DESCRIPTION	LENGTH L
1200808078	8W5030F03M0068	CSE U12 M12 5P AC MA STR PVC FE STR 0.6M DE UNSH BK V4A	0.6M
1200808079	8W5030F03M0108	CSE U12 M12 5P AC MA STR PVC FE STR 1M DE UNSH BK V4A	1M
1200808080	8W5030F03M0208	CSE U12 M12 5P AC MA STR PVC FE STR 2M DE UNSH BK V4A	2M
1200808081	8W5030F03M0308	CSE U12 M12 5P AC MA STR PVC FE STR 3M DE UNSH BK V4A	3M
1200808082	8W5030F03M0508	CSE U12 M12 5P AC MA STR PVC FE STR 5M DE UNSH BK V4A	5M
1200808083	8W5030F03M1008	CSE U12 M12 5P AC MA STR PVC FE STR 10M DE UNSH BK V4A	10M



13	O-RING	EPDM	---
12	SPRING	STAINLESS STEEL	---
11	CRIMP CONTACT	COPPER ALLOY	Au over Ni
10	INSERT	PA6	---
9	COUPLING NUT	STAINLESS STEEL	---
8	CABLE	COPPER STANDING JACKET: PVC	---
7	OVERMOLD	PVC	---
6	PUSH SLEEVE	STAINLESS STEEL	---
5	SPRING SLEEVE	STAINLESS STEEL	---
4	SPRING	STAINLESS STEEL	---
3	PIN CONTACT	COPPER ALLOY	Au over Ni
2	INSERT	PA6	---
1	O-RING	EPDM	---
ITEM	COMPONENT	MATERIAL	FINISH

#### CONNECTOR SPECIFICATION

VOLTAGE RATING	250V VAC/DAC
AMPERAGE RATING	max. 4A
PROTECTION	IP 69K
OPERATING TEMPERATURE	-25 °C TO +105°C

<b>ENTER DESCRIPTION</b> EC NO: IPG2015-0803 DRW:RSCHIEBER 2014/11/18 CHK:RSCHIEBER 2014/11/18 APPR:CBURGER 2014/11/28	<b>QUALITY SYMBOLS</b> ▽=0 ◻=0	<b>GENERAL TOLERANCES (UNLESS SPECIFIED)</b>		<b>DIMENSION STYLE</b> <b>MM ONLY</b>	<b>SCALE</b> <b>2:1</b>	<b>DESIGN UNITS</b> <b>METRIC</b>	<b>THIRD ANGLE PROJECTION</b>	
		4 PLACES ± --- ± --- 3 PLACES ± --- ± --- 2 PLACES ± 0.05 ± --- 1 PLACE ± 0.30 ± --- 0 PLACE ± 0.50 ± ---	mm INCH DRAWN BY DATE ZISMAYILOV 2012/09/14 CHECKED BY DATE RSCHIEBER 2012/10/31 APPROVED BY DATE CBURGER 2012/11/02	<b>TITLE</b> CSE U12 M12 XP AC MA STR PVC FE STR XM DE UNSH BK V4A				
		<b>ANGULAR ± .5 °</b>		<b>MATERIAL NO.</b>		<b>DOCUMENT NO.</b>		<b>SHEET NO.</b> 2 OF 2
		<b>DRAFT WHERE APPLICABLE MUST REMAIN WITHIN DIMENSIONS</b>		<b>SEE TABLE</b>		<b>SD-120080-070</b>		