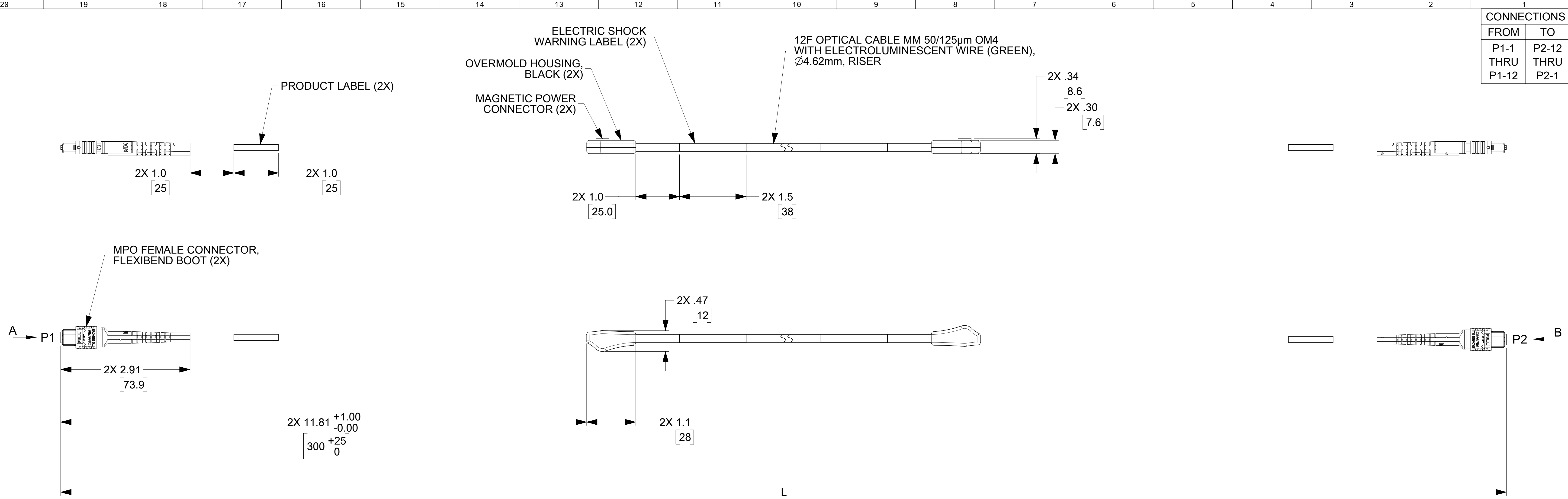
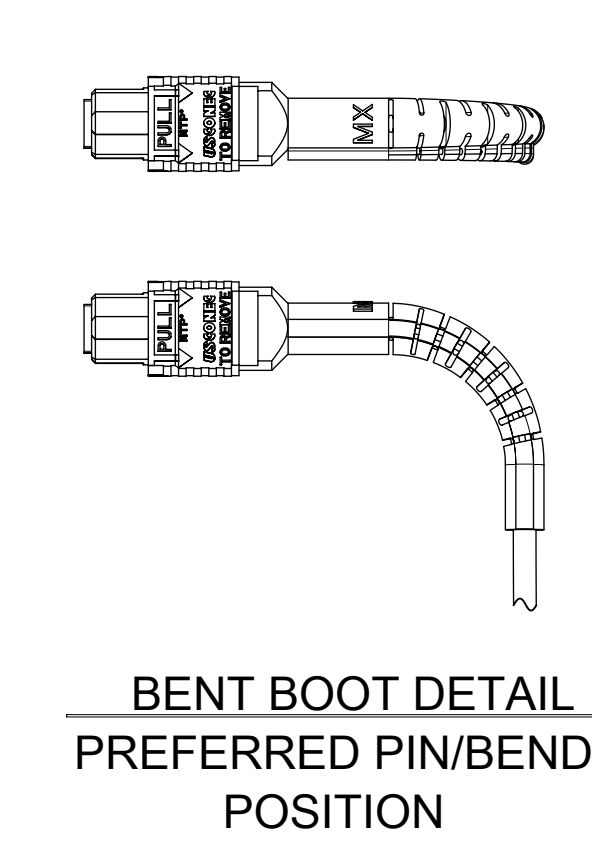
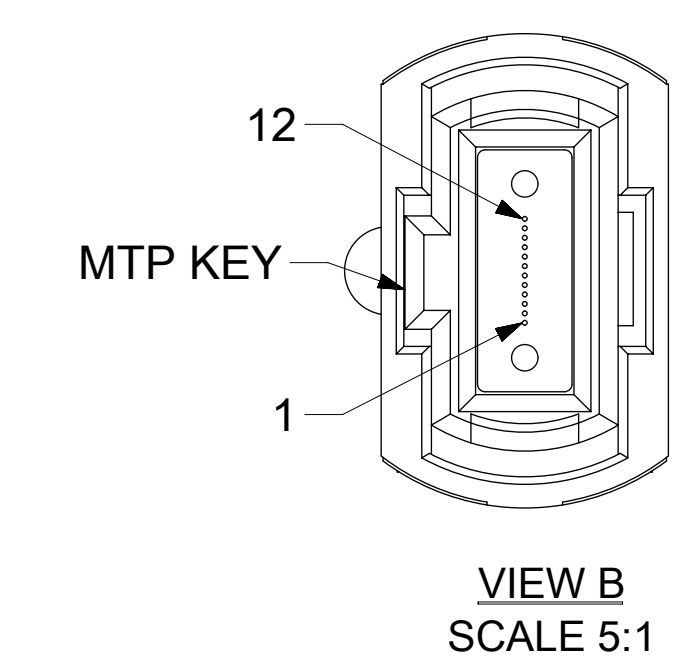
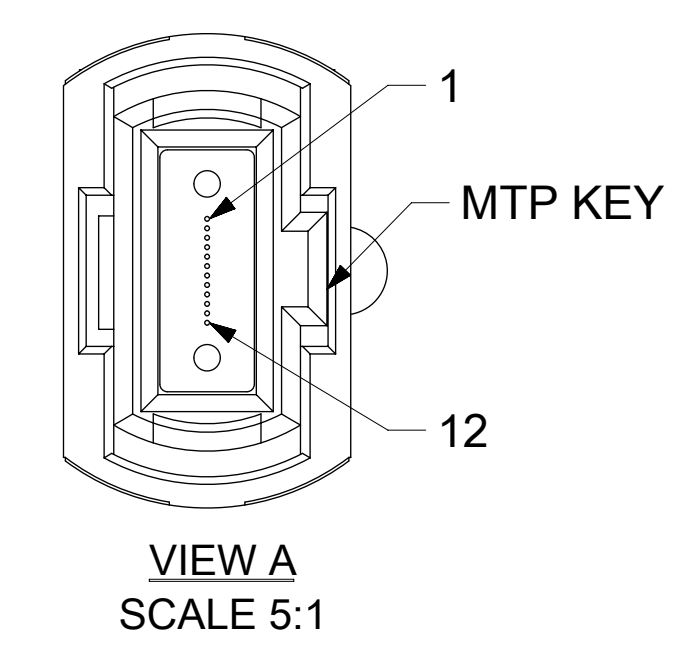
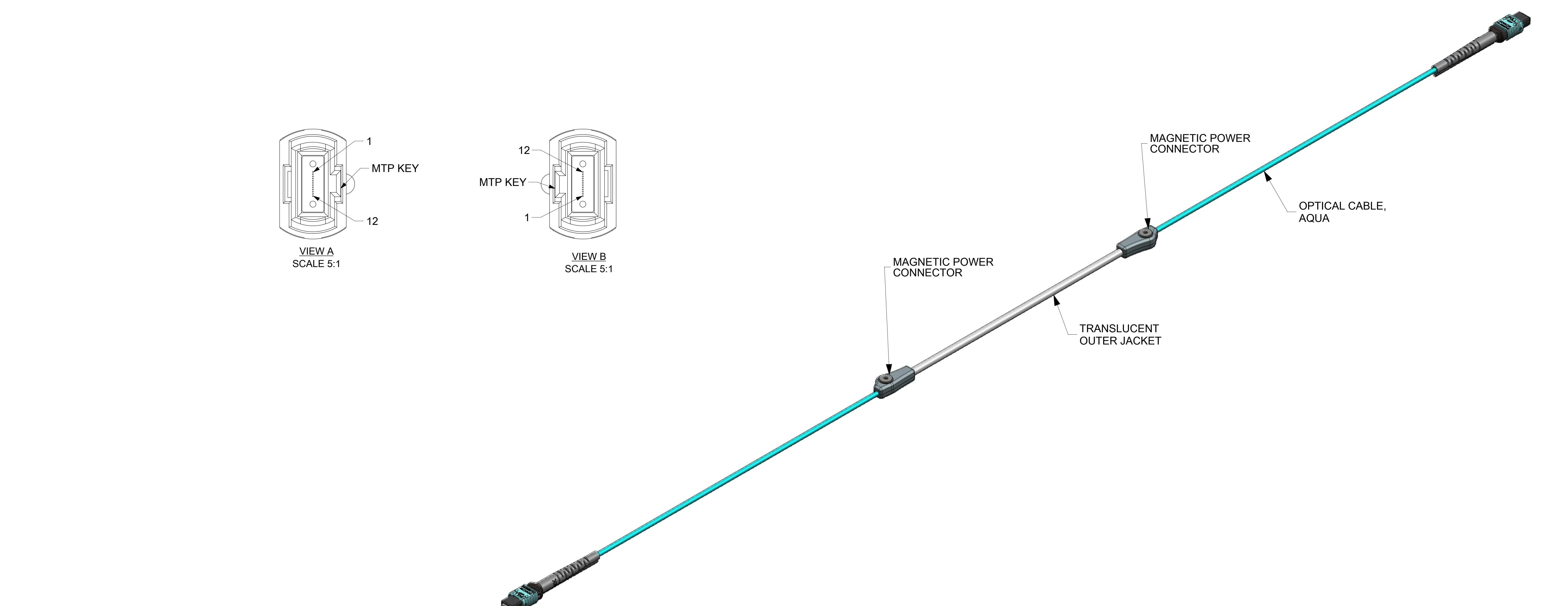


| LumaLink CABLE P/N | LENGTH L (ft) | LumaLink CABLE P/N | LENGTH L (ft) |
|--------------------|---------------|--------------------|---------------|
| 1062837201         | 5.0 +0.67/-0  | 1062837242         | 205.0 +4.1/-0 |
| 1062837202         | 8.0 +0.67/-0  | 1062837243         | 210.0 +4.2/-0 |
| 1062837203         | 10.0 +0.67/-0 | 1062837244         | 215.0 +4.3/-0 |
| 1062837204         | 15.0 +0.67/-0 | 1062837245         | 220.0 +4.4/-0 |
| 1062837205         | 20.0 +0.67/-0 | 1062837246         | 225.0 +4.5/-0 |
| 1062837206         | 25.0 +0.67/-0 | 1062837247         | 230.0 +4.6/-0 |
| 1062837207         | 30.0 +1.0/-0  | 1062837248         | 235.0 +4.7/-0 |
| 1062837208         | 35.0 +1.0/-0  | 1062837249         | 240.0 +4.8/-0 |
| 1062837209         | 40.0 +1.0/-0  | 1062837250         | 245.0 +4.9/-0 |
| 1062837210         | 45.0 +1.0/-0  | 1062837251         | 250.0 +5.0/-0 |
| 1062837211         | 50.0 +1.0/-0  | 1062837252         | 255.0 +5.1/-0 |
| 1062837212         | 55.0 +1.0/-0  | 1062837253         | 260.0 +5.2/-0 |
| 1062837213         | 60.0 +1.0/-0  | 1062837254         | 265.0 +5.3/-0 |
| 1062837214         | 65.0 +1.3/-0  | 1062837255         | 270.0 +5.4/-0 |
| 1062837215         | 70.0 +1.4/-0  | 1062837256         | 275.0 +5.5/-0 |
| 1062837216         | 75.0 +1.5/-0  | 1062837257         | 280.0 +5.6/-0 |
| 1062837217         | 80.0 +1.6/-0  | 1062837258         | 285.0 +5.7/-0 |
| 1062837218         | 85.0 +1.7/-0  | 1062837259         | 290.0 +5.8/-0 |
| 1062837219         | 90.0 +1.8/-0  | 1062837260         | 295.0 +5.9/-0 |
| 1062837220         | 95.0 +1.9/-0  | 1062837261         | 300.0 +6.0/-0 |
| 1062837221         | 100.0 +2.0/-0 | 1062837262         | 305.0 +6.1/-0 |
| 1062837222         | 105.0 +2.1/-0 | 1062837263         | 310.0 +6.2/-0 |
| 1062837223         | 110.0 +2.2/-0 | 1062837264         | 315.0 +6.3/-0 |
| 1062837224         | 115.0 +2.3/-0 | 1062837265         | 320.0 +6.4/-0 |
| 1062837225         | 120.0 +2.4/-0 | 1062837266         | 325.0 +6.5/-0 |
| 1062837226         | 125.0 +2.5/-0 |                    |               |
| 1062837227         | 130.0 +2.6/-0 |                    |               |
| 1062837228         | 135.0 +2.7/-0 |                    |               |
| 1062837229         | 140.0 +2.8/-0 |                    |               |
| 1062837230         | 145.0 +2.9/-0 |                    |               |
| 1062837231         | 150.0 +3.0/-0 |                    |               |
| 1062837232         | 155.0 +3.1/-0 |                    |               |
| 1062837233         | 160.0 +3.2/-0 |                    |               |
| 1062837234         | 165.0 +3.3/-0 |                    |               |
| 1062837235         | 170.0 +3.4/-0 |                    |               |
| 1062837236         | 175.0 +3.5/-0 |                    |               |
| 1062837237         | 180.0 +3.6/-0 |                    |               |
| 1062837238         | 185.0 +3.7/-0 |                    |               |
| 1062837239         | 190.0 +3.8/-0 |                    |               |
| 1062837240         | 195.0 +3.9/-0 |                    |               |
| 1062837241         | 200.0 +4.0/-0 |                    |               |



| CONNECTIONS     |                 |
|-----------------|-----------------|
| FROM            | TO              |
| P1-1 THRU P1-12 | P2-12 THRU P2-1 |



- NOTES:
- DIMENSIONS ARE IN in/[mm].
  - CONNECTOR ENDCAPS ARE NOT SHOWN BUT INCLUDED.
  - MAX. INSERTION LOSS PER CONNECTOR AT 850nm: 0.5dB. CABLE ATTENUATION 3.0 dB/km MAX. IS NOT UNCLUDED. MAX. RETURN LOSS AT 850nm: -20dB.
  - OPERATING TEMPERATURE: 0° TO +60°C.
  - BOTH PRODUCT LABELS ARE PRINTED WITH MOLEX P/N AND SERIAL NUMBER.
  - PRELIMINARY RELEASE - PRODUCT HAS NOT BEEN FULLY QUALIFIED.

| SYMBOLS |          | THIS DRAWING CONTAINS INFORMATION THAT IS PROPRIETARY TO MOLEX ELECTRONIC TECHNOLOGIES, LLC AND SHOULD NOT BE USED WITHOUT WRITTEN PERMISSION |           | CURRENT REV DESC:      |               | molex  |          |              |          |
|---------|----------|---|-----------|------------------------|---------------|--|----------|--------------|----------|
| ▽ = 0   | 4 PLACES | HYBRID  | SCALE 1:1 | EC NO: 178225          | 2018/06/19    | LUMALINK CABLE ASSEMBLY, MPO(F) TO MPO(F), MM 50/125 OM4 |          |              |          |
| ▽ = 0   | 3 PLACES | GENERAL TOLERANCES (UNLESS SPECIFIED)   |           | DRWN: IGUMIN           | 2018/06/21    |  |          |              |          |
| ▽ = 0   | 2 PLACES | ANGULAR TOL ± °   |           | APPR: IGUMIN           | 2018/06/21    | RESTRICTED PRODUCT CUSTOMER DRAWING                      |          |              |          |
| ▽ = 0   | 1 PLACE  |   |           | INITIAL REVISION:      |               | DOCUMENT NUMBER  | DOC TYPE | DOC PART     | REVISION |
| ▽ = 0   | 0 PLACES |   |           | DRWN: IGUMIN           | 2018/01/02    | 1062837201   | PSD      | 000          | B        |
| ⊗ = 0   |          |   |           | APPR: IGUMIN           | 2018/05/18    |  |          |              |          |
| ■ = 0   |          | DRAFT WHERE APPLICABLE MUST REMAIN WITHIN DIMENSIONS  |           | THIRD ANGLE PROJECTION | DRAWING       | MATERIAL NUMBER  | CUSTOMER | SHEET NUMBER |          |
| ▽ = 0   |          |   |           | E-SIZE                 | SERIES 106283 | SEE TABLE  | VERIZON  | 1 OF 1       |          |