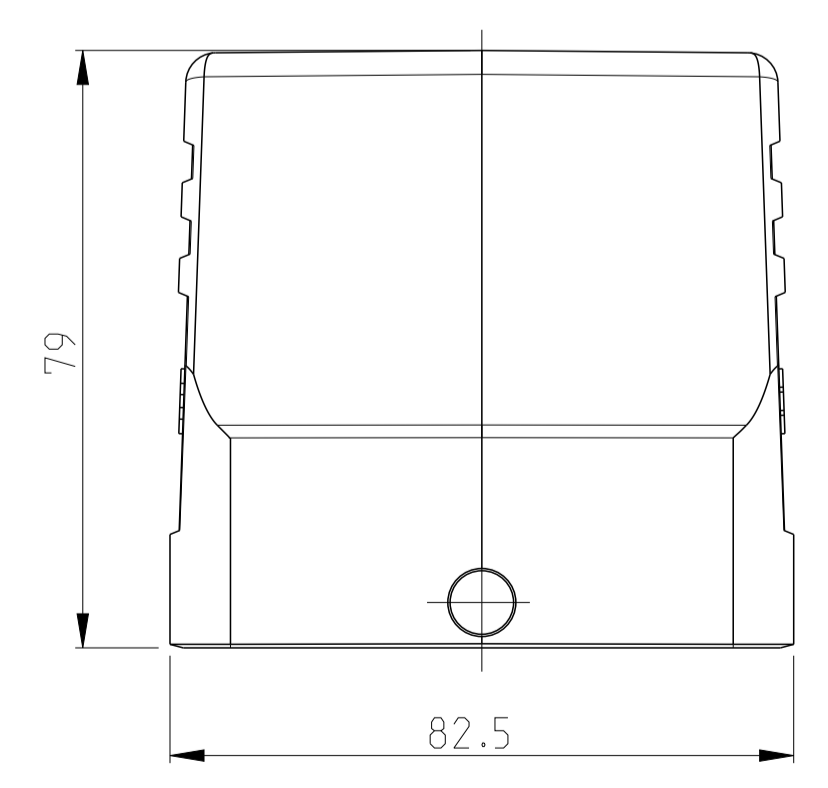
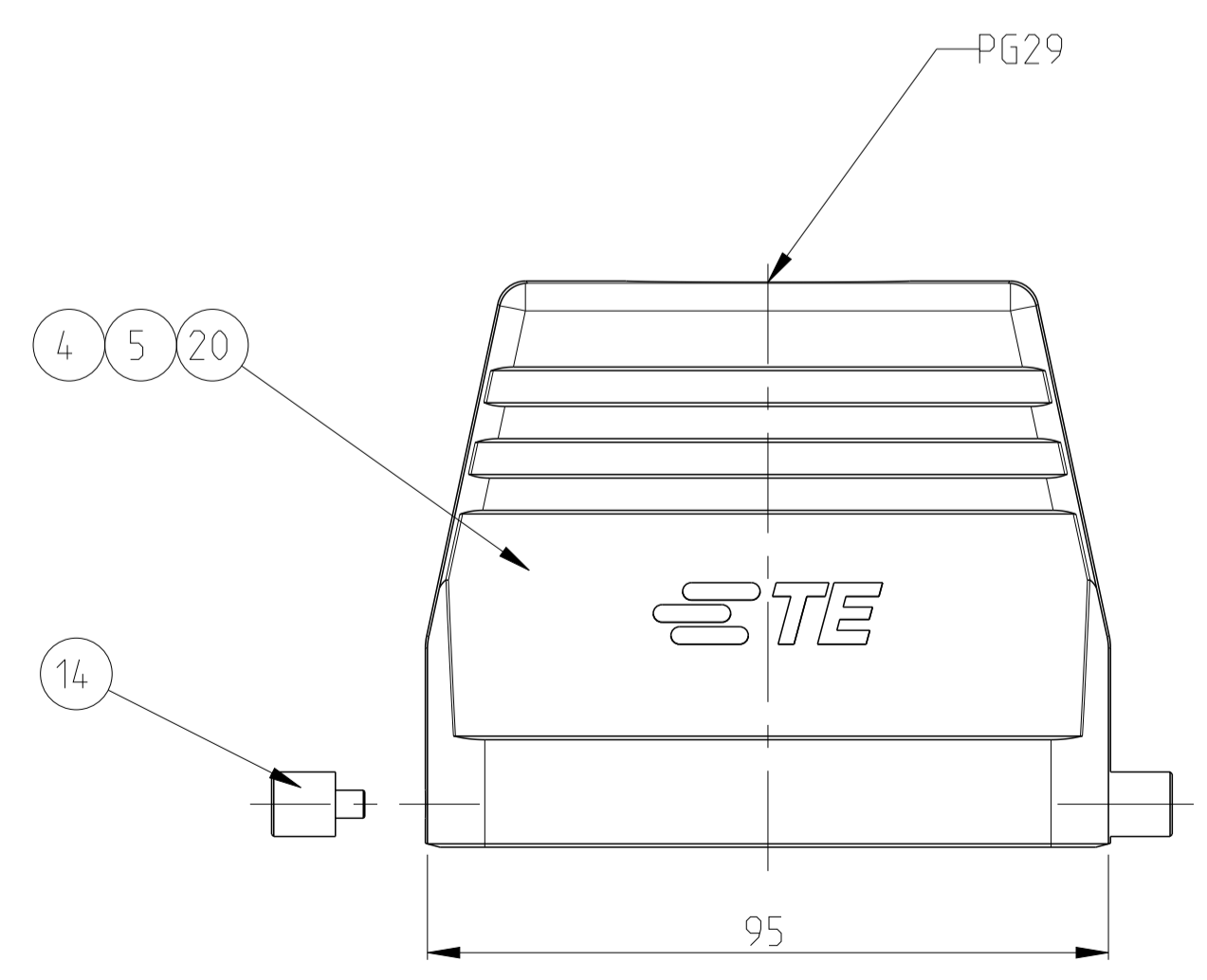
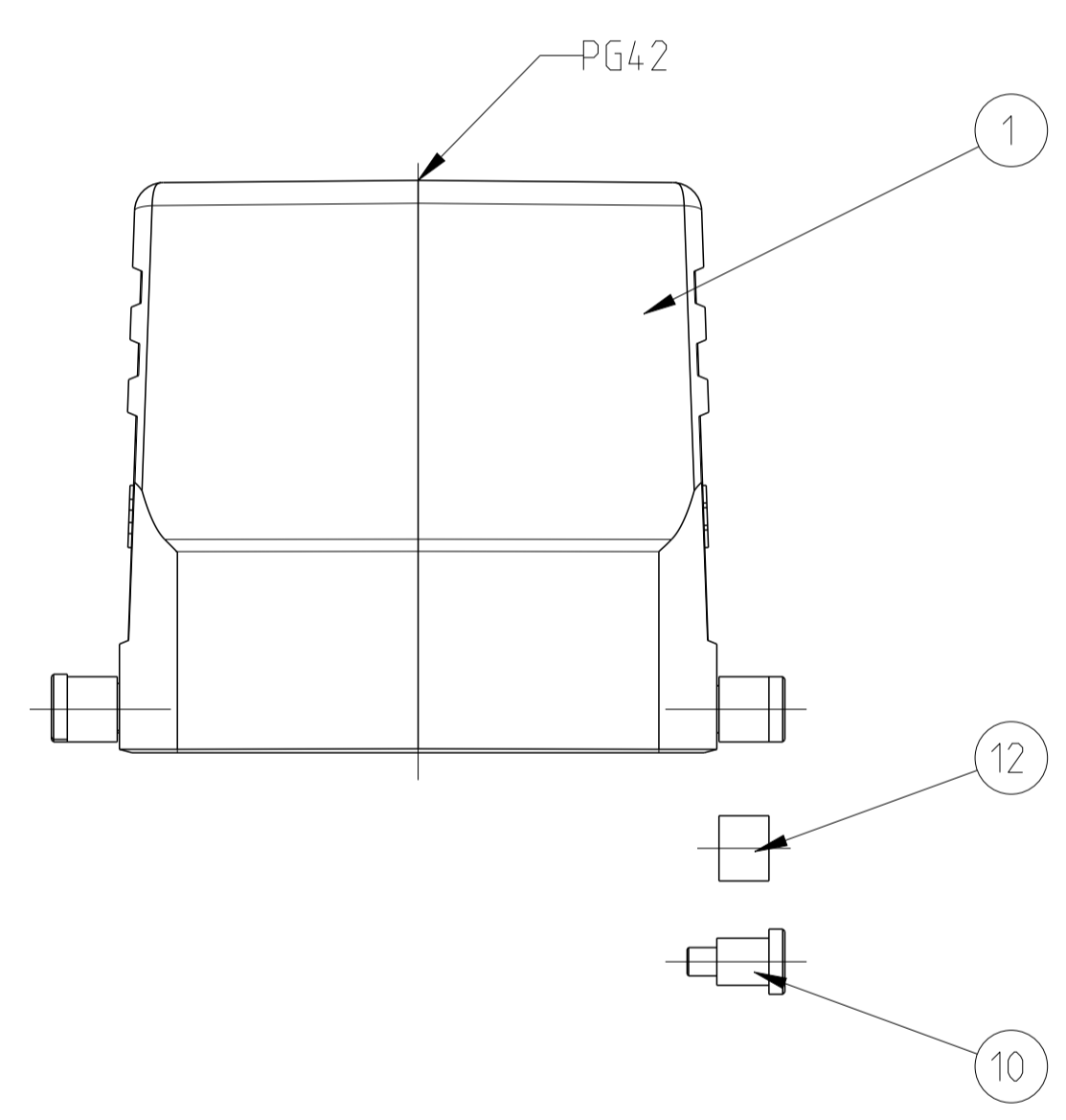
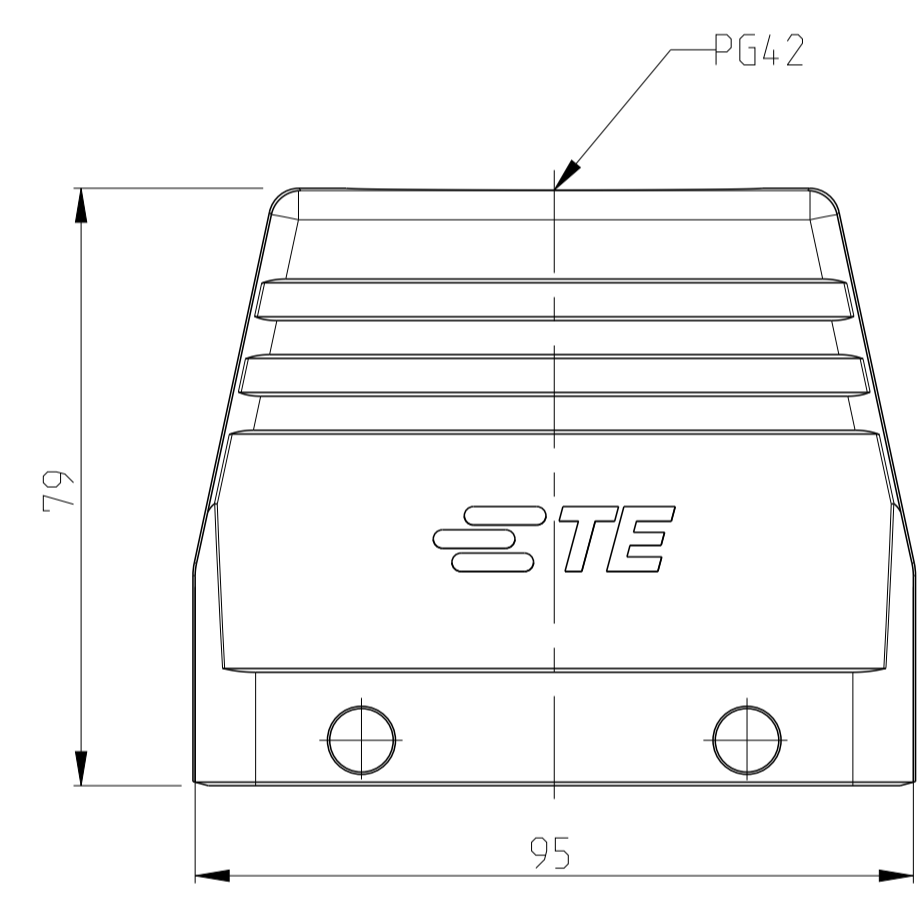
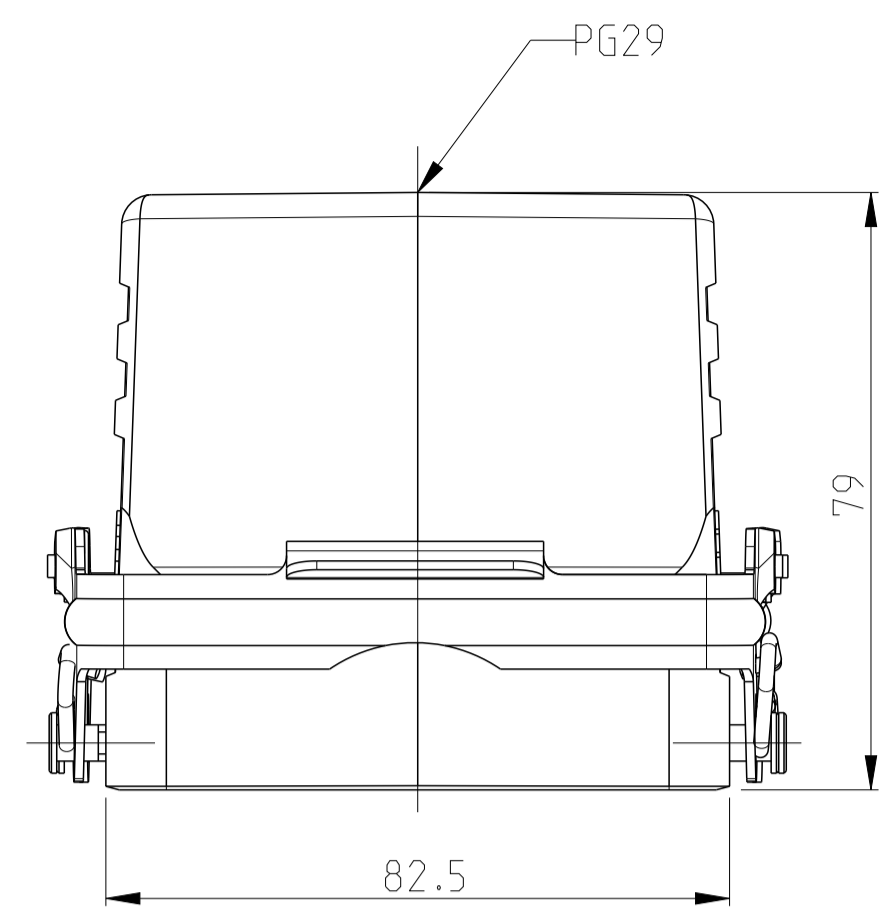
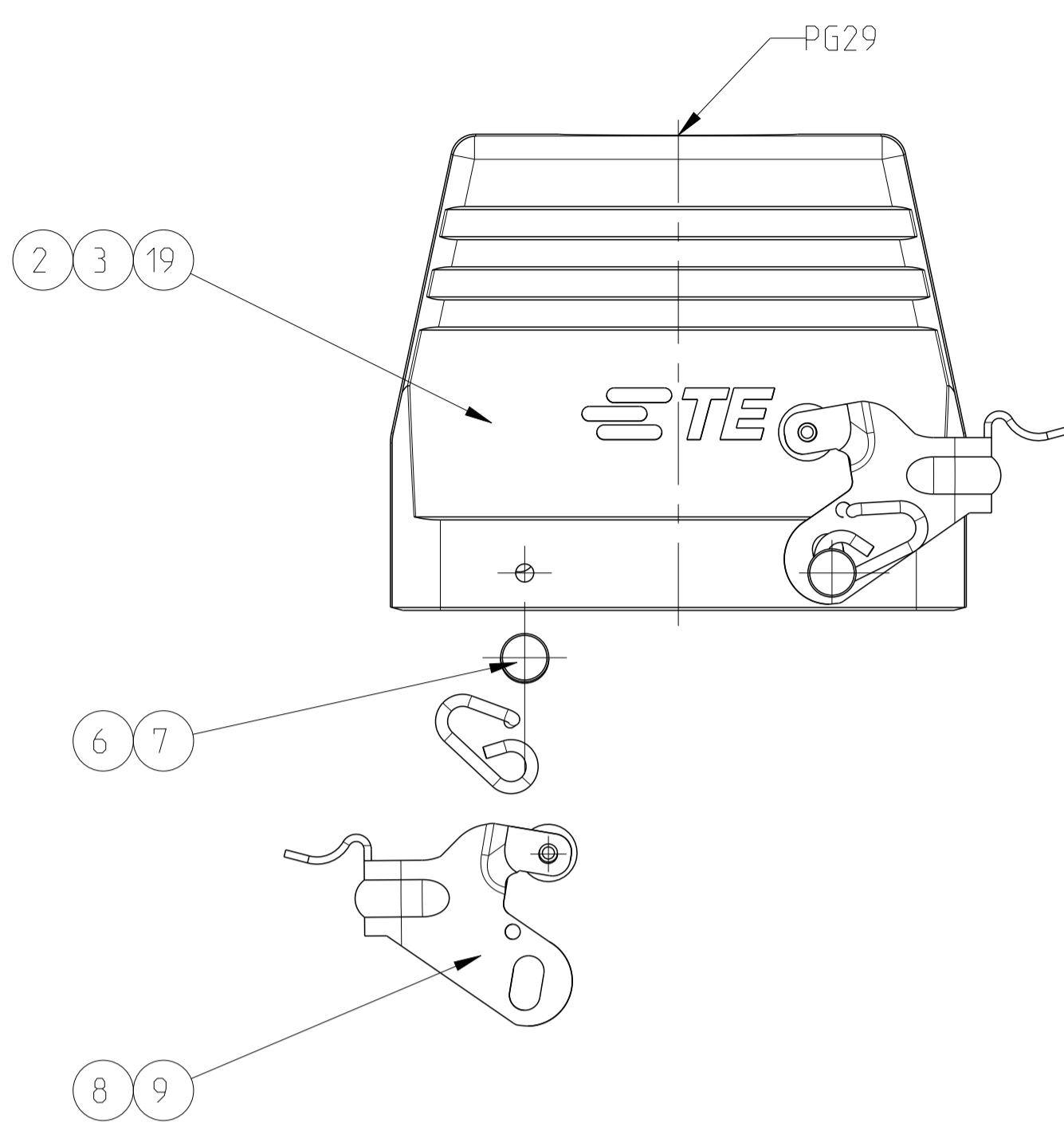


REVISIONS				
P	LTA	DESCRIPTION	DATE	DWN APVD
C3		ECR-16-002308	02MAR2016	GCM JB
C4		ECR-16-015318	18AUG2017	GR MKO
C5		REVISED PER ECR-17-013084	11JAN2018	SRG MKO
C6		ECR-21-123293	24FEB2022	RK JB



- NOTES
- PART SHALL BE FREE AND CLEAN OF BURRS AND OTHER FOREIGN MATERIAL
  - PACKAGING: QUANTITY 3 PIECES
  - VARNISHING INSIDE HOUSING NOT REQUIRED

QTY	REV	DESCRIPTION	MATERIAL	SURFACE	COLOR	ITEM	NOTES							
1		HOOD	ALUMINIUM		GREY	20								
1		HOOD	ALUMINIUM		GREY	19								
2		CLIP SPRING RIGHT	STEEL	ZINC PLATED	BLUE	18								
2		CLIP SPRING RIGHT	STEEL	ZINC PLATED	BLUE	17								
2		CLIP SPRING LEFT	STAINLESS STEEL	BLANC		16								
2		CLIP SPRING LEFT	STEEL	ZINC PLATED	BLUE	15								
2		CLIP BOLT LB	STAINLESS STEEL	BLANC		14								
4		CLIP BOLT VS	STEEL	ZINC PLATED	BLUE	13								
2		SLIDE SPOOL	STAINLESS STEEL	BLANC		12								
2		CLIP BOLT	STAINLESS STEEL	BLANC		11								
2		CLIP BOLT	STAINLESS STEEL	BLANC		10								
2		LOCKING CLIP	STEEL	ZINC PLATED	BLUE	9								
2		LOCKING CLIP	STEEL	ZINC PLATED	BLUE	8								
2		CLIP POSITIONER				7								
2		CLIP POSITIONER				6								
1		HOOD	ALUMINIUM	ALUMINIUM OXID	BLACK	5	NEUTRAL							
1		HOOD	ALUMINIUM		GREY	4								
1		HOOD	ALUMINIUM	ALUMINIUM OXID	BLACK	3								
1		HOOD	ALUMINIUM		GREY	2	NEUTRAL							
1		HOOD	ALUMINIUM		GREY	1								
0-3	0+2	2-7	1+7	2-6	1-6	2-1	1+1	0+1	DESCRIPTION	MATERIAL	SURFACE	COLOR	ITEM	NOTES
									HB.32.STO.1.42.G					
									HB.32.STO-VS.1.29.G					
									HB-K.32.STO-VS.1.29.G					
									HB.32.STO.1.29.G					
									HB-K.32.STO.1.29.G					
									HB.32.STO-GR.1.29.G					
									HB-K.32.STO-GR.1.29.G					
									HB.32.ST					
									HB.32.ST-GR					

THIS DRAWING IS A CONTROLLED DOCUMENT. DWN: R.SCHNEIDER 12MAY2009  
 CHK: T.SCHNURPFEL 12MAY2009

STE TE Connectivity

NAME: HOOD  
 PRODUCT SPEC: HB.32.STO  
 APPLICATION SPEC: -

SIZE: A1 CAGE CODE: 00779 DRAWING NO: 1102351  
 SCALE: 1:1 SHEET 1 OF 1 REV: C6

MATERIAL: - FINISH: -

TOLERANCES UNLESS OTHERWISE SPECIFIED:  
 0 PLC # # # #  
 1 PLC # # # #  
 2 PLC # # # #  
 3 PLC # # # #  
 4 PLC # # # #  
 ANGLES # # # #  
 FINISH # # # #

CUSTOMER DRAWING