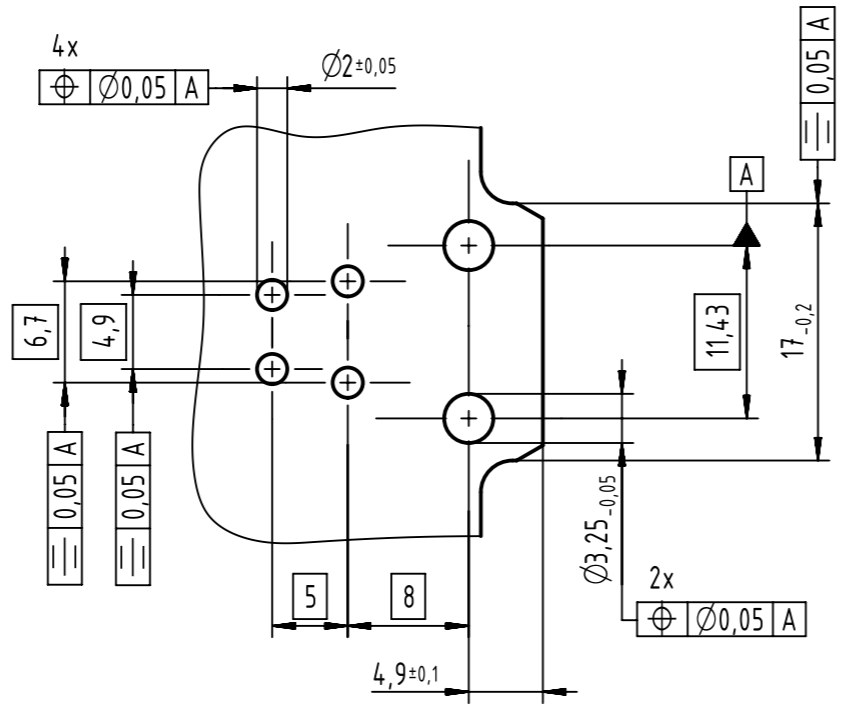
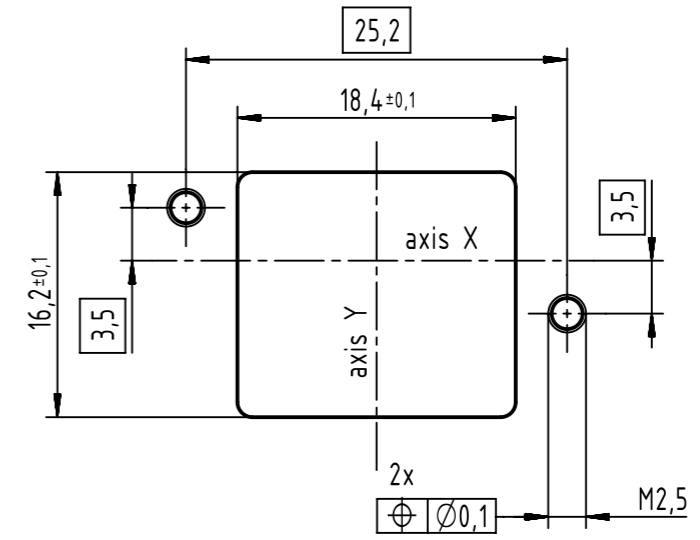


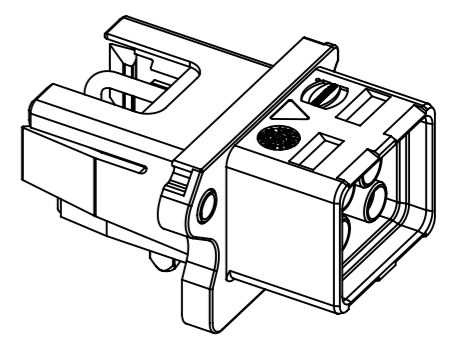
PCB layout



panel cutting



connector pitch on panel:
axis X = 27mm and axis Y = 21mm
panel thickness = max. 5.5mm



1 2x M2.5; screws acc. to ISO 4762;
please order separately; bolting torque 0.3Nm - 0.5Nm

further information see: DS 09466101400

	All Dimensions in mm Original Size DIN A3		Scale 2:1	Free size tol.		Ref. Sub. TB 09462454020 / ECM 500000117442 / 2017-04-07	
	All rights reserved Department EC PD - DE		Created by HASELOH	Inspected by LUECKEMEIERM	Standardisation HOFFMANN	Date 2017-10-06	State Final Release
HARTING Electronics GmbH D-32339 Espelkamp		Title HARTING PushPull V4 Compact Housing 48V/12A				Doc-Key / ECM-Nr. 100671824/UGD/000/C 500000126225	
		Type TB	Number 09462454020		Rev. C	Page 1/1	