

MATERIALS AND FINISHES

BODY ZINC  
PLATED TIN

CENTER CONTACT BRASS  
PLATED GOLD

OUTER CASING HIGH  
TEMPERATURE PLASTIC  
KEYING SEE TABLE  
COLOR SEE TABLE

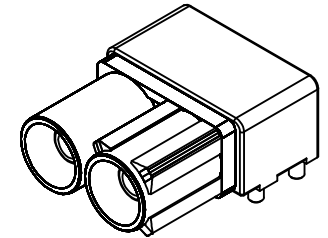
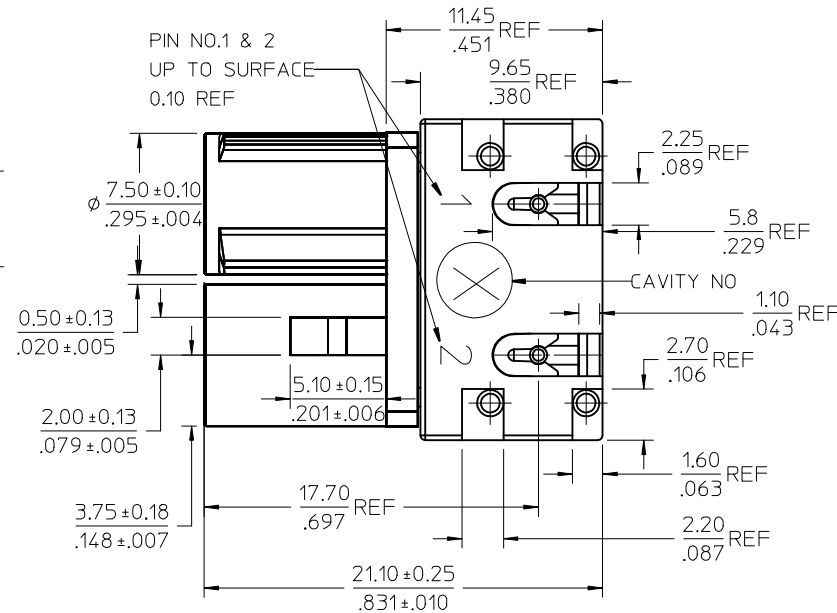
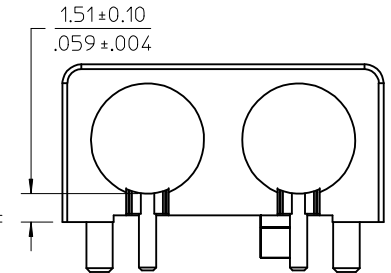
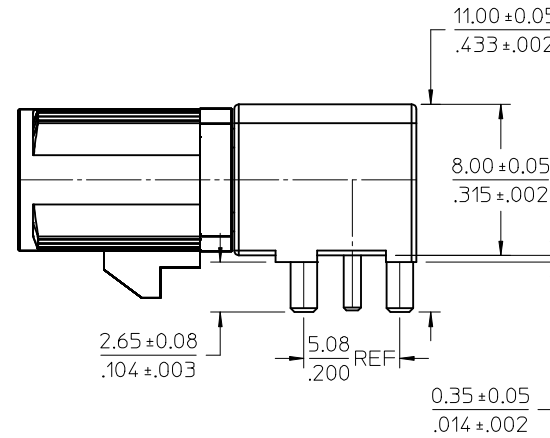
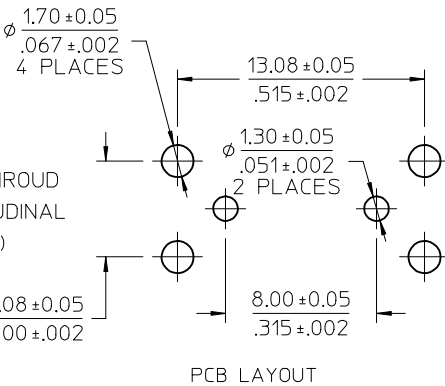
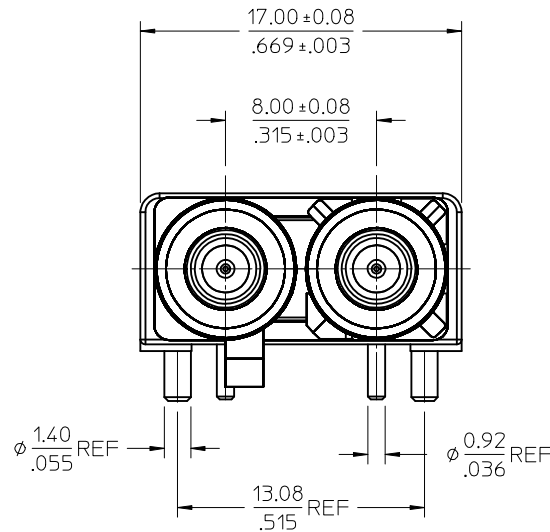
INSULATOR PA46

CAP BRASS  
PLATED NICKEL

PACKAGING BY TRAY

RETENTION SPECIFICATION

THE FAKRA CONNECTOR SHROUD  
WILL WITHSTAND A LONGITUDINAL  
FORCE OF 110 N (24.75 LBS)



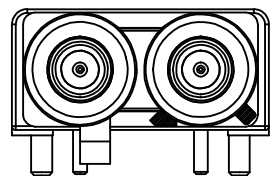
PS-89675-3310	PRODUCT SPECIFICATION
MIL-STD-348A, FIG. 311.1	INTERFACE SPECIFICATION
SPECIFICATION	DESCRIPTION

CHG: NEW RELEASED EC NO: URF2010-0019 DRWN: MCHANOS CHKD: 2009/07/14 APPR: MHIUANG 2009/07/14 2009/07/14	QUALITY SYMBOLS
	▼=0
	▽=0
	DESCRIPTION
	REV

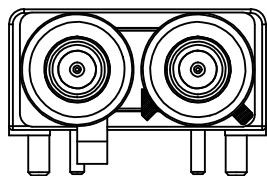
GENERAL TOLERANCES (UNLESS SPECIFIED)
4 PLACES ± --- ± ---
3 PLACES ± --- ± ---
2 PLACES ± --- ± ---
1 PLACE ± --- ± ---
ANGULAR ± 2 °
DRAFT WHERE APPLICABLE MUST REMAIN WITHIN DIMENSIONS

DIMENSION STYLE	SCALE
MM/IN	METRIC
DRAWN BY	DATE
JOYCE	2009/04/27
CHECKED BY	DATE
KERRIE	2009/04/27
APPROVED BY	DATE
MISEN	2009/04/27
MATERIAL NO.	DOCUMENT NO.
SEE TABLE	SD-73403-529

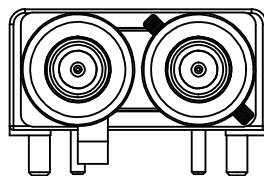
DESIGN UNITS	THIRD ANGLE PROJECTION
METRIC	
SMB JACK, FAKRA DUAL R/A PCB, UPSIDE DOWN 50 OHMS, SMB-J/PCB	
MOLEX INCORPORATED	
SHEET NO.	1 OF 2
THIS DRAWING CONTAINS INFORMATION THAT IS PROPRIETARY TO MOLEX INCORPORATED AND SHOULD NOT BE USED WITHOUT WRITTEN PERMISSION	



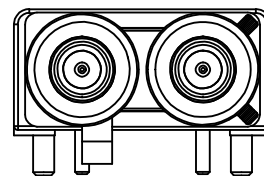
CODE-A



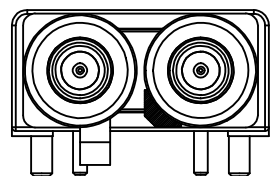
CODE-B



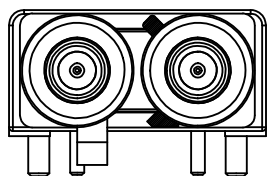
CODE-C



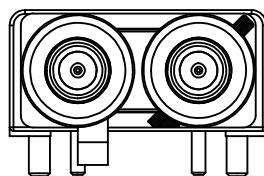
CODE-D



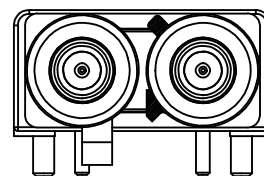
CODE-E



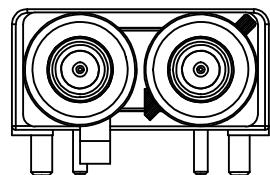
CODE-F



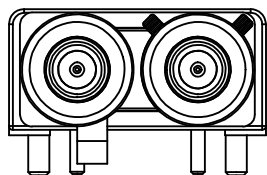
CODE-G



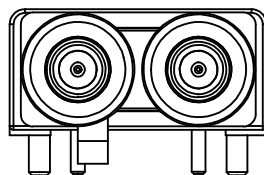
CODE-H



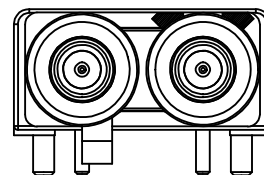
CODE-I



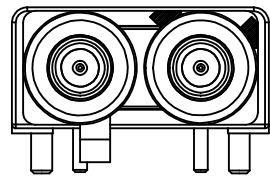
CODE-K



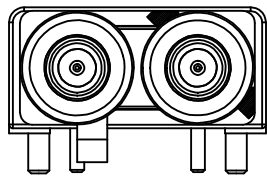
CODE-Z



CODE-L



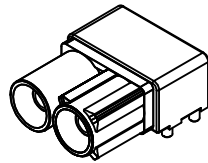
CODE-M



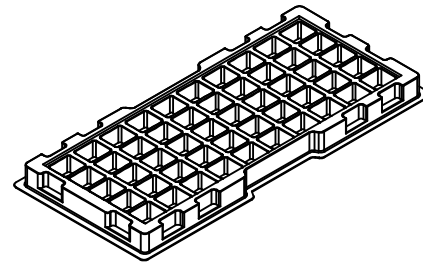
CODE-N

N	PASTEL GREEN	73403-5303
M	PASTEL ORANGE	73403-5302
L	CARMINE RED	73403-5301
Z	WATER BLUE	73403-5300
K	CURRY YELLOW	73403-5299
I	BEIGE	73403-5298
H	VIOLET	73403-5297
G	GRAY	73403-5296
F	BROWN	73403-5295
E	GREEN	73403-5294
D	BORDEAUXVIOLET	73403-5293
C	BLUE	73403-5292
B	CREAM WHITE	73403-5291
A	BLACK	73403-5290
KEYING CODE	COLOR	PART NO.

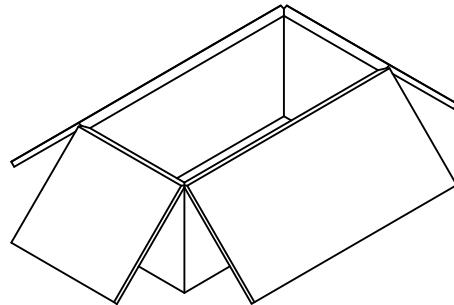
SEE SHEET 1 EC NO: URF2010-0019 DRAWN: CHANOS 2009/07/14 CHKD: 2009/07/14 APPR: MHIANG 2009/07/14	QUALITY SYMBOLS ▽=0 ▽=0	GENERAL TOLERANCES (UNLESS SPECIFIED) <table border="1"> <tr> <td></td> <td>mm</td> <td>INCH</td> </tr> <tr> <td>4 PLACES</td> <td>± ---</td> <td>± ---</td> </tr> <tr> <td>3 PLACES</td> <td>± ---</td> <td>± ---</td> </tr> <tr> <td>2 PLACES</td> <td>± ---</td> <td>± ---</td> </tr> <tr> <td>1 PLACE</td> <td>± ---</td> <td>± ---</td> </tr> </table>		mm	INCH	4 PLACES	± ---	± ---	3 PLACES	± ---	± ---	2 PLACES	± ---	± ---	1 PLACE	± ---	± ---	DIMENSION STYLE MM/IN	SCALE DESIGN UNITS METRIC	THIRD ANGLE PROJECTION
		mm	INCH																	
	4 PLACES	± ---	± ---																	
	3 PLACES	± ---	± ---																	
2 PLACES	± ---	± ---																		
1 PLACE	± ---	± ---																		
REV A	DESCRIPTION	DRAFT WHERE APPLICABLE MUST REMAIN WITHIN DIMENSIONS	DRAWN BY JOYCE	DATE 2009/04/27	TITLE SMB JACK, FAKRA DUAL R/A PCB, UPSIDE DOWN 50 OHMS, SMB-J/PCB															
			CHECKED BY KERRIE	DATE 2009/04/27	MOLEX INCORPORATED															
			APPROVED BY MISEN	DATE 2009/04/27	MATERIAL NO. SEE TABLE															
					DOCUMENT NO. SD-73403-529															
					SHEET NO. 2 OF 2															
					THIS DRAWING CONTAINS INFORMATION THAT IS PROPRIETARY TO MOLEX INCORPORATED AND SHOULD NOT BE USED WITHOUT WRITTEN PERMISSION															



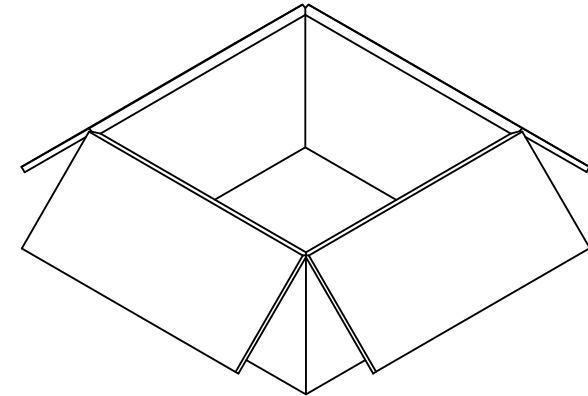
P/N 73403-529X



50 SET PER TRAY  
 TRAY P/N 89707-0343  
 OUTSIDE DIMENSION  
 360MM REF X 165MM REF X 22MM REF



400 SET PER INNER  
 CARTON BOX  
 P/N 96707-0001  
 OUTSIDE DIMENSION  
 371MM REF X 184MM REF X 192MM REF



800 SET PER OUTER  
 CARTON BOX  
 P/N 96708-0005  
 OUTSIDE DIMENSION  
 394MM REF X 391MM REF X 212MM REF

CHG: NEW RELEASED  
 PER PDR0904267

REV	EC NO: URF2010-0019	2009/07/14	DESCRIPTION
	DRWINCHAN05	2009/07/14	
	CHKD:	2009/07/14	
	APPR:MHUANG	2009/07/14	

QUALITY SYMBOLS
▽=0
▽=0

GENERAL TOLERANCES (UNLESS SPECIFIED)	
	mm INCH
4 PLACES	± --- ± ---
3 PLACES	± --- ± ---
2 PLACES	± --- ± ---
1 PLACE	± --- ± ---
ANGULAR ± 2 °	
DRAFT WHERE APPLICABLE MUST REMAIN WITHIN DIMENSIONS	

DIMENSION STYLE	
MM/IN	
DRAWN BY	DATE
JOYCE	2009/04/27
CHECKED BY	DATE
KERRIE	2009/04/27
APPROVED BY	DATE
MISEN	2009/04/27
MATERIAL NO.	-----

SCALE	DESIGN UNITS	THIRD ANGLE PROJECTION
	METRIC	
TITLE		
PACKAGING FOR 73403-529X		
MOLEX INCORPORATED		SHEET NO.
SD-73403-529-PKG		1 OF 1
THIS DRAWING CONTAINS INFORMATION THAT IS PROPRIETARY TO MOLEX INCORPORATED AND SHOULD NOT BE USED WITHOUT WRITTEN PERMISSION		