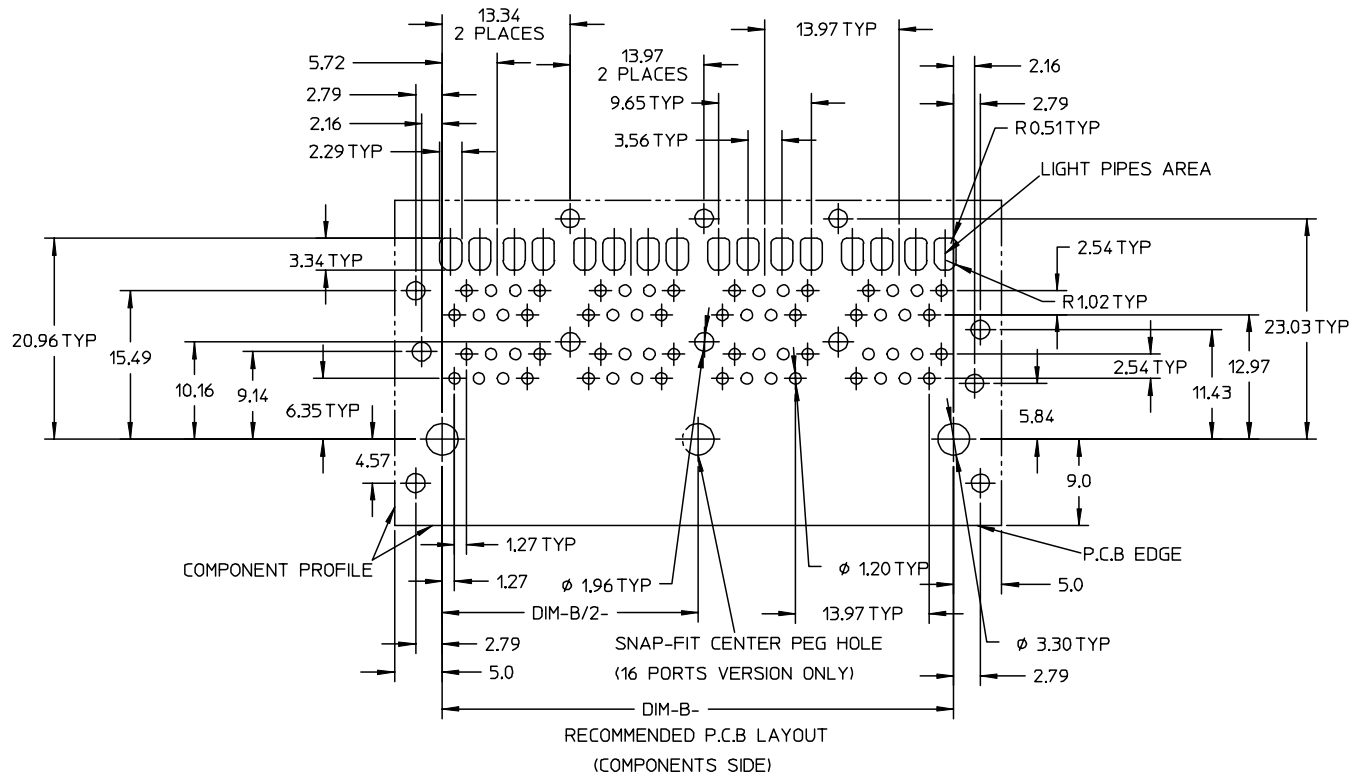


ASSEMBLY MATERIAL No.	No. OF PORTS	PEG STYLE	DIM-A	DIM-B	SIDE PANEL GROUND TABS	INNER GROUND TABS
67838-0001	8 (2X4)	SNAP-FIT	59.18	53.34	YES	YES
67838-2001	8 (2X4)	SNAP-FIT	59.18	53.34	NO	YES
67838-3001	8 (2X4)	SNAP-FIT	59.18	53.34	YES	NO
67838-4001	8 (2X4)	SNAP-FIT	59.18	53.34	NO	NO
67838-0004	8 (2X4)	PRESS-FIT	59.18	53.34	YES	YES
67838-2004	8 (2X4)	PRESS-FIT	59.18	53.34	NO	YES
67838-3004	8 (2X4)	PRESS-FIT	59.18	53.34	YES	NO
67838-4004	8 (2X4)	PRESS-FIT	59.18	53.34	NO	NO
67838-0002	12(2X6)	SNAP-FIT	87.12	81.28	YES	YES
67838-2002	12(2X6)	SNAP-FIT	87.12	81.28	NO	YES
67838-3003	12(2X6)	SNAP-FIT	87.12	81.28	YES	NO
67838-4002	12(2X6)	SNAP-FIT	87.12	81.28	NO	NO
67838-0005	12(2X6)	PRESS-FIT	87.12	81.28	YES	YES
67838-2005	12(2X6)	PRESS-FIT	87.12	81.28	NO	YES
67838-3005	12(2X6)	PRESS-FIT	87.12	81.28	YES	NO
67838-4005	12(2X6)	PRESS-FIT	87.12	81.28	NO	NO
67838-0003	16(2X8)	SNAP-FIT	115.06	109.22	YES	YES
67838-2002	16(2X8)	SNAP-FIT	115.06	109.22	NO	YES
67838-3003	16(2X8)	SNAP-FIT	115.06	109.22	YES	NO
67838-4003	16(2X8)	SNAP-FIT	115.06	109.22	NO	NO
67838-0006	16(2X8)	PRESS-FIT	115.06	109.22	YES	YES
67838-2006	16(2X8)	PRESS-FIT	115.06	109.22	NO	YES
67838-3006	16(2X8)	PRESS-FIT	115.06	109.22	YES	NO
67838-4006	16(2X8)	PRESS-FIT	115.06	109.22	NO	NO

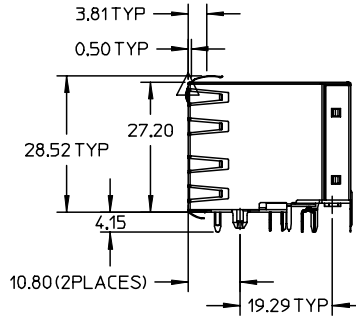
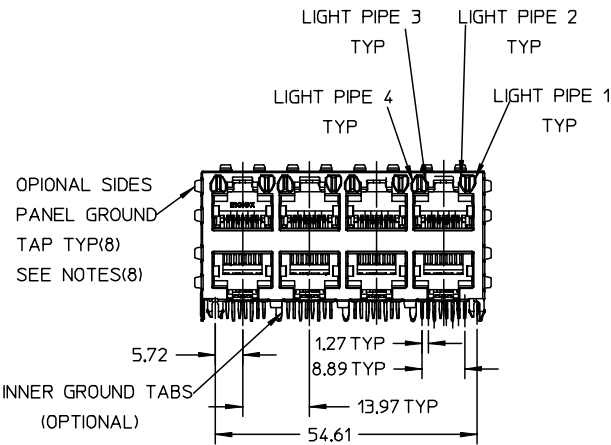
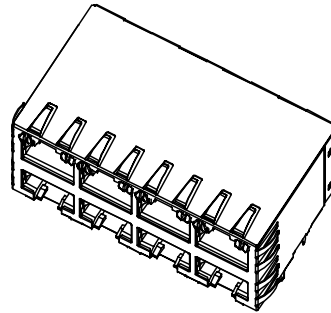
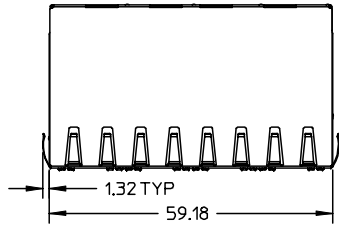
- NOTES:
- MATERIAL:
 - HOUSING: POLYESTER(PBT), GLASS FILLED,UL94V-0.COLOR: BLACK.
 - LIGHT PIPES: POLYCARBONATE,UL94V-0. COLOR: CLEAR.
 - TERMINALS: PHOSPHOR BRONZE.
 - SHIELD: BRASS.
 - PLATING:
 - TERMINALS: 50u" MIN. GOLD PLATE AND 50u" MIN.TIN-LEAD PLATE OVER 50u" MIN. NICKEL UNDERPLATE.
 - SHIELD: SELECTIVE 50u" MIN. TIN-LEAD PLATE AT SOLDERING TAILS OVER 50u" MIN. NICKEL UNDERPLATE.
 - PRODUCT SPECIFICATION: PS-67838-002.
 - PACKAGING: CONNECTOR ASSEMBLE IN THERMOFORMED TRAY.
 - CONNECTORS AVAILABLE WITH EITHER SNAP-FIT OR PRESS-FIT PEGS.
 - CONFORMS TO FCC REGULATION PART 68.5 FOR MODULAR JACKS.
 - P.C.B LAYOUT SHOWN AS RECOMMEND LAYOUT (SHEET 2).
 - AVAILABLE WITH THE (8) PANEL GROUND TABS REMOVE ON EACH SIDE FOR SIDE TO SIDE STACKABILITY.
 - TERMINAL LENGTH MAY BE DIFFERENT FROM TERMINAL TO TERMINAL.

NEW RELEASE EC NO: SH2003-0013 DRWN: GRMA CHK: CHIK APPR: SHUANG	REV DESCRIPTION	QUALITY SYMBOLS	GENERAL TOLERANCES (UNLESS SPECIFIED)	SCALE 1:1	DESIGN UNITS METRIC	THIRD ANGLE PROJECTION	REVISE ON CAD ONLY	
		▼ -0 ▽ -0	mm	INCH	DIMENSION STYLE		TITLE STACKED MODULAR JACK WITH LIGHT PIPES	
			4 PLACES ± ---	± ---	MM ONLY			
			3 PLACES ± ---	± ---	DRAWN BY	DATE		
		2 PLACES ± 0.25	± ---	GRATE MA	2003/04/18	MOLEX INCORPORATED		
		1 PLACE ± 0.3	± ---	CHECKED BY	DATE			
		ANGULAR ± 1/2 °		APPROVED BY	DATE	MATERIAL NO.	DOCUMENT NO.	SHEET NO.
		DRAFT WHERE APPLICABLE		SAM	2003/04/18	SEE CHART	SD-67838-001	1 OF 4
MUST REMAIN WITHIN DIMENSIONS				THIS DRAWING CONTAINS INFORMATION THAT IS PROPRIETARY TO MOLEX INCORPORATED AND SHOULD NOT BE USED WITHOUT WRITTEN PERMISSION				B



- NOTES:
 1. DIMENSION TOLERANCE: .XX+/-0.05
 .X +/-0.3.
 2. DIM-A- SEE THE SHEET 1.

NEW RELEASE EC NO: SH2003-0013 DRWN:GRMA 2003/04/16 CHKD: 2003/04/17 APPR: SHUANG 2003/04/17	QUALITY SYMBOLS	GENERAL TOLERANCES (UNLESS SPECIFIED)		SCALE 1:1	DESIGN UNITS METRIC	THIRD ANGLE PROJECTION	REVISE ON CAD ONLY	
	DESCRIPTION ▼ = 0 ▽ = 0			DIMENSION STYLE MM ONLY		TITLE STACKED MODULAR JACK WITH LIGHT PIPES		
		4 PLACES	± ---	± ---	DRAWN BY DATE GRATE MA 2003/04/18			
		3 PLACES	± ---	± ---	CHECKED BY DATE YAJUN 2003/04/18			
		2 PLACES	± 0.25	± ---	APPROVED BY DATE SAM 2003/04/18			
		1 PLACE	± 0.3	± ---	MATERIAL NO. SEE SHEET 1		DOCUMENT NO. SD-67838-001	
		ANGULAR ± 1/2°		SHEET NO. 2 OF 4				
		DRAFT WHERE APPLICABLE MUST REMAIN WITHIN DIMENSIONS		THIS DRAWING CONTAINS INFORMATION THAT IS PROPRIETARY TO MOLEX INCORPORATED AND SHOULD NOT BE USED WITHOUT WRITTEN PERMISSION				



NOTES:

1.MATERIAL:

HOUSING: POLYESTER(PBT), GLASS FILLED,UL94V-0.COLOR: BLACK.
 LIGHT PIPES: POLYCARBONATE,UL94V-0.COLOR: CLEAR.
 TERMINALS: PHOSPHOR BRONZE.
 SHIELD: BRASS.

2.PLATING:

TERMINALS: 50u" MIN. GOLD PLATE AND 50u" MIN.TIN-LEAD PLATE OVER 50u" MIN. NICKEL UNDERPLATE.
 SHIELD: SELECTIVE 50u" MIN. TIN-LEAD PLATE AT SOLDERING TAILS OVER 50u" MIN. NICKEL UNDERPLATE.

3.PRODUCT SPECIFICATION: PS-67838-002.

4.PACKAGING: CONNECTOR ASSEMBLY IN THERMOFORMED TRAY.

5.CONNECTORS AVAILABLE WITH PRESS-FIT PEGS ONLY.

6.CONFORMS TO FCC REGULATION PART 68.5 FOR MODULAR JACKS.

7.P.C.B LAYOUT SHOWN AS RECOMMEND LAYOUT (SHEET 4).

8.AVAILABLE WITH THE (8) PANEL GROUND TABS REMOVE ON EACH SIDE FOR SIDE TO SIDE STACKABILITY.

9.TERMINAL LENGTH MAY BE DIFFERENT FROM TERMINAL TO TERMINAL.

ASSEMBLY MATERIAL NO.	NO. OF PORTS	PEGS STYLE	SIDE PANEL GROUND TABS	INNER SHIELD GROUND TABS
67838-0104	8(2X4)	SNAP-FIT	YES	YES
67838-3104	8(2X4)	SNAP-FIT	NO	YES
67838-3104	8(2X4)	SNAP-FIT	YES	NO
67838-4104	8(2X4)	SNAP-FIT	NO	NO

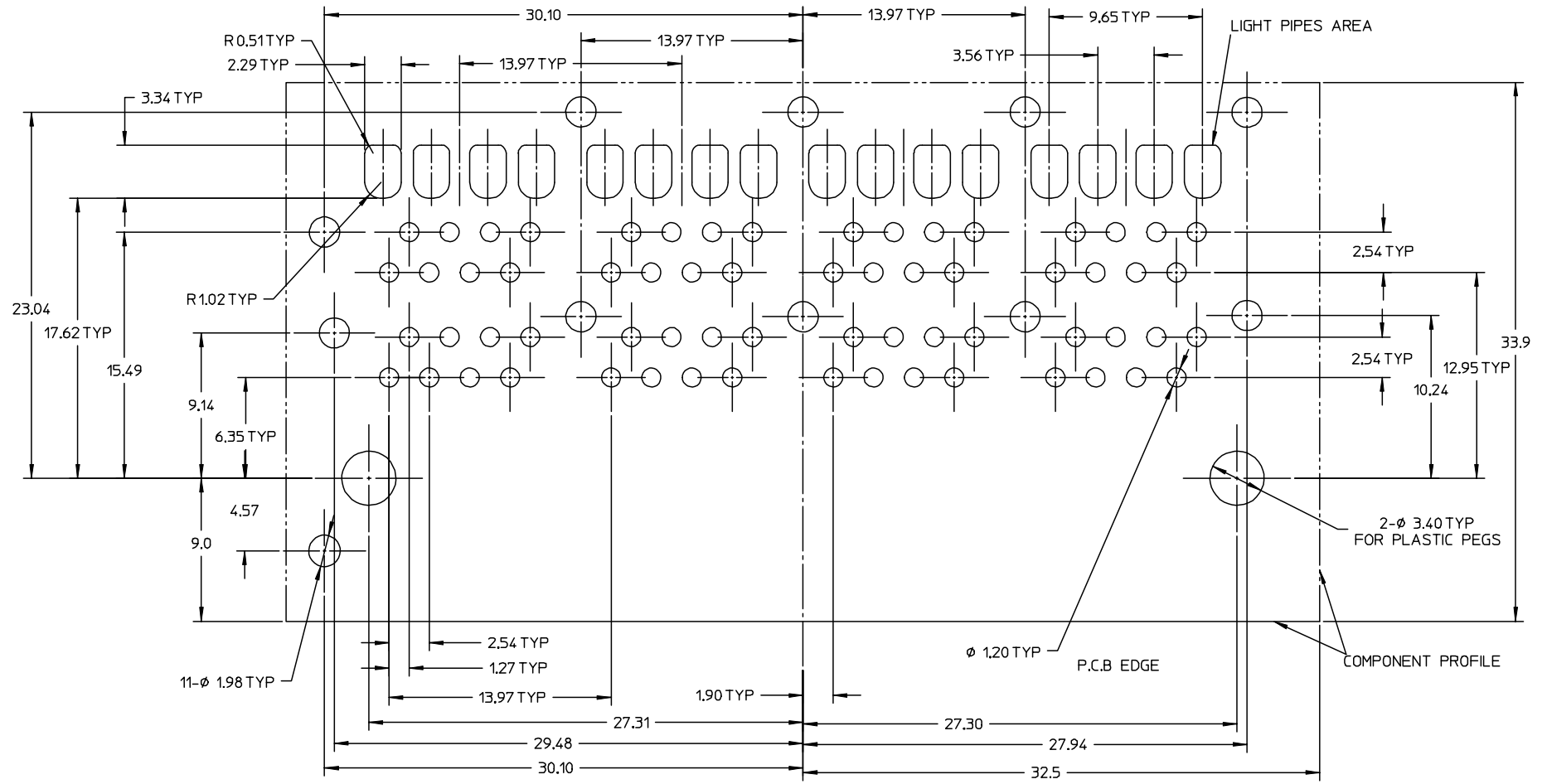
NEW RELEASE
 EC NO: SH2003-0013
 DRWN:GRMA 2003/04/16
 CHKD: 2003/04/17
 APPR: SHUANG 2003/04/17

QUALITY SYMBOLS	DESCRIPTION
▽ = 0	
▽ = 0	

	GENERAL TOLERANCES (UNLESS SPECIFIED)	
	mm	INCH
4 PLACES	± ---	± ---
3 PLACES	± ---	± ---
2 PLACES	± 0.25	± ---
1 PLACE	± 0.3	± ---
ANGULAR ±1/2°		
DRAFT WHERE APPLICABLE		
MUST REMAIN WITHIN DIMENSIONS		

SCALE	DESIGN UNITS
1:1	METRIC
DIMENSION STYLE	
MM ONLY	
DRAWN BY	DATE
GRATE MA	2003/04/18
CHECKED BY	DATE
YAJUN	2003/04/18
APPROVED BY	DATE
SAM	2003/04/18

THIRD ANGLE PROJECTION	REVISE ON CAD ONLY
TITLE	
STACKED MODULAR JACK WITH LIGHT PIPES	
MATERIAL NO. DOCUMENT NO. SHEET NO.	
SEE CHART SD-67838-001 3 OF 4	
THIS DRAWING CONTAINS INFORMATION THAT IS PROPRIETARY TO MOLEX INCORPORATED AND SHOULD NOT BE USED WITHOUT WRITTEN PERMISSION	



RECOMMENDED P.C.B LAYOUT
COMPONENT SIDE

- NOTES:
1. DIMENSION TOLERANCE: .XX+/-0.05
X +/-0.3.
 2. DIM-A- SEE THE SHEET 1.

<p>NEW RELEASE</p> <p>EC NO: SH2003-0013 DRWN:GRMA 2003/04/16 CHKD: 2003/04/17 APPR: SHUANG 2003/04/17</p>	QUALITY SYMBOLS	GENERAL TOLERANCES (UNLESS SPECIFIED)	SCALE 1:1	DESIGN UNITS METRIC	THIRD ANGLE PROJECTION	REVISE ON CAD ONLY													
	<p>DESCRIPTION</p> <p>▽ = 0</p> <p>∇ = 0</p>	<table border="1"> <thead> <tr> <th></th> <th>mm</th> <th>INCH</th> </tr> </thead> <tbody> <tr> <td>4 PLACES</td> <td>± ---</td> <td>± ---</td> </tr> <tr> <td>3 PLACES</td> <td>± ---</td> <td>± ---</td> </tr> <tr> <td>2 PLACES</td> <td>± 0.25</td> <td>± ---</td> </tr> <tr> <td>1 PLACE</td> <td>± 0.3</td> <td>± ---</td> </tr> </tbody> </table>		mm	INCH	4 PLACES	± ---	± ---	3 PLACES	± ---	± ---	2 PLACES	± 0.25	± ---	1 PLACE	± 0.3	± ---	DIMENSION STYLE MM ONLY	TITLE STACKED MODULAR JACK WITH LIGHT PIPES
			mm	INCH															
		4 PLACES	± ---	± ---															
	3 PLACES	± ---	± ---																
2 PLACES	± 0.25	± ---																	
1 PLACE	± 0.3	± ---																	
DRAFT WHERE APPLICABLE	APPROVED BY SAM	DATE 2003/04/18	MATERIAL NO. SEE SHEET 3	DOCUMENT NO. SD-67838-001	SHEET NO. 4 OF 4														
REV A	MUST REMAIN WITHIN DIMENSIONS	THIS DRAWING CONTAINS INFORMATION THAT IS PROPRIETARY TO MOLEX INCORPORATED AND SHOULD NOT BE USED WITHOUT WRITTEN PERMISSION																	