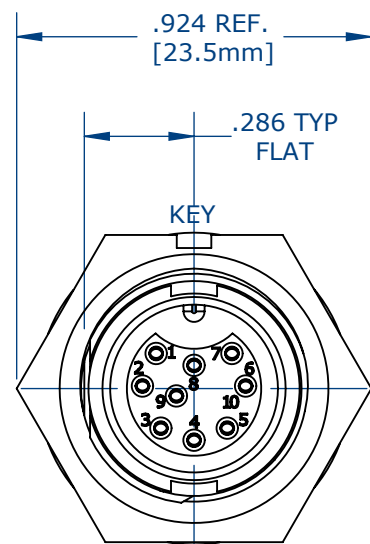


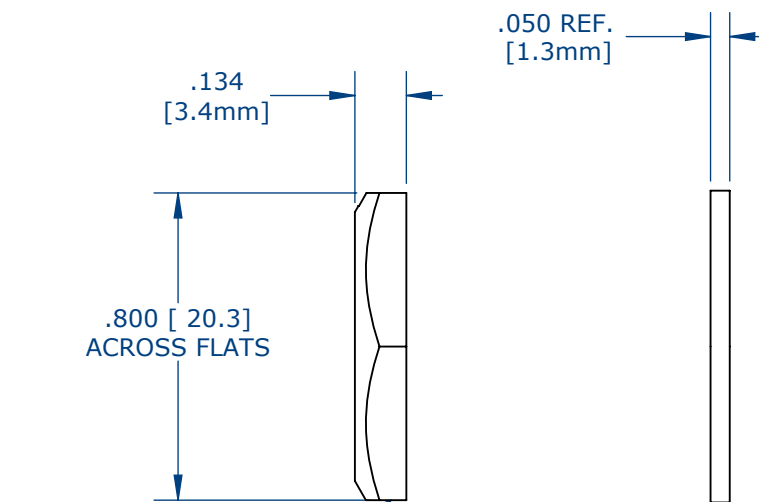
NOTES:

1. PC TAIL CONTACTS ARE INSTALLED INTO CONNECTOR (SHOWN)
2. ALL DIMENSIONS ARE FOR REFERENCE.

ASS'Y P/N	EPOXY
X7881-9SG-300	NO
X7881-9SG-3ES	YES



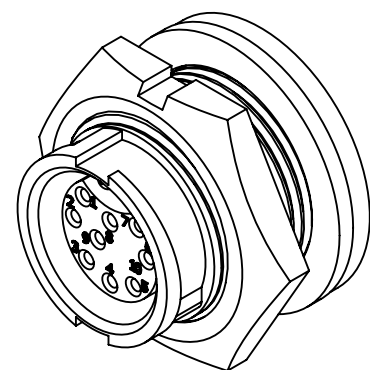
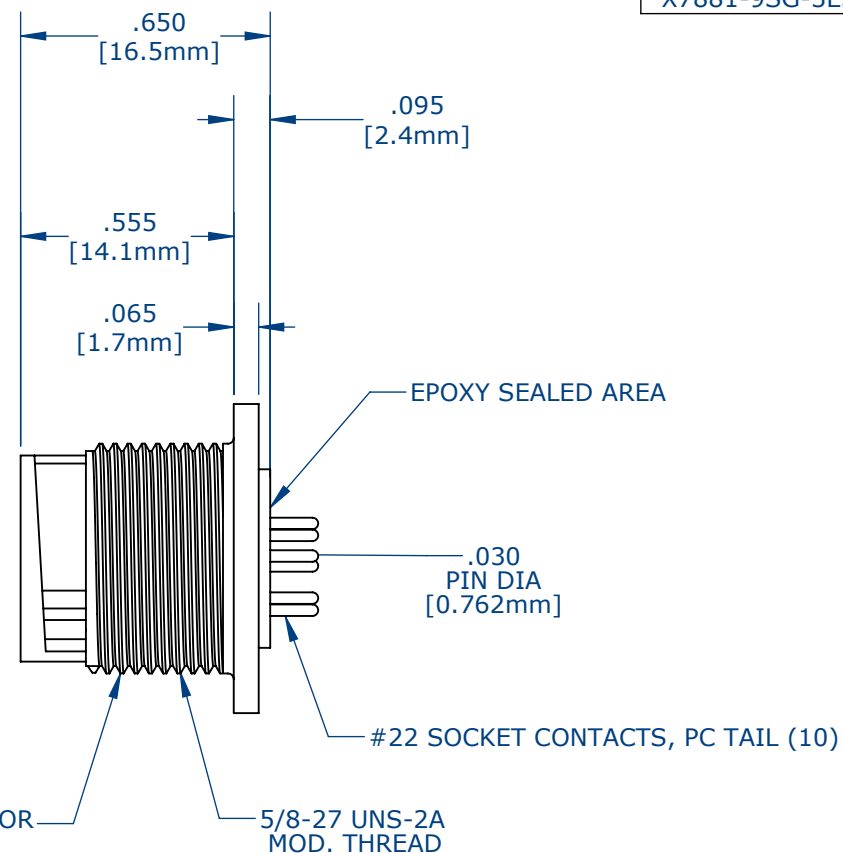
FACE VIEW
W7881-9SG-300 SHOWN



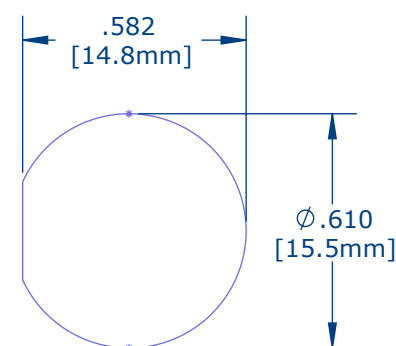
HEX NUT
0.924IN ACROSS EDGE

RUBBER GASKET

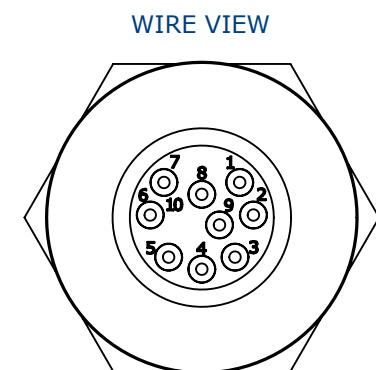
PANEL CONNECTOR



ASSEMBLED VIEW
FOR CUSTOMER REFERENCE



RECOMMENDED
PANEL CUT-OUT
TOLERANCE: ±.003



WIRE VIEW

CUSTOMER DRAWING

CUSTOMER APPROVAL

THIS DOCUMENT CONTAINS CONFIDENTIAL INFORMATION PROPRIETARY TO CONXALL CORPORATION. ANY REPRODUCTION, DISCLOSURE, OR USE OF THIS DOCUMENT /INFORMATION IS EXPRESSLY PROHIBITED UNLESS AUTHORIZED IN WRITING BY CONXALL CORPORATION.

APPROVED BY: _____

DATE: _____

0A	AM	08/09/16	FIRST DRAWN
REV.	INIT.	DATE	DESCRIPTION
	AM	08/9/16	ORIG. DRAWN BY: DATE: CHECKED BY:
ALL INFORMATION ILLUSTRATED IS THE PROPERTY OF "CONXALL CORPORATION." UNAUTHORIZED DUPLICATION OR DISTRIBUTION OF THIS DOCUMENT IS PROHIBITED.			<p>601 E. WILDWOOD VILLA PARK, IL 60181</p>
<small>ALL UNITS ARE IN FEET, INCHES, FRACTION OF INCHES AND DECIMALS. UNLESS OTHERWISE SPECIFIED TOLERANCES: 3 PLACE DECIMALS ±.005 ANGLES ±1° FRACTIONS ±1/16 △ = CRITICAL CHARACTERISTIC FLAG PER SPEC. XXXX</small>			
APPROVED BY:		TITLE: PANEL CONNECTOR ASSEMBLY (9) #22, SOCKET CONTACT PC TAIL MINI-CON-X	
SCALE: NTS	SIZE: B	SHEET: 1 OF 1	CUSTOMER: STANDARD PRODUCT
FILE:	DIRECTORY: SLW	PART NUMBER: W7881-9SG-300	REV 0A